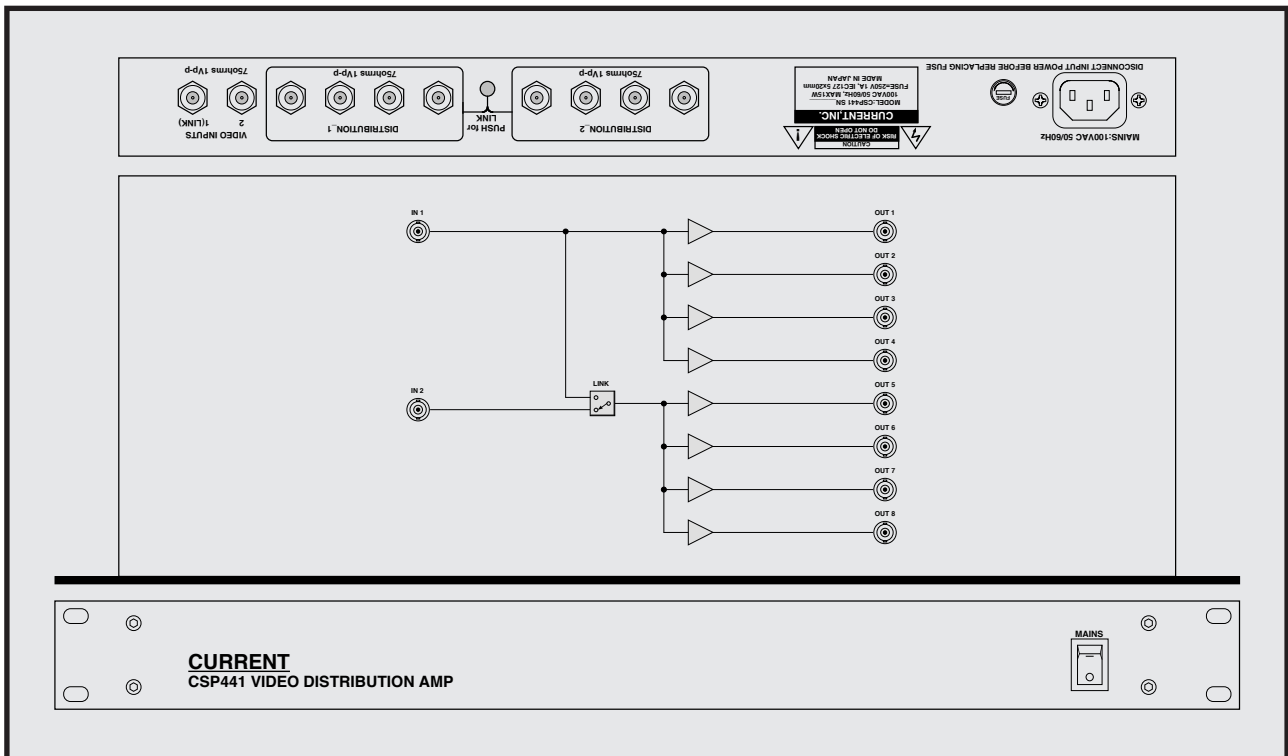


CURRENT PRODUCTS model:CSP441

VIDEO DISTRIBUTOR



Dual 1:4 video distribution
 1:8 switchover function
 Easy installation
 19 inches 1U size

CSP441 is the video distributor which can switch 1:4x2 or 1:8. Each distribution output is driven with an independent amplifier, and distribution of high quality is possible.

"Mode switch"

It can easily switch the distribution mode with a switch of the rear panel.

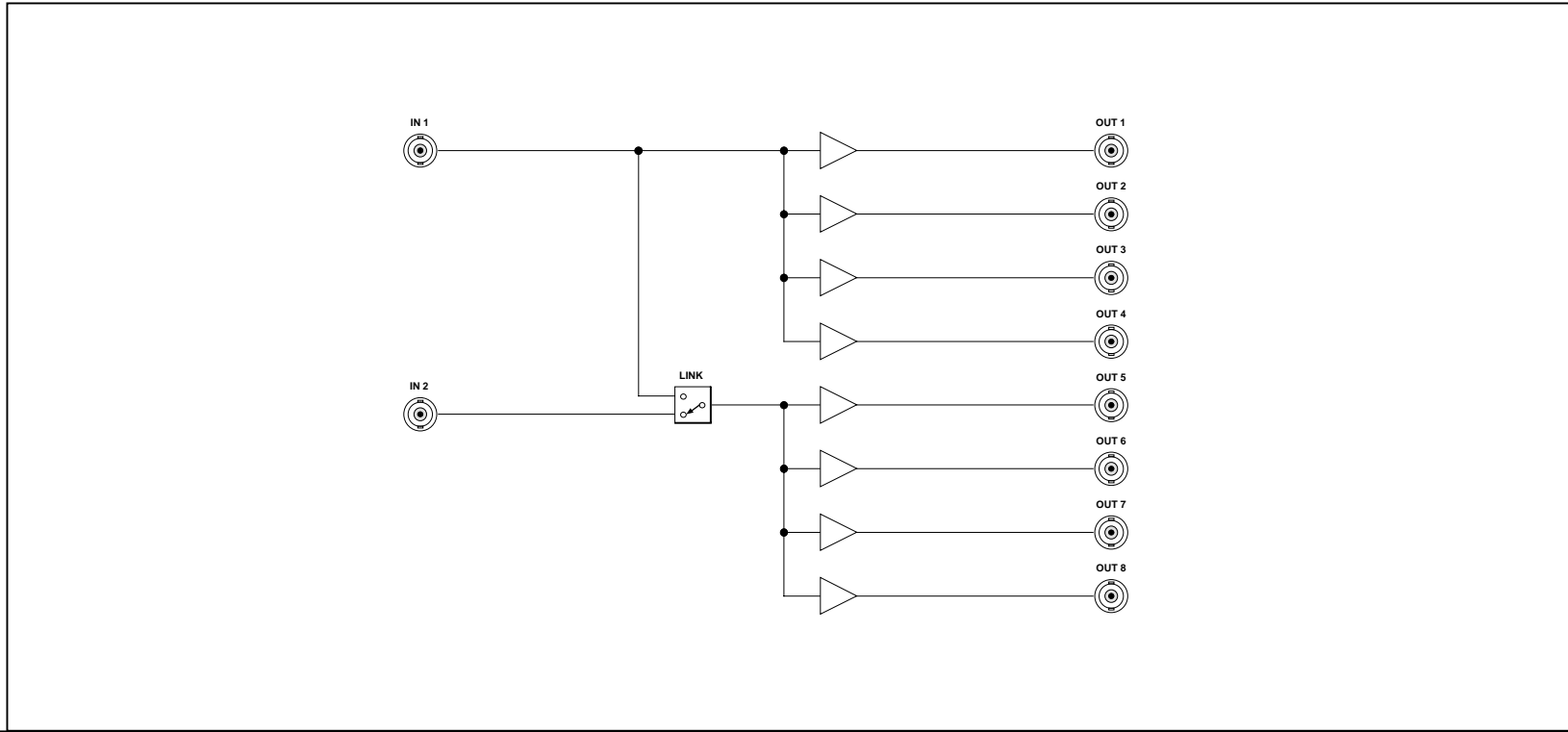
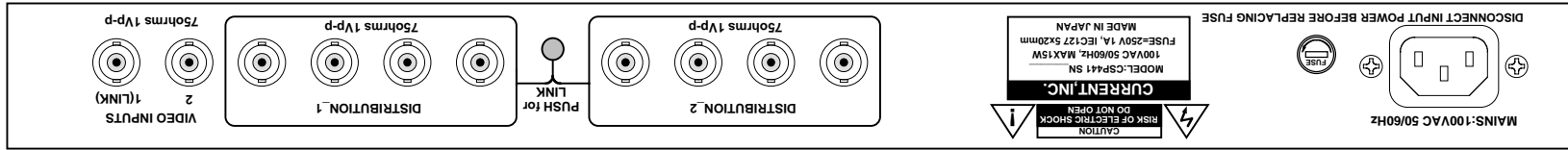
"Others"

Please refer about the distribution format of the non-standard of CSP441.

SPECIFICATIONS

- 🍏 INPUTS IMPEDANCE: 75Ω 1Vp-p
- 🍏 INPUTS CONNECTORS: BNC
- 🍏 OUTPUTS IMPEDANCE: 75Ω 1Vp-p
- 🍏 OUTPUTS CONNECTORS: BNC
- 🍏 MODE: 1:4 x2 or 1:8 SELECTABLE
- 🍏 MAINS: 100VAC 50/60Hz MAX=10W
- 🍏 DIMENSIONS: 482WX44HX303D, 4Kg

Video distributor	CSP441	¥198,000
accessory : AC cable		



302.6



44

482

(c)CURRENT,INC.	CSP441 VIDEO DISTRIBUTION AMP	MAY 98
H.ICHIHASHI	PANEL DIAGRAM	CSP441-D