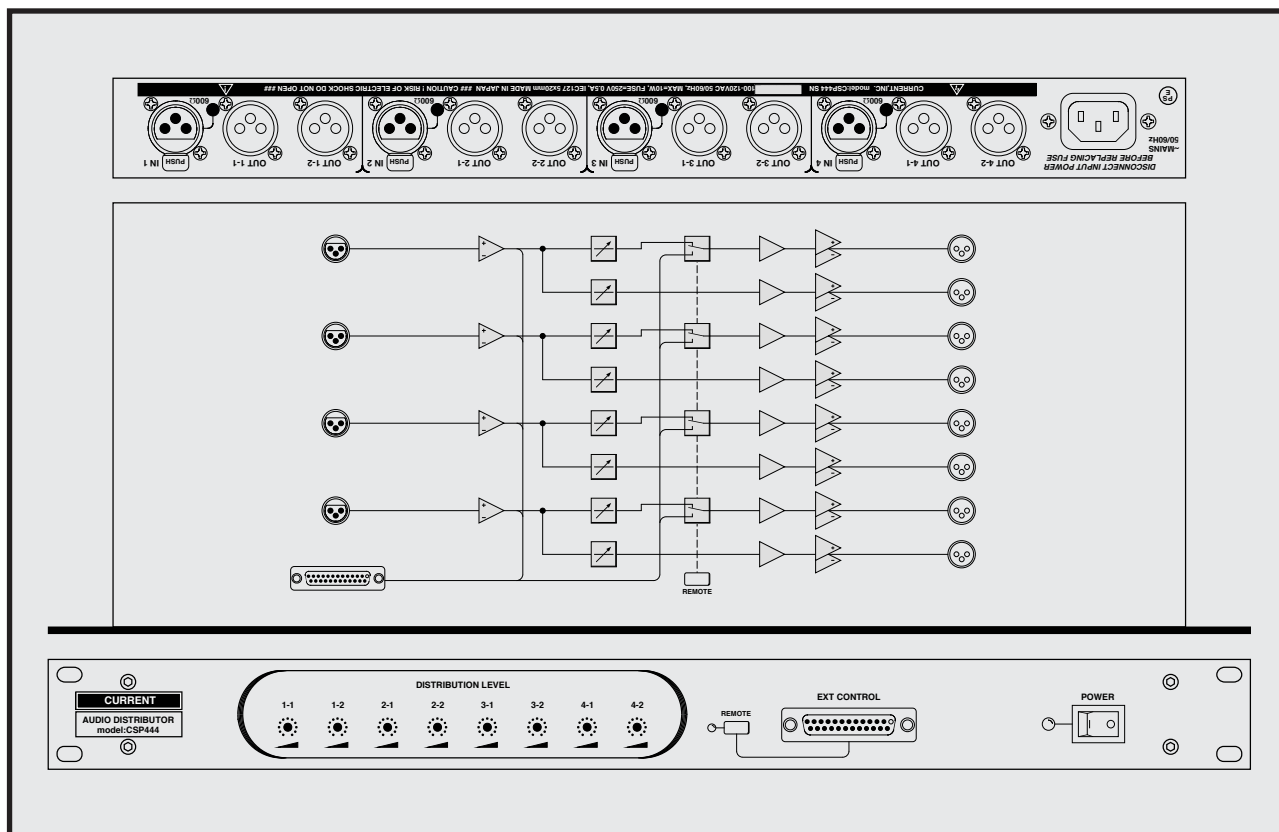


CURRENT PRODUCTS model:CSP444

1:2x4 AUDIO DISTRIBUTION AMP



- Four 1:2 audio distribution
- Super low noise
- Remote volume
- All outputs with $\pm 10\text{dB}$ trim
- XLR connector for input and output
- Drive 600Ω line
- 19 inches 1U size

CSP444 is an audio distribution amplifier of high-quality sound which implemented four 2 distribution circuits. It provides with the XLR connector of balance specifications with the input and output, and there is a variable of the about $\pm 10\text{dB}$ in a trim of the front panel.

"Distribution"

CSP444 provides in four 2 audio distribution circuits and each output is independent and can make level setting. There is a variable by default in the range of $\pm 10\text{dB}$ in a trim of the front panel. Please refer about the different specifications.

"Input impedance"

It can switch 1-4 to 600Ω with a push button of the rear panel individually.

"Remote"

As for output 1 of each distribution, level control is possible by the remote volume in place of a trim of the front panel when it turns on REMOTE switch of the front panel.

"Others"

Please refer about changing the trim of the front panel to the knob which it can operate by hand.

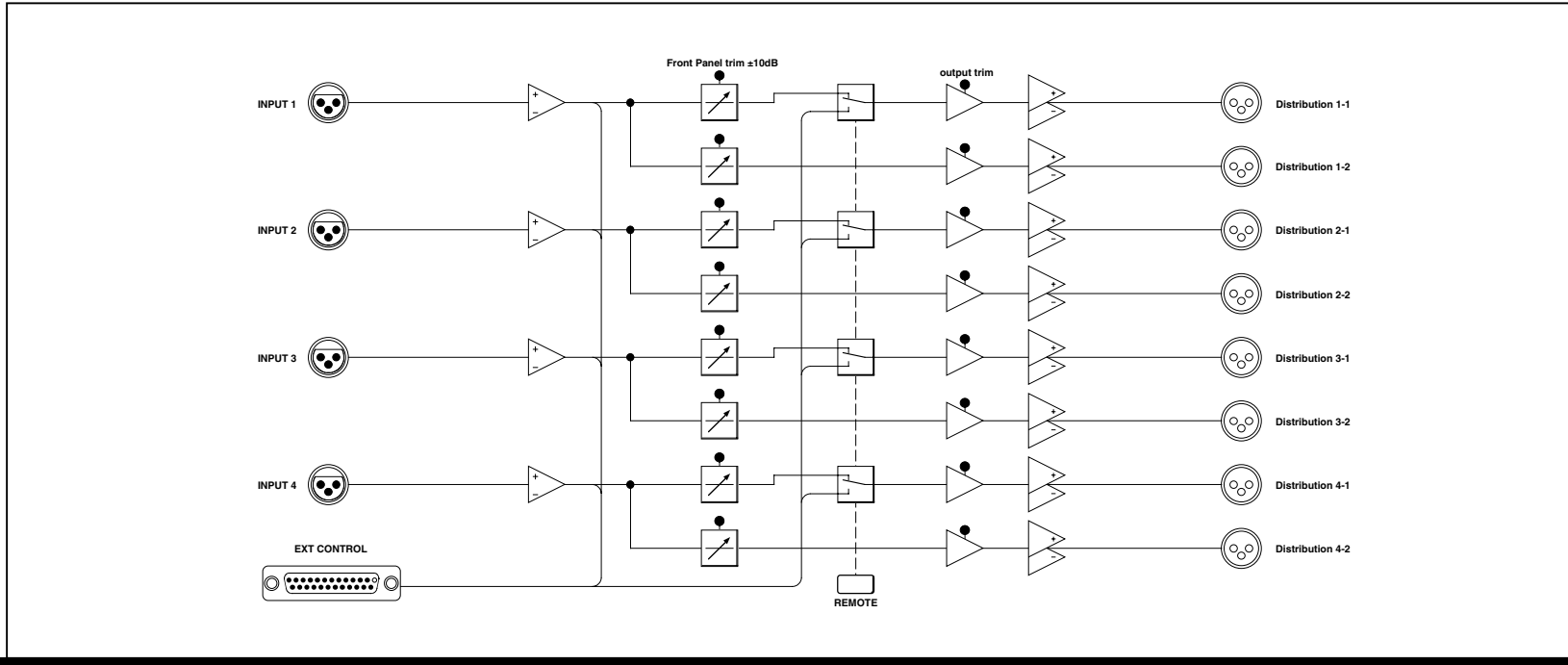
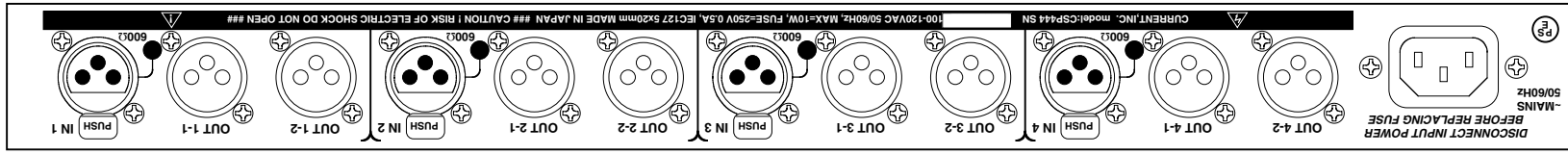


SPECIFICATIONS

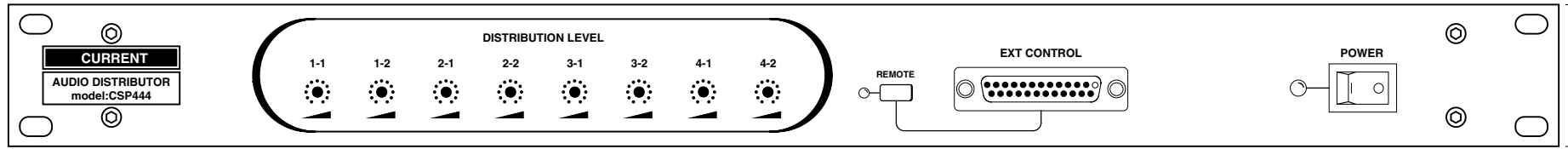
- 🍏 **INPUTS IMPEDANCE:** $36\text{k}\Omega/600\Omega$, BALANCED
- 🍏 **INPUTS LEVEL:** REF= $+4\text{dBu}$, MAX= $+24\text{dBu}$
- 🍏 **INPUTS CONNECTOR:** XLR3-F
- 🍏 **OUTPUTS IMPEDANCE:** 50Ω , BALANCED
- 🍏 **OUTPUTS LEVEL:** REF= $+4\text{dBu}$, MAX= $+24\text{dBu}$
- 🍏 **OUTPUTS CONNECTOR:** XLR3-M
- 🍏 **CONTROL:** OUTPUT TRIM $\pm 10\text{dB}$
- 🍏 **FREQUENCY RESPONSE:** 20~20kHz $\pm 0.1\text{dB}$
- 🍏 **THD:** $< 0.01\%$ at 1kHz, REFERENCE LEVEL
- 🍏 **NOISE LEVEL:** $< -90\text{dBu}$
- 🍏 **MAINS:** 100-120VAC 50/60Hz MAX=15W
- 🍏 **DIMENSIONS:** 482Wx44Hx303D 4Kg

1:2x4 Distributor	CSP444	¥248,000
accessory : AC cable		

The specifications are subject to change without notice.
2-26-11 AKATSUTSUMI, SETAGAYA-KU, TOKYO, 156-0044 JAPAN



302.6



482.0

44.0

(c)CURRENT,INC.	AUDIO DISTRIBUTION AMP CSP444	Aug.2007
H.ICHIHASHI	PANEL DIAGRAM	Aug.2002
		CSP444-D2007

CSP444 "REMOTE" D25-F(#4-40) Connector Pin List

Ribbon	Hard	Signal name	Designation	Active
1	1	CW 1	REMOTE POT 1 CW	
2	14	WP 1	REMOTE POT 1 WIPER	
3	2	CCW 1	REMOTE POT 1 CCW	
4	15	CW 2	REMOTE POT 2 CW	
5	3	WP 2	REMOTE POT 2 WIPER	
6	16	CCW 2	REMOTE POT 2 CCW	
7	4	CW 3	REMOTE POT 3 CW	
8	17	WP 3	REMOTE POT 3 WIPER	
9	5	CCW 3	REMOTE POT 3 CCW	
10	18	CW 4	REMOTE POT4 CW	
11	6	WP 4	REMOTE POT 4 WIPER	
12	19	CCW 4	REMOTE POT 4 CCW	
13	7			
14	20			
15	8			
16	21			
17	9			
18	22			
19	10			
20	23			
21	11			
22	24			
23	12			
24	25			
25	13			

注意！ Dサブコネクタの接続はHARDピン番号で接続してください。取付は#4-40インチビスです。

CAUTION! D-Connector for wiring refer toHard pin number Description. Mounting screw for D-connector use #4-40 size.