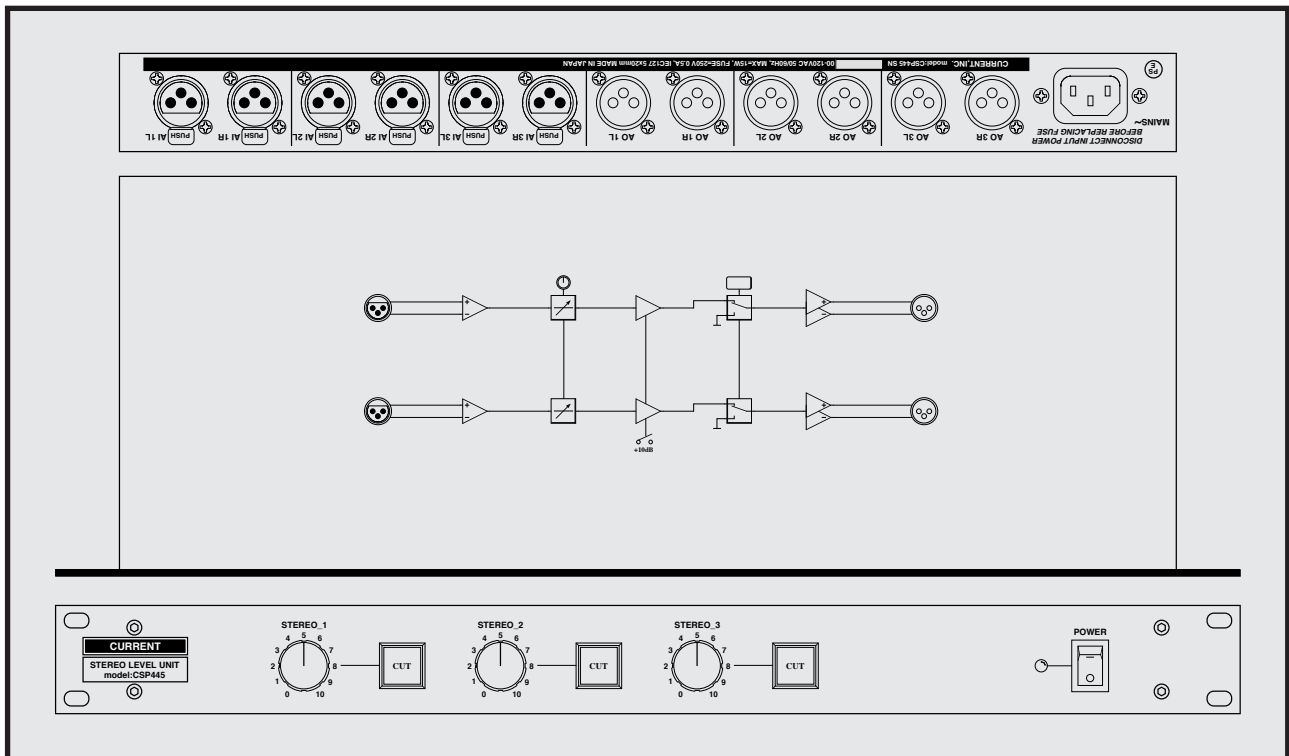


CURRENT PRODUCTS model:CSP445

STEREO LEVEL UNIT



Stereo level controller
 3 source
 CUT switch
 Super high-quality sound
 19 inches 1U size

CSP445 is a stereo level controller of 3 source. It is most suitable for the level revision of the stereo line and monitor control. By the parts for exclusive use of the audio and excellent circuit configuration, it controls only a level in input source faithfully and outputs it.

"Control"

The control pot of the front panel is the 21mm size that it is easy to operate. In addition, each path can turn off the output with CUT switch.

"Reference level"

The standard level is +4dBu, and input and output is 1:1, but +10dB can rise with internal switch setting.

"Connector"

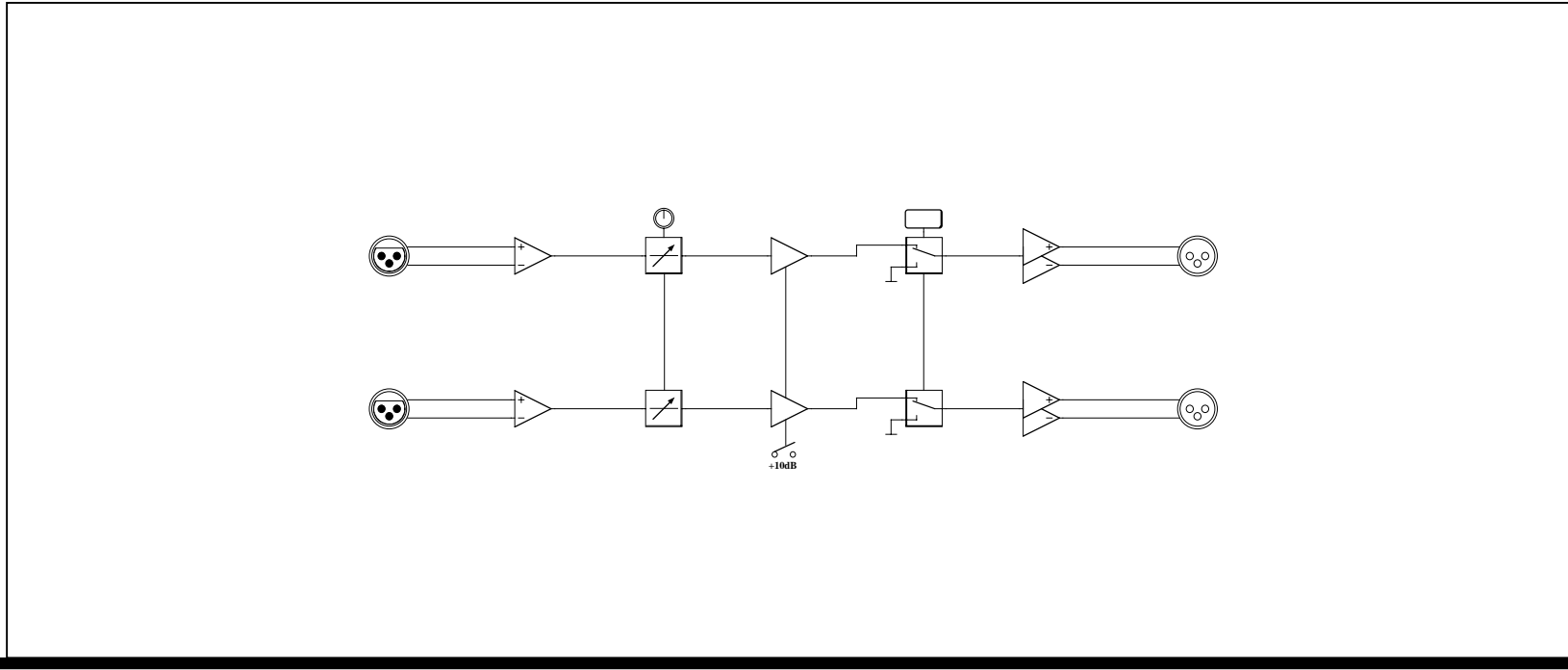
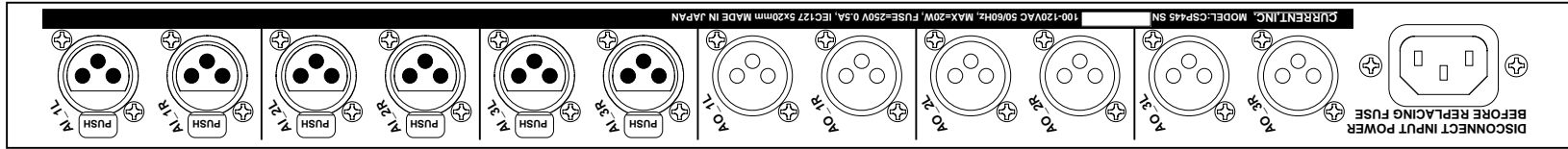
The audio input and output of CSP445 uses the gold-plated connector of the balanced XLR type, and flexibility shows high reliability in the connection highly.



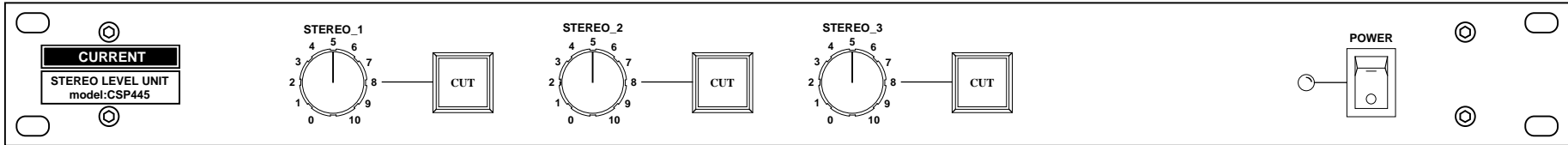
SPECIFICATIONS

- 🍏AUDIO INPUTS: BALANCED, 24kΩ
- 🍏INPUTS CONNECTOR: XLR3-F
- 🍏MAXIMUM INPUTS LEVEL: +24dBu
- 🍏AUDIO OUTPUTS: BALANCED, 50Ω
- 🍏OUTPUTS CONNECTOR: XLR3-M
- 🍏MAXIMUM OUTPUTS LEVEL: +24dBu
- 🍏LEVEL CONTROL: ∞ ~ 0dB
- 🍏FREQ.RESPONSE: 20 to 20kHz ±0.1dB
- 🍏THD:< 0.01% at Ref.Level
- 🍏EIN: <-90dB
- 🍏MAINS: 100VAC 50/60Hz MAX 10W
- 🍏DIMENSIONS: 482Wx44Hx303D, 4kg

Stereo level unit	CSP445	¥488,000
accessory : AC cable		



302.6



482.0

44.0

(c)CURRENT,INC.	STEREO LEVEL UNIT CSP445	Aug.2002
H.ICHIHASHI	PANEL DIAGRAM	CSP445-D