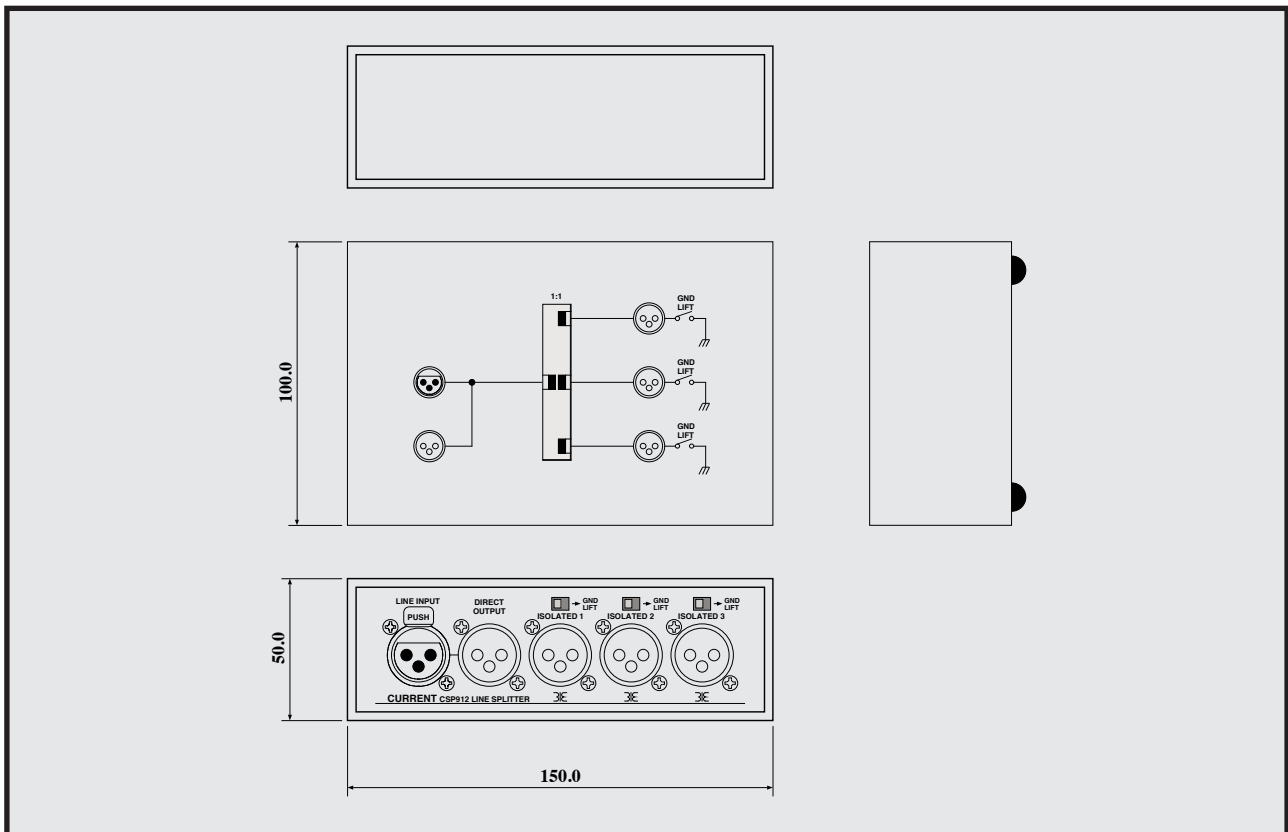


CURRENT PRODUCTS model:CSP912

LINE SPLITTER



Jensen made transformer adoption
 It distributes a line
 Phantom power support
 Compact, solid case
 Power supply unnecessary

"Others"

Please refer about a multichannel type, microphone splitter, the manufacturing of the direct box.

CSP912 is 3 distribution line splitter with the direct out that adopted a Jensen transformer with the reputation in sound quality, performance. It can make use in various scenes such as a studio, broadcast, the live recording.

"Connector"

The input and output impedance of CSP912 is 600Ω. All use the XLR type connector of balance specifications.

"GND"

Each split output can solve the problem that occurred by the GND loop under every condition because it provides with a GND lift switch individually.

"Direct out"

The direct out connector is directly connected to with an input connector, and phantom application of power is possible.

"Caution of operation"

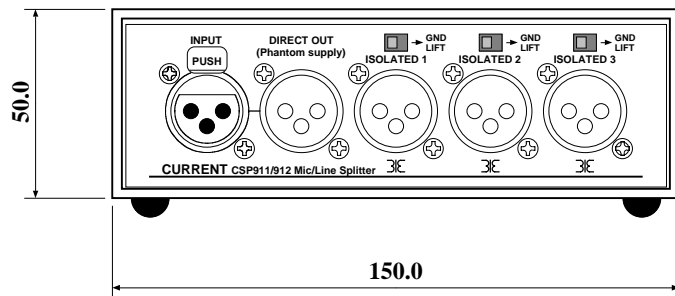
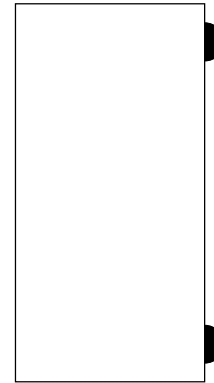
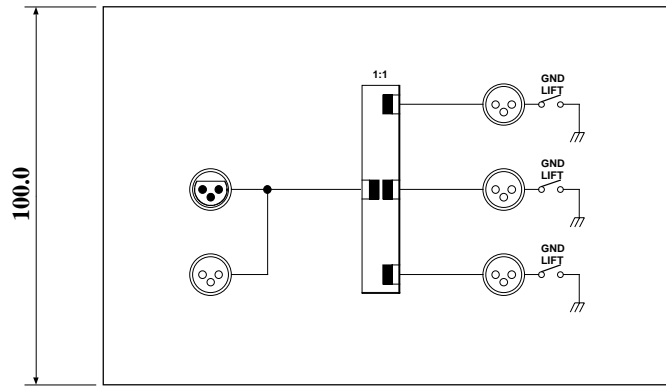
It is the passive equipment using the transformer, and, please note for the external inductive noises such as power supply transformers.



SPECIFICATIONS

- 🍏 **LINE INPUTS:** XLR3-F, BALANCED 600Ω
- 🍏 **MAXIMUM INPUT LEVEL:** +24dBu
- 🍏 **DIRECT OUTPUT:** XLR3-M, BALANCED
- 🍏 **ISOLATED OUTPUT:** XLR3-M, BALANCED 600Ω
- 🍏 **FREQ.RESPONSE:** 20 to 20kHz ±0.1dB
- 🍏 **THD:** <0.002% at Ref.Level
- 🍏 **DIMENSIONS:** 150Wx50Hx100D 1kg

Line splitter	CSP912	¥80,000
accessory : None		



(c)CURRENT,INC.	CSP911/912 MIC/LINE SPLITTER	Feb.2009
H.ICHIHASHI	PANEL DIAGRAM	CSP911-D2007