

CURRENT PRODUCTS model:CSP921

QUAD ISOLATOR



4ch

Line isolator

Direct out

Jensen made transformer adoption

Power supply unnecessary

19 inches 1U size

CSP921 is line isolator with the direct output which adopted a Jensen transformer with the reputation in sound quality, performance. It can make use in various scenes such as a studio, broadcast, the live recording.

"Connector"

The input and output impedance of CSP912 is 600Ω. All use the XLR type connector of balance specifications.

"GND"

It provides for each isolated output with a GND lift switch individually and can solve the problem with the GND loop under every condition.

"Direct output"

The throughout is directly connected to with an input connector and supply of the phantom is possible and can use it as the buffer of the microphone, an isolator. Please note for influence of the external noise in case of the use with the microphone.

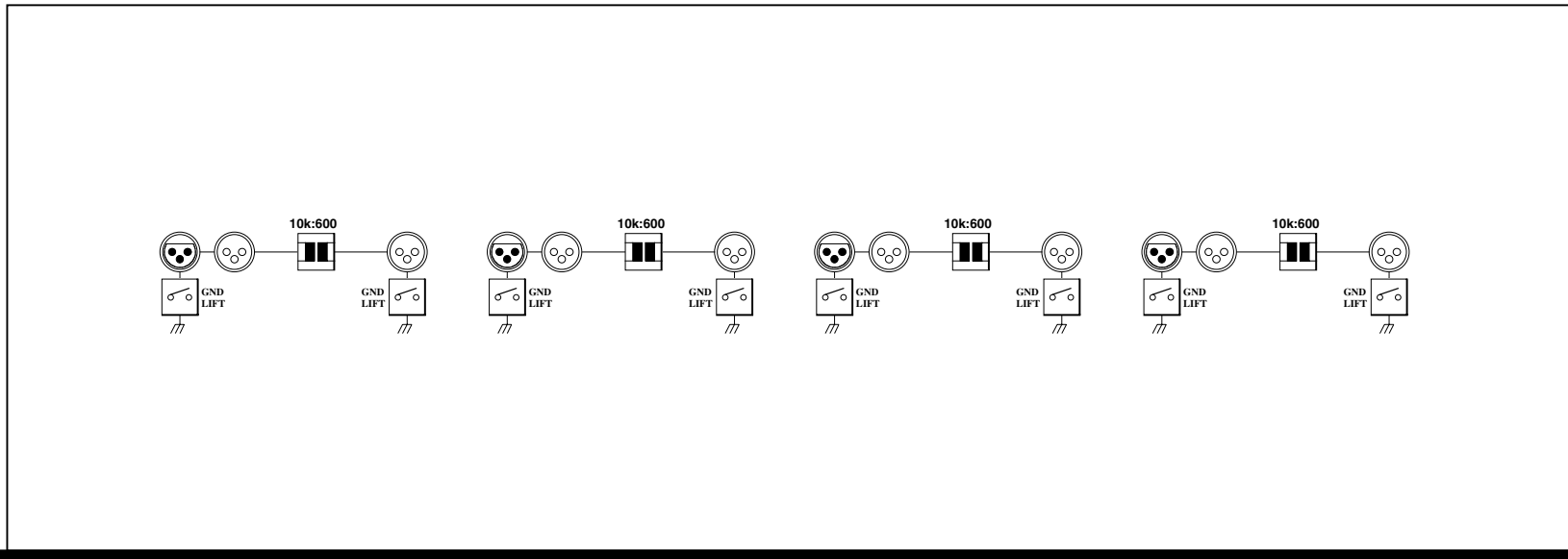
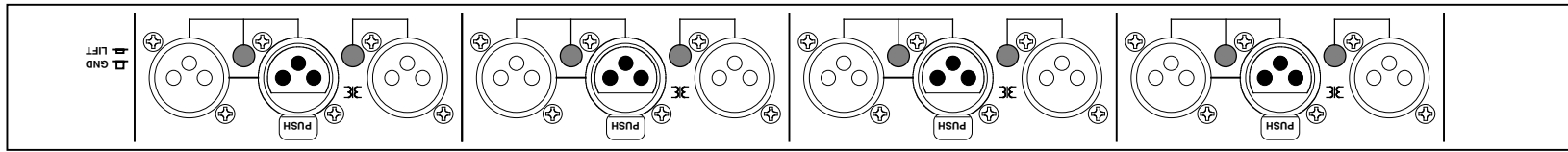
"Caution of operation"

It is the passive equipment using the transformer, and, please note for the external inductive noises such as power supply transformers.

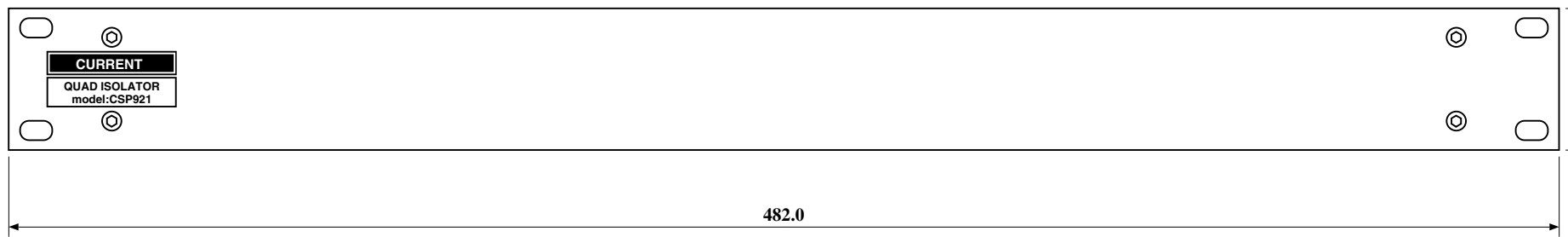
SPECIFICATIONS

- 🍏 **INPUTS:** 600Ω, max +24dBm
- 🍏 **INPUT CONNECTORS:** BALANCED, XLR3-F
- 🍏 **ISOLATED OUTPUTS:** 600Ω, max +24dBm
- 🍏 **OUTPUT CONNECTORS:** BALANCED, XLR3-M
- 🍏 **INSERTION LOSS:** < 0.1dB at 1kHz 0dBm
- 🍏 **FREQUENCY RESPONSE:** 20~20kHz ±0.1dB
- 🍏 **THD:** < 0.01% at 1kHz 0dBm
- 🍏 **DIMENSIONS:** 482Wx44Hx153D 4kg

Quad isolator	CSP921	¥198,000
accessory : None		



152.6



(c)CURRENT,INC.	QUAD ISOLATOR CSP921	Sep.2007
H.ICHIHASHI	PANEL DIAGRAM	CSP921-D