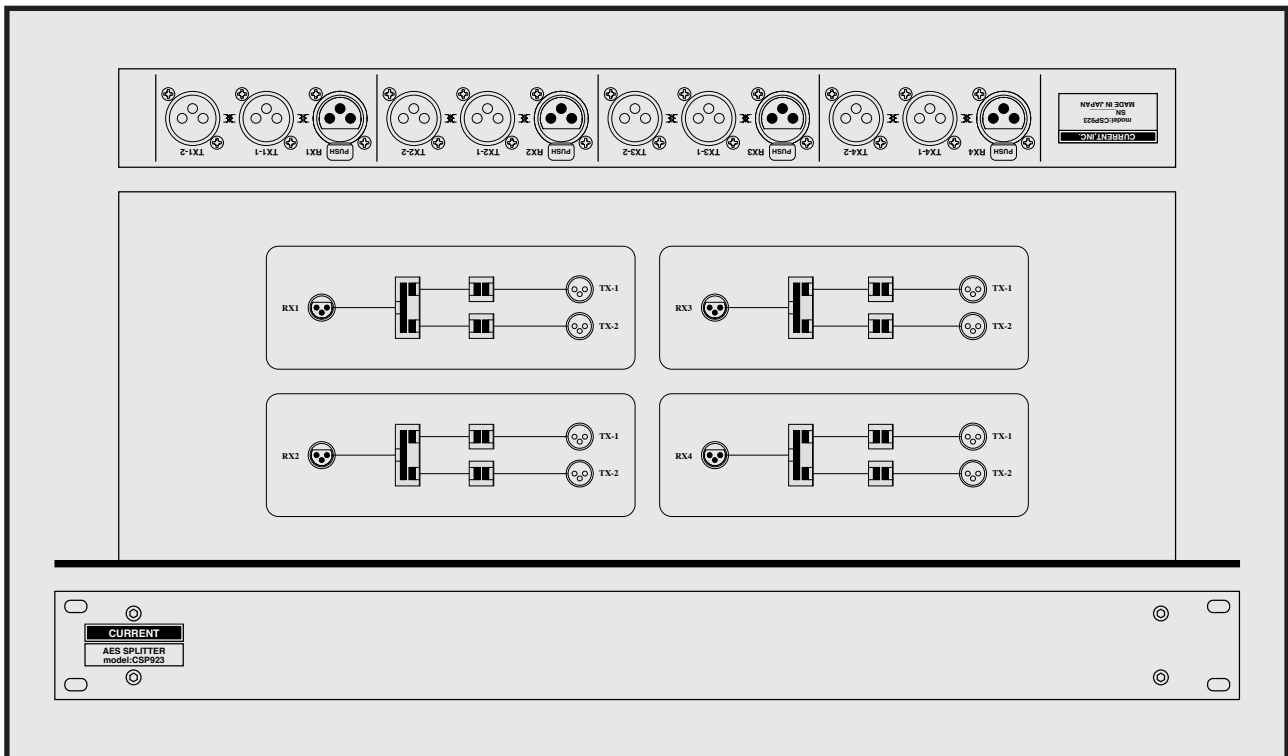


# CURRENT PRODUCTS model:CSP923

## QUAD AES SPLITTER



AES/EBU splitter  
 XLR or BNC  
 Power supply unnecessary  
 192kHz support  
 Compact

**CSP923 is AES splitter of 1:2 using a special transformer supporting 192kHz. It can apply it to a master system by high trust by passive configuration. Moreover, it can use it when it wants to isolate electrically because it uses a transformer.**

### "Transformer"

It affects the other in the cases that put on and off other ch with the simple splitter. It buffers each output with a transformer in CSP923, and distribution in the stable impedance is possible.

### "Insertion loss"

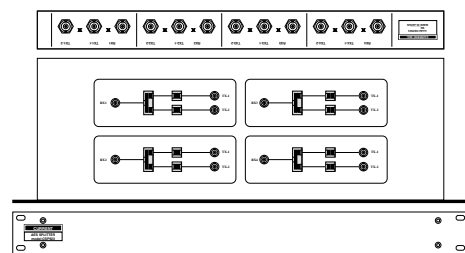
There is insertion loss of about 3dB, but it cannot be in a problem in the general receive levels being more than 0.5V normally.

### "Caution of operation"

It is the passive equipment using the transformer, and, please note for the external inductive noises such as power supply transformers.

### "Others"

Please specify an XLR type and a BNC type at the time of an order. In addition, please refer about the manufacturing with multi channel specifications.



## SPECIFICATIONS

### CSP923XLR

INPUTS: 110Ω, max=5V-pp, XLR3-F

OUTPUTS: 110Ω, XLR3-F

### CSP923BNC

INPUTS: 75Ω, max=5V-pp, BNC

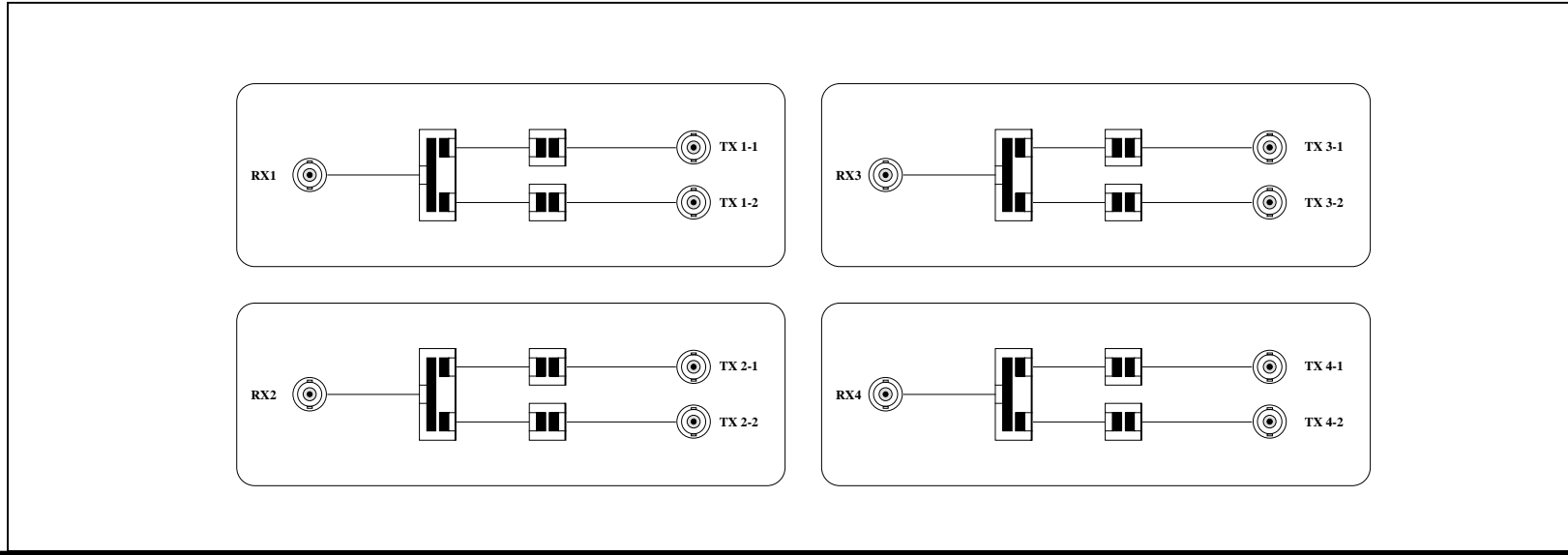
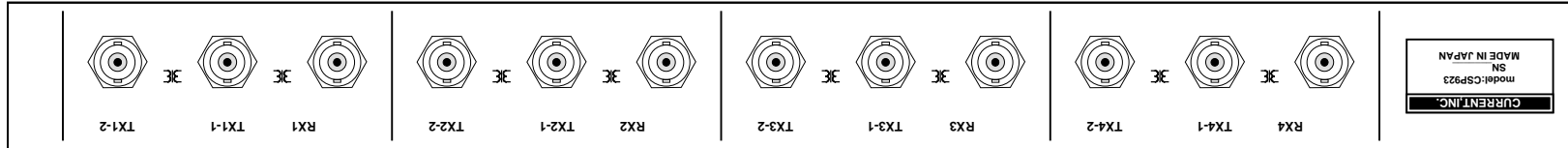
OUTPUTS: 75Ω, BNC

SAMPLE RATE: 32k~192kHz

DIMENSIONS: 482Wx44Hx153D 4kg

AES splitter (XLR)	CSP923XLR	¥198,000
AES splitter (BNC)	CSP923BNC	¥198,000

accessory : None



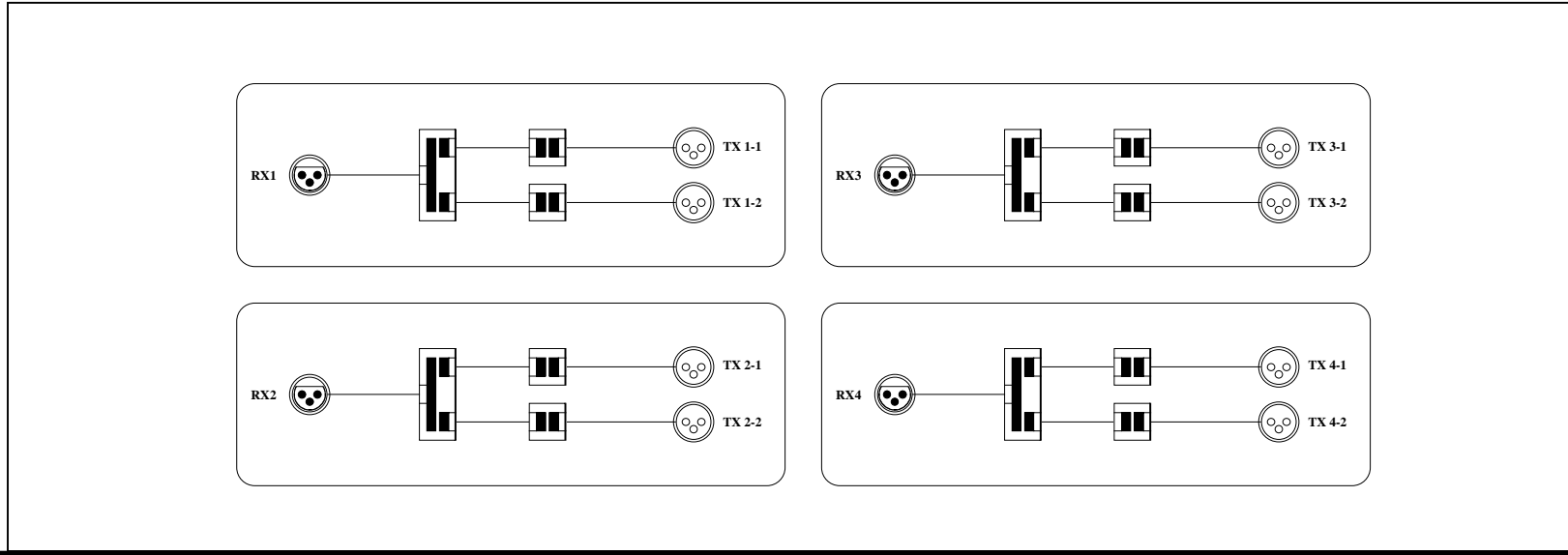
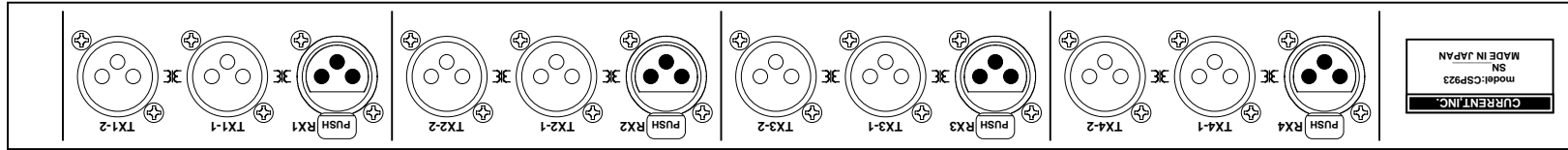
152.6



44.0

482.0

(c)CURRENT,INC.	CSP923 QUAD AES SPLITTER	Jun.2007
H.ICHIHASHI	PANEL DIAGRAM	CSP923B-D



152.6



482.0

44.0

(c)CURRENT,INC.	CSP923 QUAD AES SPLITTER	Jun.2007
H.ICHIHASHI	PANEL DIAGRAM	CSP923X-D