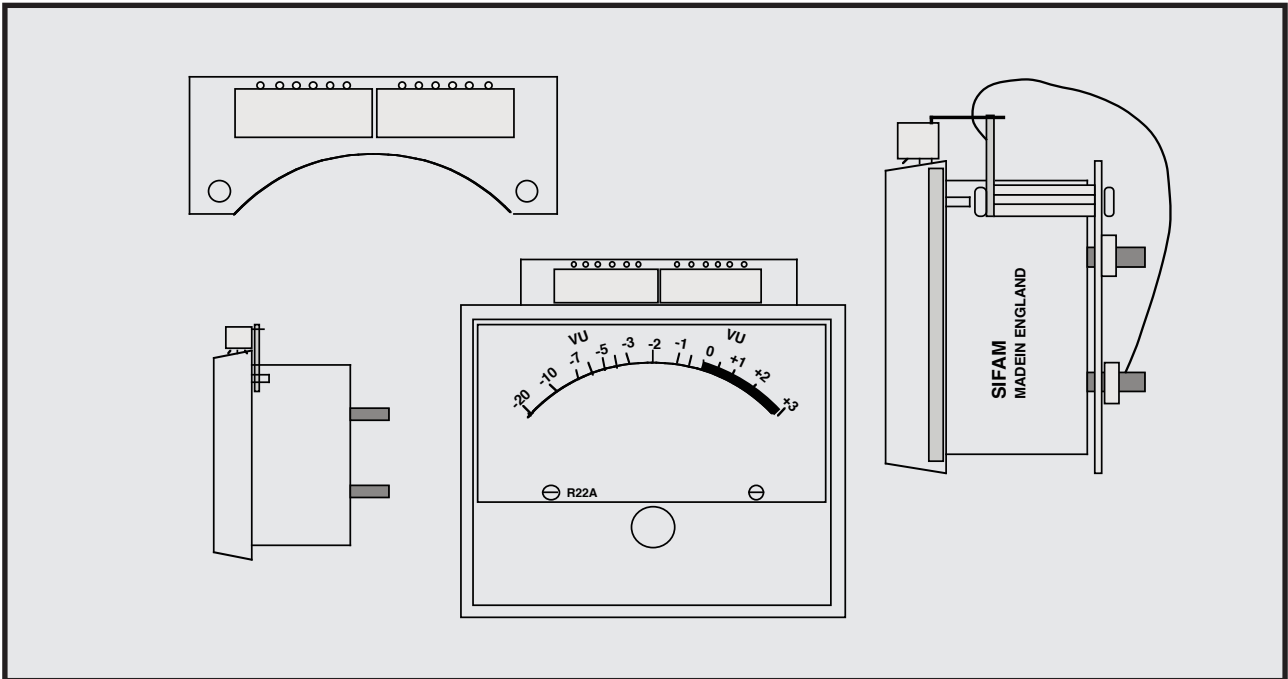


# CURRENT PRODUCTS model:ET100109

## LED LAMP for R22AF



Easy installation

Low cost

It is compatible by SSL console

Low power

It is unnecessary lamp exchange

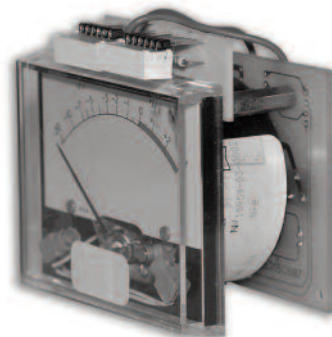
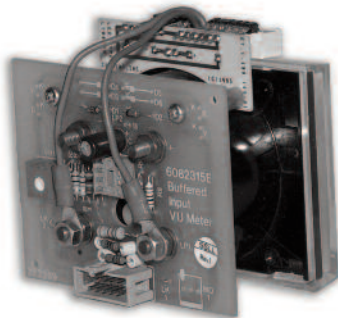
*ET100109 is the LED lamp which is compatible with R22 made by SIFAM which is the standard of the VU meter. By 6 LED from the upper meter, beautiful lighting is provided brightly. It makes the mounting of the lighting device in a spacer in a screw attached to a thing of a meter or VU meter drive PCB. It uses 'maintenance-free' LED and is released from past lamp exchange maintenance. Additionally, there is less power dissipation than a bulb and reduces fever of the equipment, and loading for the power supply decreases.*

"SSL console "

In the case of 4000G series console, the soldering work is not necessary at all and is the easy installation that it only fixes with a screw.

"Others"

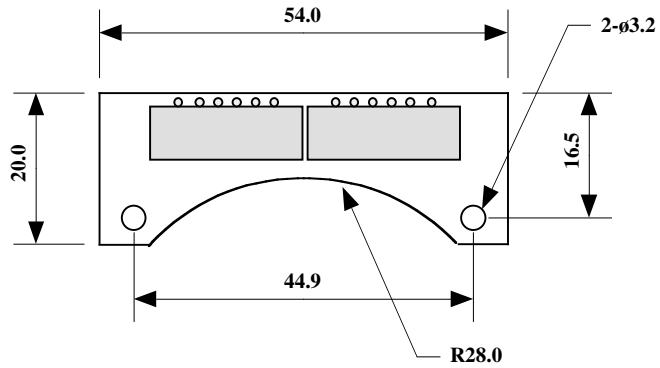
Please inform specifications supply voltage at the time of the order.



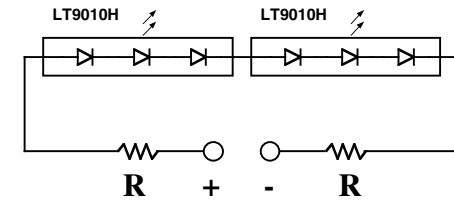
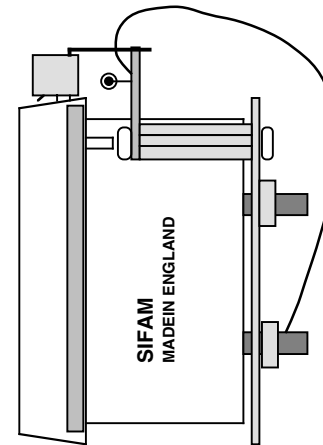
### SPECIFICATIONS

- ♣ **SUPPLY VOLTAGE:** DC15V to 48V (By changing the resistance)
- ♣ **POWER CONSUMPTION:** Approximately 15mA
- ♣ **LIGHT COLOR:** AMBER
- ♣ **LED:** SHARP LT9220H x2
- ♣ **FIXING:** M3 screw x2, M4 nuts

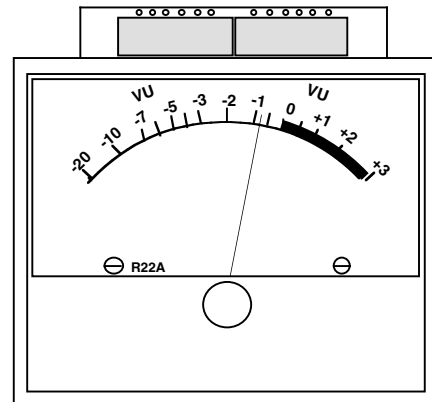
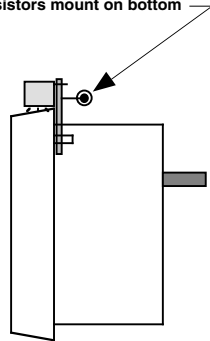
LED Lamp	ET100109	¥1,500
accessory : None		



## R22A



Resistors mount on bottom



## R22

### R Value

- 15V: 100Ω
- 18V: 200Ω
- 22V: 330Ω
- 24V: 390Ω
- 30V: 620Ω
- 36V: 750Ω Lift up
- 48V: 1200Ω Lift up

Oct.2016  
Jun.2013

(c)CURRENT,INC.	ET100109 LED LAMP for sifam R22/A	Nov.2010
H.ICHIHASHI	PANEL DIAGRAM	ET100109-D