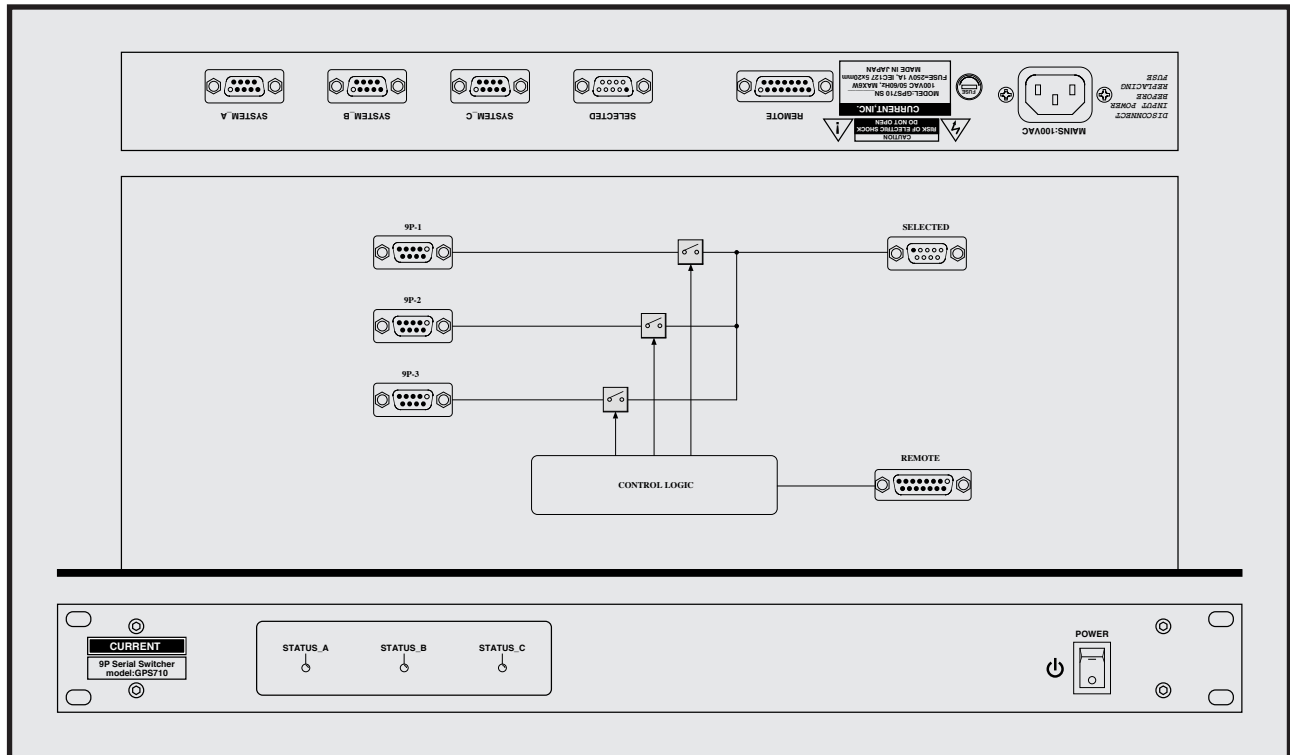


CURRENT PRODUCTS model:GPS710

9P-SERIAL SWITCHER



9P switch of 3:1
Remote control
19 inches 1U size

GPS710 is a 9P serial remote selector of 3:1. It works by the tarry such as video switchers.

"Input-output"

The input connector is DSUB9P female and the output connector is DSUB9P male and it is directly connected and, at system check, a trouble, can bypass the cable.

"Switching"

The switch is performed via a period of all OFF of one second. The tarry indication turns on when it pressed the switch. In addition, it is all OFF by a logic to prohibit multiplex push when it presses the multiple switches. In addition, SYSTEM-A is chosen at the time of power-up by factory set and can change it with an internal switch. In addition, it is all pin switches and can use even an application except the 9P remote.

"Others"

It can mount a select switch to main frame front panel with an option. In addition, please refer about the manufacturing of a system switcher and the remote control panel of different specifications.

REMOTE DSUB15-F

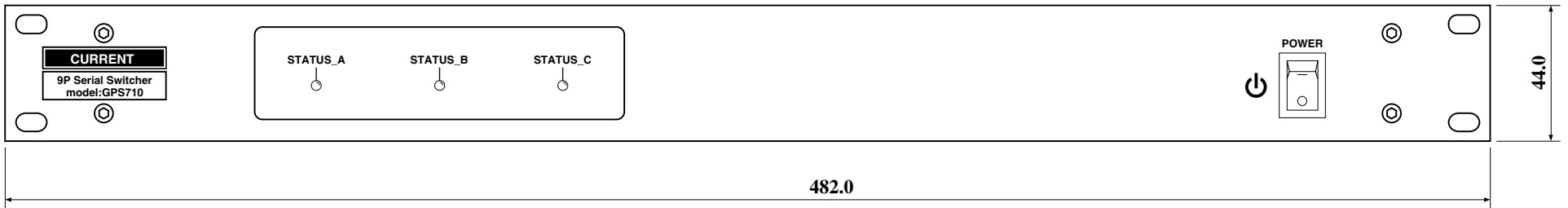
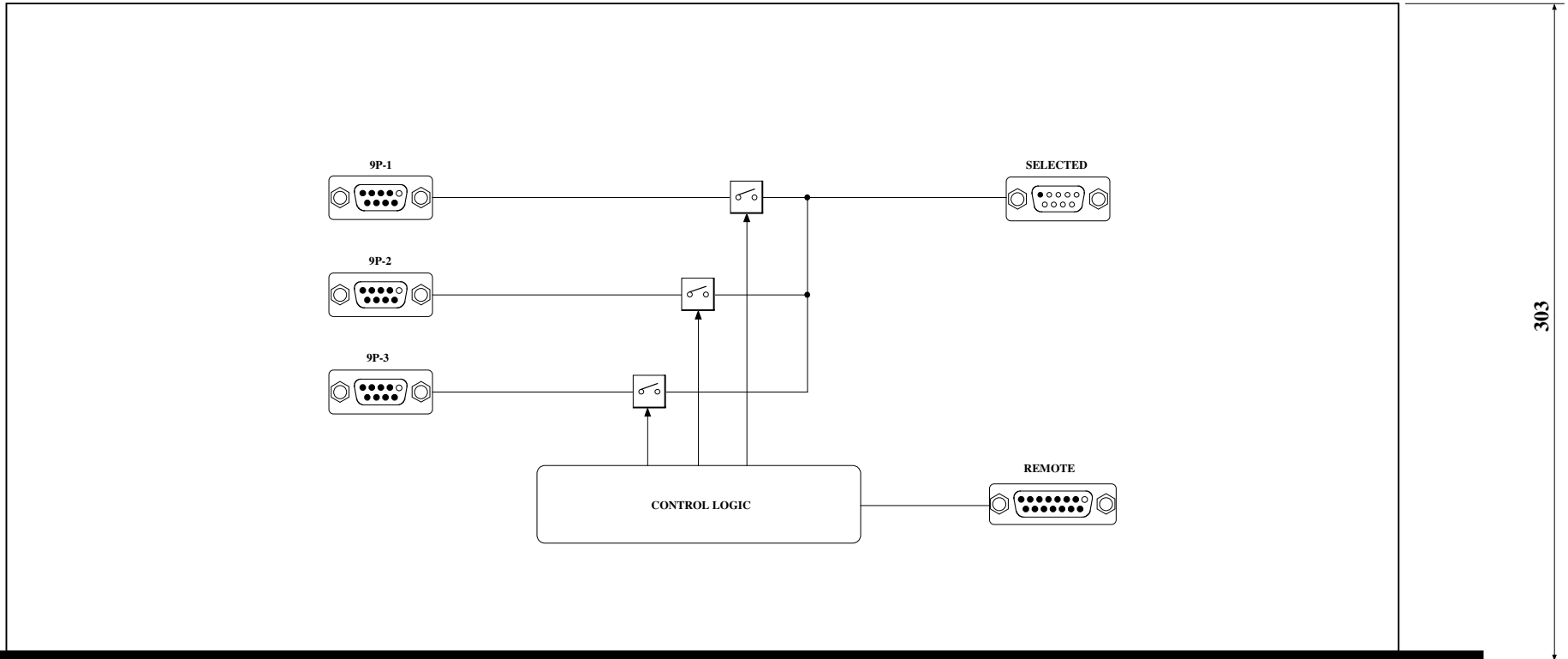
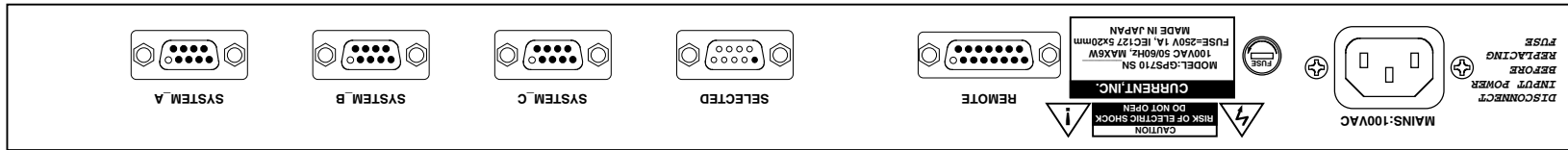
01 SW COM 0V	09 LP COM +12V
02 SW 1	10 LP 1
03 SW 2	11 LP 2
04 SW 3	12 LP 3
05	13
06	14
07	15
08	

SPECIFICATIONS

- INPUTS: 3
- INPUT CONNECTOR: Dsub9-F (#4-40)
- OUTPUT: 1
- OUTPUT CONNECTOR: Dsub9-M (#4-40)
- REMOTE: Dsub15-F (#4-40)
- DISPLAY: SELECTED LED
- MAINS: 100VAC 50/60Hz MAX=6W
- DIMENSIONS: 482Wx44Hx303D 4kg

9P switcher	GPS710	¥248,000
Front panel sw	GPS710-1	¥298,000
accessory : AC cable		

The specifications are subject to change without notice.
2-26-11 AKATSUTSUMI, SETAGAYA-KU, TOKYO, 156-0044 JAPAN



(c)CURRENT,INC.	2:1 9P SWITCHER GPS710	JAN 97
H.ICHIHASHI	PANEL DIAGRAM	GPS710-D

Dsub15-M Plug

