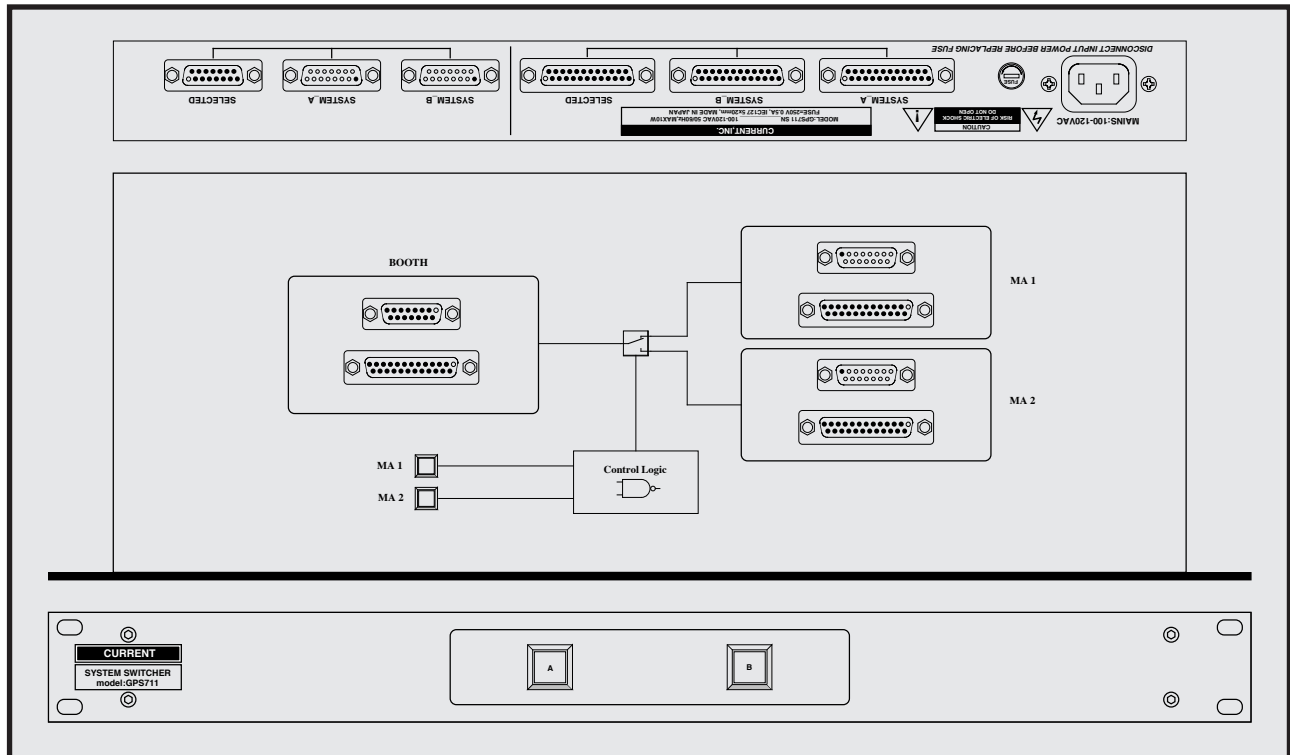


CURRENT PRODUCTS model:GPS711 SYSTEM SWITCHER



Suitable for AF201 system
 Change-over AF124
 Shares 2 booth
 8ch audio switch
 Switch of DSUB15 and dsub25 by the relay
 19 inches 1U size

GPS711 is a system switcher of 2:1 or 1:2 and implements Dsub25 and Dsub15 connector. It supports announcement unit 'AF124' and the switch of the audio of 8 routes and is most suitable for the switch of a system sharing one booth in 2 control room. In addition, it switches 2 booths in one control room by reversing connection and can use it.

"Switching"

GPS711 allows the connection of every equipment and signal by all pin switches by the relay. Only as for the GND pin of DSUB15 for AF124, it is ac coupled. In addition, without a noise by the switching, it can ignore most of the signal loss, too.

"Control"

It does the control of GPS711 with a switch of the front panel. In addition, "A" is chosen at the time of the power-up.

"Others"

In addition, please refer about the manufacturing of a system switcher and the remote control panel of different specifications.



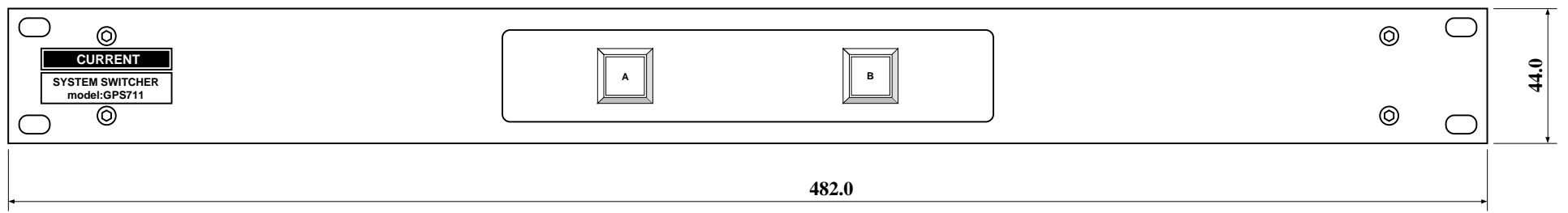
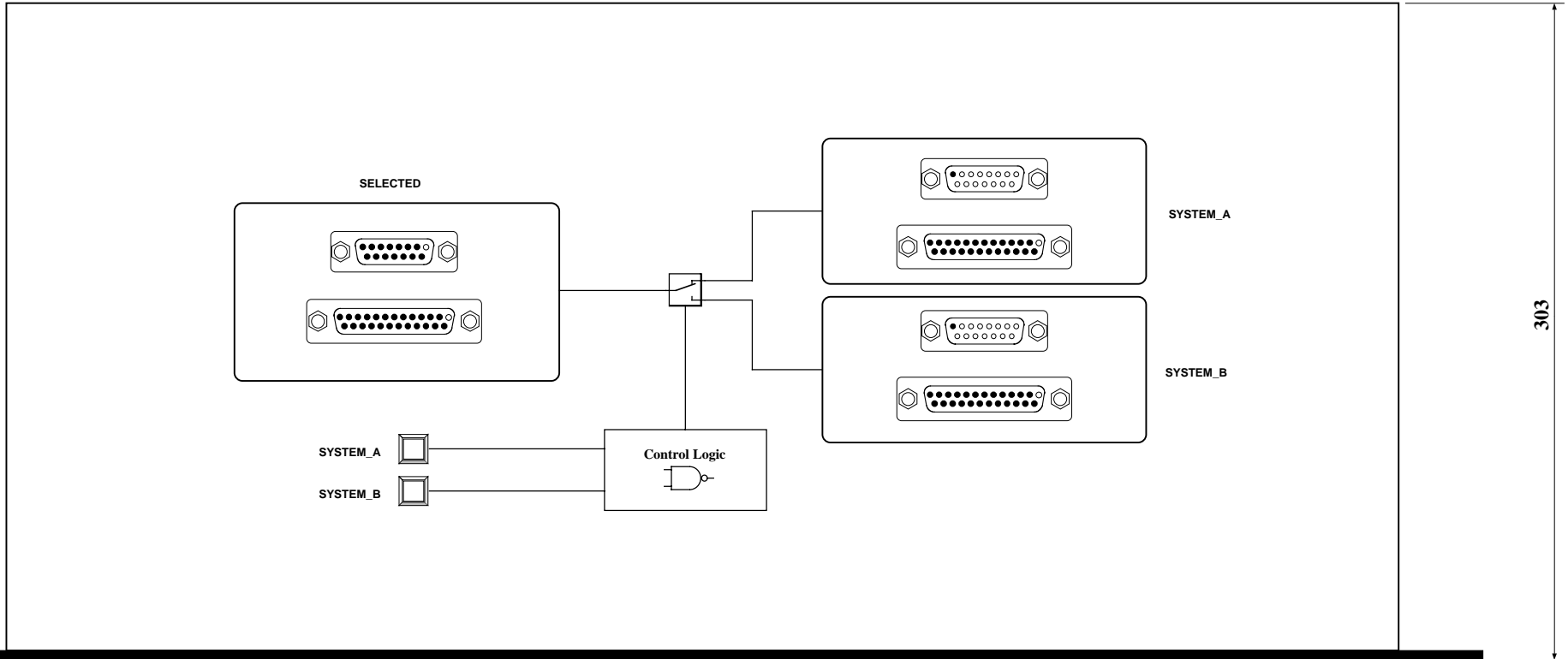
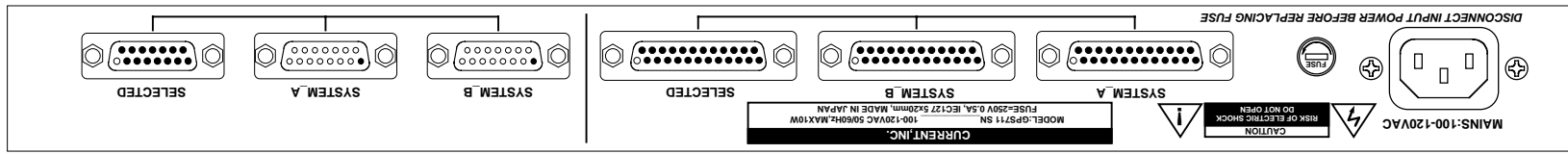
SPECIFICATIONS

- ♣ **SYSTEM A AF124:** Dsub15-M (#4-40)
- ♣ **SYSTEM B AF124:** Dsub15-M (#4-40)
- ♣ **DSUB25 A:** Dsub25-F (#4-40)
- ♣ **DSUB25 B:** Dsub25-F (#4-40)
- ♣ **SELECTED DSUB25:** Dsub25-F (#4-40)
- ♣ **SELECTED AF124 (DSUB15):** Dsub15-F (#4-40)
- ♣ **CONTROL:** FRONT PANEL SWITCH
- ♣ **MAINS:** 100-120VAC 50/60Hz MAX=10W
- ♣ **DIMENSIONS:** 482Wx44Hx303D 4kg

System switcher	GPS711	¥248,000
accessory : AC cable		

The specifications are subject to change without notice.
 2-26-11 AKATSUTSUMI, SETAGAYA-KU, TOKYO, 156-0044 JAPAN

MONITOR SYSTEM
 HEADPHONES AMP
 CUE SYSTEM
 COMMUNICATION
 TB, COUGH SYSTEM
 MATRIX AMP
 AUDIO ROUTER
 AUDIO VIDEO
 SWITCHER
 SYSTEM SWITCHER
 EMERGENCY
 AUDIO VIDEO
 DISTRIBUTOR
 METER SYSTEM
 ANALOG, DIGITAL
 PREAMP MIXER
 LEVEL UNIT
 DIGITAL AUDIO
 FADER UNIT
 AUTO FADER
 TALLY FADER
 CLOCK, TIMER
 EVENT SYSTEM
 SPECIAL PRODUCTS
 ETC.



May.2005

CURRENT, INC.	SYSTEM SWITCHER GPS711	Mar.2000
H.ICHIHASHI	PANEL DIAGRAM	GPS711-D2004

GPS711 "DSUB-15 (#4-40)" Connector Pin List

Ribbon	Hard	Signal name	Designation	Active
1	1	MON L+	Monitor Left +	
2	9	MON L-	Monitor Left -	
3	2	MON R+	Monitor Right +	
4	10	MON R-	Monitor Right -	
5	3	S-CUE	CUE switch	
6	11	S-RTB	RTB switch	
7	4	Y-FU1	FU1 signal	
8	12	Y-FU2	FU2 signal	
9	5	L-MIC1+	RTB mic 1+	
10	13	L-MIC1-	RTB mic 1-	
11	6	L-MIC2+	RTB mic 2+	
12	14	L-MIC2-	RTB mic 2-	
13	7	+15V	+15V LINE	
14	15	0V	supply common	
15	8	-15V	-15V LINE	

このピンリストはA F 2 0 1のA F 1 2 4コネクタと同じものです。
SYSTEM-A(D-15M), SYSTEM-B(D15-M), SELECTED(D15-F)は同ピン配です。

ピン 1 - 1 5 は全ピン切換ですのでオーディオ以外の用途にも使用出来ます。
ピン 1 5 は1 0 0 n Fのコンデンサでフレームに接地されています。

注意！ Dサブコネクタの接続はH A R Dピン番号で接続してください。取付は# 4 - 4 0インチビスです。

CAUTION! D-Connector for wiring refer to Hard pin number Description. Mounting screw for D-connector use #4-40 size.

GPS711 "DSUB-25 (#4-40)" Connector Pin List

Ribbon	Hard	Signal name	Designation	Active
1	1	AUDIO LINE 1+	AUDIO LINE 1+	
2	14	AUDIO LINE 1-	AUDIO LINE 1-	
3	2	AUDIO LINE 1G	AUDIO LINE 1 GND	
4	15	AUDIO LINE 2+	AUDIO LINE 2+	
5	3	AUDIO LINE 2-	AUDIO LINE 2-	
6	16	AUDIO LINE 2G	AUDIO LINE 2 GND	
7	4	AUDIO LINE 3+	AUDIO LINE 3+	
8	17	AUDIO LINE 3-	AUDIO LINE 3-	
9	5	AUDIO LINE 3G	AUDIO LINE 3 GND	
10	18	AUDIO LINE 4+	AUDIO LINE 4+	
11	6	AUDIO LINE 4-	AUDIO LINE 4-	
12	19	AUDIO LINE 4G	AUDIO LINE 4 GND	
13	7	AUDIO LINE 5+	AUDIO LINE 5+	
14	20	AUDIO LINE 5-	AUDIO LINE 5-	
15	8	AUDIO LINE 5G	AUDIO LINE 5 GND	
16	21	AUDIO LINE 6+	AUDIO LINE 6+	
17	9	AUDIO LINE 6-	AUDIO LINE 6-	
18	22	AUDIO LINE 6G	AUDIO LINE 6 GND	
19	10	AUDIO LINE 7+	AUDIO LINE 7+	
20	23	AUDIO LINE 7-	AUDIO LINE 7-	
21	11	AUDIO LINE 7G	AUDIO LINE 7 GND	
22	24	AUDIO LINE 8+	AUDIO LINE 8+	
23	12	AUDIO LINE 8-	AUDIO LINE 8-	
24	25	AUDIO LINE 8G	AUDIO LINE 8 GND	
25	13			

SYSTEM-A(D-25F), SYSTEM-B(D25-F), SELECTED(D25-F)は同ピン配です。

ピン 1 - 2 4 は全ピン切換ですのでオーディオ以外の用途にも使用出来ます。

注意！ Dサブコネクタの接続はHARDピン番号で接続してください。取付は#4-40インチビスです。

CAUTION! D-Connector for wiring refer to Hard pin number Description. Mounting screw for D-connector use #4-40 size.

(c)2007 CURRENT,INC.