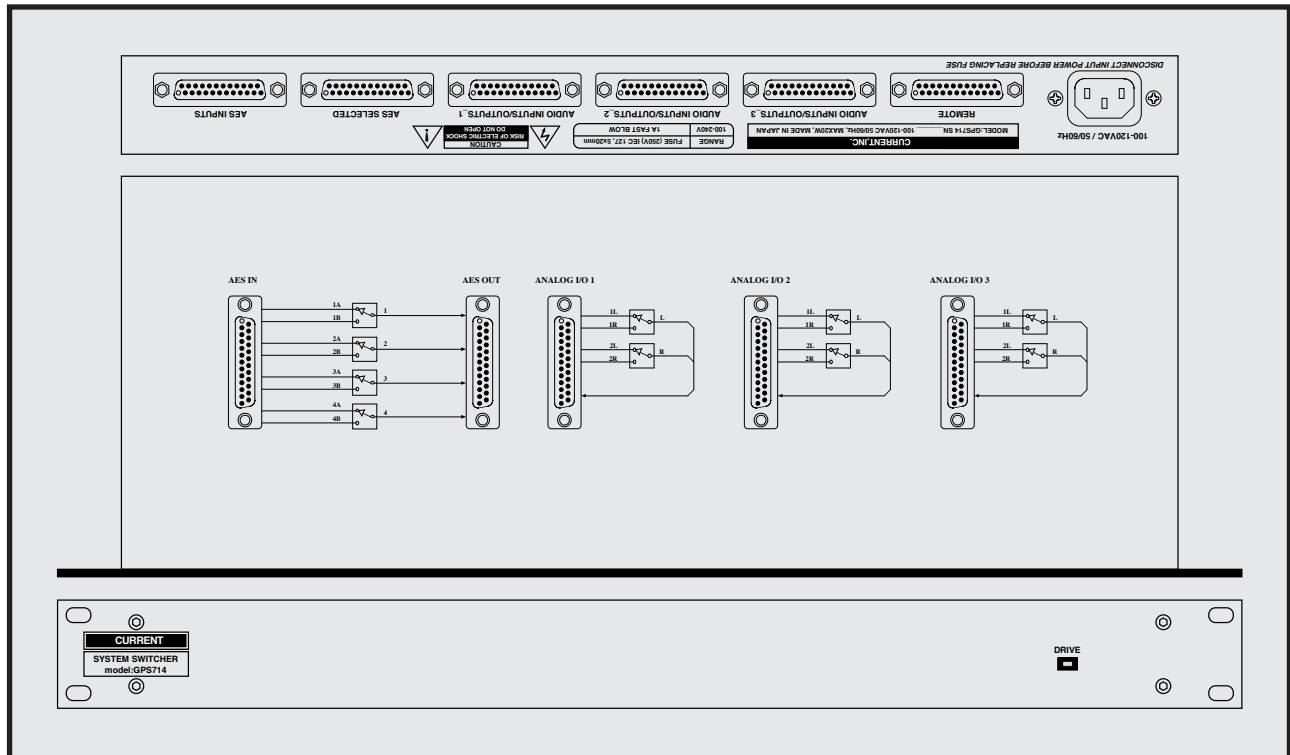


CURRENT PRODUCTS model:GPS714 SYSTEM SWITCHER



- 2:1 switch
- 4 AES
- 3 stereo audio
- Remote controllable
- 19 inches 1U size

GPS714 is a system switcher supporting AES of 2:1 and an analog audio. The switch is possible by a remote panel or a tarry.

"Control"

It can control AES and 3 analog switches individually each.

"Input-output"

All the connectors are DSUB connectors. In addition, the control signals are switchable because it uses a relay in a signal switch.

"Select"

All the switch circuits implement four AES and three 2 circuit analog with balance specifications.

"Others"

It is optional, and, please refer about mounting a switch to front panel of GPS714.

REMOTE DSUB25-F

01 SW COM 0V	14 LP COM +5V
02 SW 1-1	15 LP 1-1
03 SW 1-2	16 LP 1-2
04 SW 2-1	17 LP 2-1
05 SW 2-2	18 LP 2-2
06 SW 3-1	19 LP 3-1
07 SW 3-2	20 LP 3-2
08 SW 4-1	21 LP 4-1
09 SW 4-2	22 LP 4-2
10	23
11	24
12	25
13	

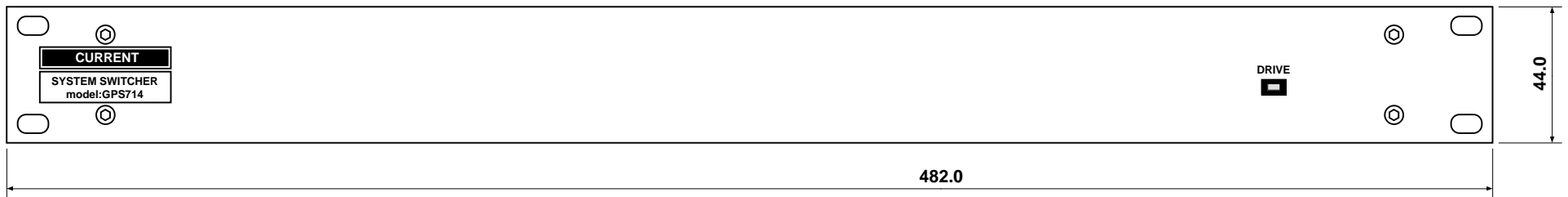
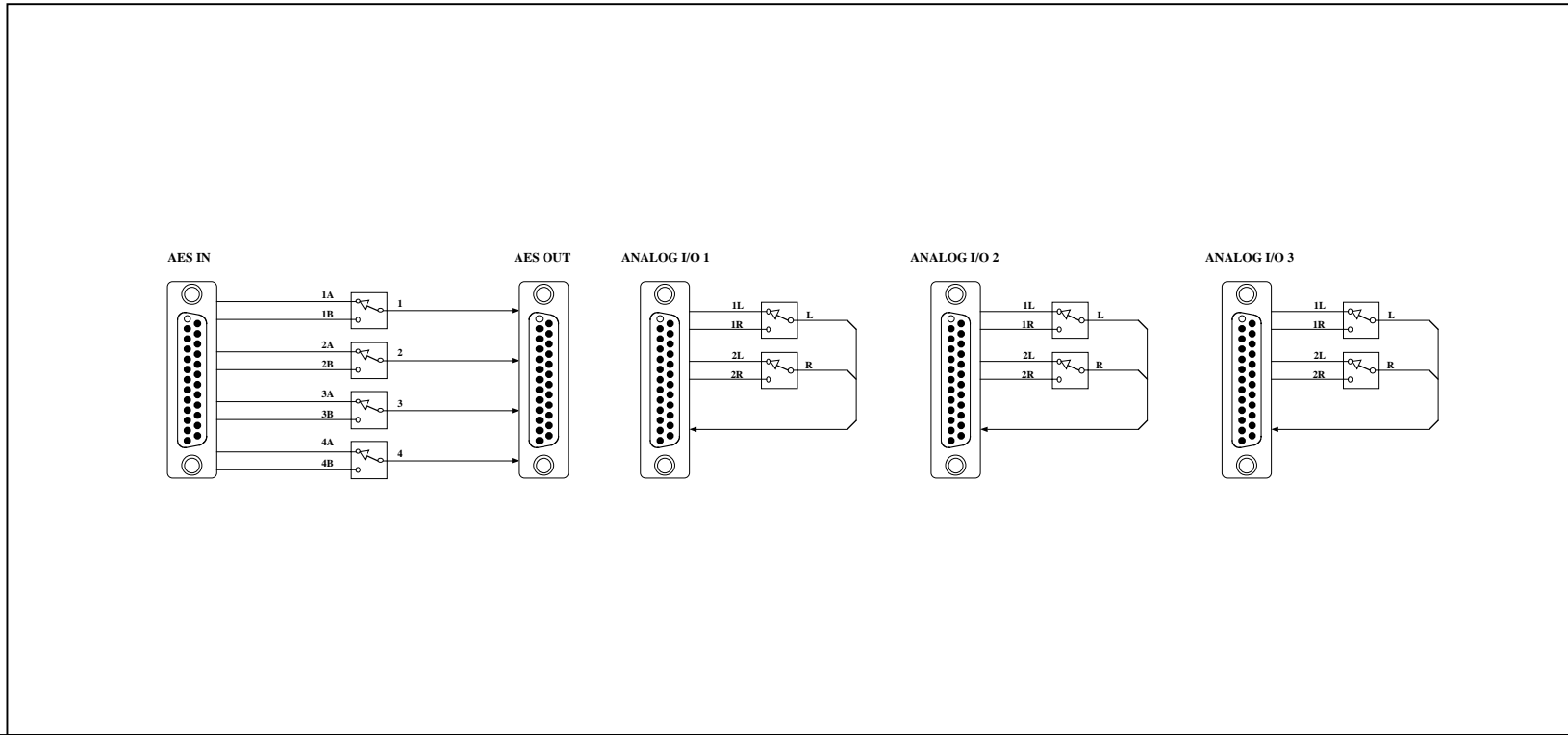
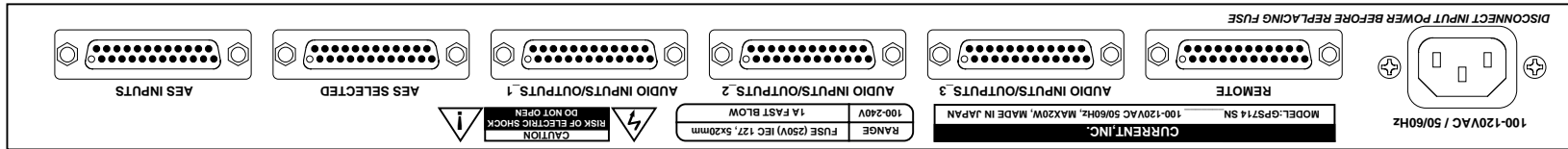


SPECIFICATIONS

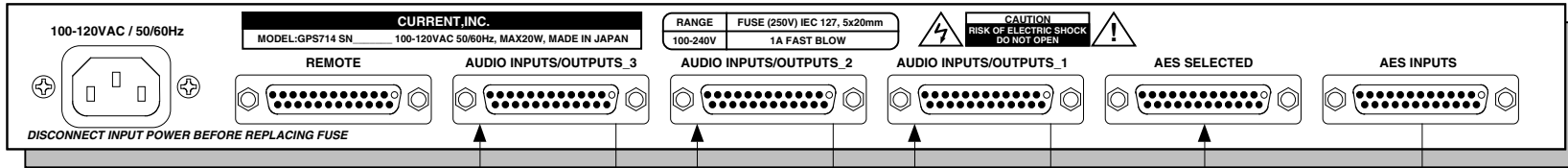
- AES I/O: BALANCED 4ch
- ANALOG I/O: BALANCED 2ch x3
- AES I/O CONNECTOR: Dsub25-F (#4-40)
- ANALOG I/O CONNECTOR: Dsub25-F (#4-40)
- FREQ.RESPONSE: 20 to 20kHz ±0.1dB
- THD: <0.01%
- EIN: <-90dB
- REMOTE CONNECTOR: Dsub25-F (#4-40)
- MAINS: 100VAC 50/60Hz MAX 15W
- MAIN UNIT DIMENSIONS: 482Wx44Hx250D, 4kg

System switcher	GPS714	¥480,000
accessory : AC cable		

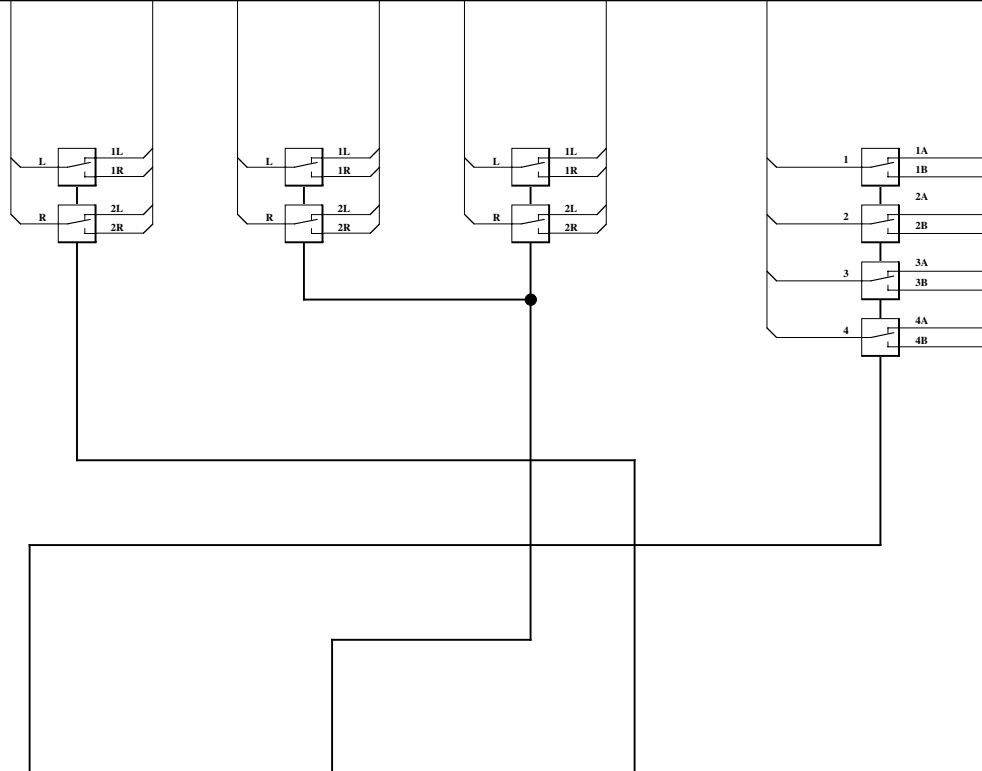
The specifications are subject to change without notice.
2-26-11 AKATSUTSUMI, SETAGAYA-KU, TOKYO, 156-0044 JAPAN



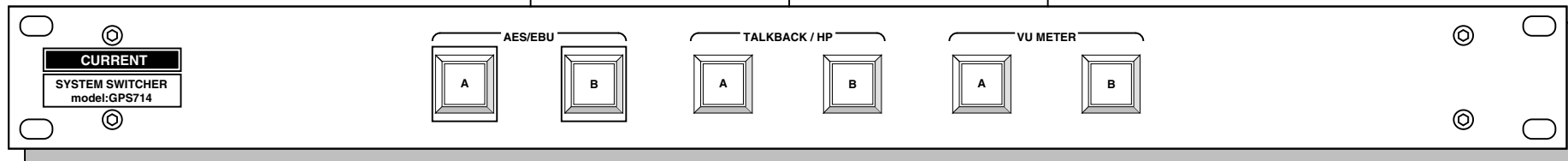
(c)CURRENT,INC.	SYSTEM SWITCHER GPS714	MAY.2002
H.ICHIHASHI	PANEL DIAGRAM	GPS714-D



MAIN UNIT



REMOTE PANEL



(c)CURRENT,INC.	SYSTEM SWITCHER GPS714	MAY.2002
H.ICHIHASHI	SYSTEM DIAGRAM	GPS714-system

GPS714 "AES INPUTS" (D25-F #4-40)

Ribbon	Hard	Signal name	Designation	Active
1	1	AES INPUT 1-1 +	AES INPUT 1-1 +	
2	14	AES INPUT 1-1 -	AES INPUT 1-1 -	
3	2	AES INPUT 1-1 G	AES INPUT 1-1 GND	
4	15	AES INPUT 1-2 +	AES INPUT 1-2 +	
5	3	AES INPUT 1-2 -	AES INPUT 1-2 -	
6	16	AES INPUT 1-2 G	AES INPUT 1-2 GND	
7	4	AES INPUT 1-3 +	AES INPUT 1-3 +	
8	17	AES INPUT 1-3 -	AES INPUT 1-3 -	
9	5	AES INPUT 1-3 G	AES INPUT 1-3 GND	
10	18	AES INPUT 1-4 +	AES INPUT 1-4 +	
11	6	AES INPUT 1-4 -	AES INPUT 1-4 -	
12	19	AES INPUT 1-4 G	AES INPUT 1-4 GND	
13	7	AES INPUT 2-1 +	AES INPUT 2-1 +	
14	20	AES INPUT 2-1 -	AES INPUT 2-1 -	
15	8	AES INPUT 2-1 G	AES INPUT 2-1 GND	
16	21	AES INPUT 2-2 +	AES INPUT 2-2 +	
17	9	AES INPUT 2-2 -	AES INPUT 2-2 -	
18	22	AES INPUT 2-2 G	AES INPUT 2-2 GND	
19	10	AES INPUT 2-3 +	AES INPUT 2-3 +	
20	23	AES INPUT 2-3 -	AES INPUT 2-3 -	
21	11	AES INPUT 2-3 G	AES INPUT 2-3 GND	
22	24	AES INPUT 2-4 +	AES INPUT 2-4 +	
23	12	AES INPUT 2-4 -	AES INPUT 2-4 -	
24	25	AES INPUT 2-4 G	AES INPUT 2-4 GND	
25	13			

注意！

Dサブコネクタの接続はHardピン番号で接続してください。

取付ビスは#4-40インチビスを使用して下さい

CAUTION! D-Connector for wiring refer to Hard pin number Description.

GPS714 "AES SELECTED" (D25-F #4-40)

Ribbon	Hard	Signal name	Designation	Active
1	1	AES SELECTED 1 +	AES SELECTED 1 +	
2	14	AES SELECTED 1 -	AES SELECTED 1 -	
3	2	AES SELECTED 1 G	AES SELECTED 1 GND	
4	15	AES SELECTED 2 +	AES SELECTED 2 +	
5	3	AES SELECTED 2 -	AES SELECTED 2 -	
6	16	AES SELECTED 2 G	AES SELECTED 2 GND	
7	4	AES SELECTED 3 +	AES SELECTED 3 +	
8	17	AES SELECTED 3 -	AES SELECTED 3 -	
9	5	AES SELECTED 3 G	AES SELECTED 3 GND	
10	18	AES SELECTED 4 +	AES SELECTED 4 +	
11	6	AES SELECTED 4 -	AES SELECTED 4	
12	19	AES SELECTED 4 G	AES SELECTED 4 GND	
13	7			
14	20			
15	8			
16	21			
17	9			
18	22			
19	10			
20	23			
21	11			
22	24			
23	12			
24	25			
25	13			

注意！

Dサブコネクタの接続はHardピン番号で接続してください。

取付ビスは#4-40インチビスを使用して下さい

CAUTION! D-Connector for wiring refer to Hard pin number Description.

GPS714 "AUDIO I/O 1-3" (D25-F #4-40)

Ribbon	Hard	Signal name	Designation	Active
1	1	AUDIO IN 1L+	AUDIO IN 1L HOT	
2	14	AUDIO IN 1L-	AUDIO IN 1L COLD	
3	2	AUDIO IN 1LG	AUDIO IN 1L GND	
4	15	AUDIO IN 1R+	AUDIO IN 1R HOT	
5	3	AUDIO IN 1R-	AUDIO IN 1R COLD	
6	16	AUDIO IN 1RG	AUDIO IN 1R GND	
7	4	AUDIO IN 2L+	AUDIO IN 2L HOT	
8	17	AUDIO IN 2L-	AUDIO IN 2L COLD	
9	5	AUDIO IN 2LG	AUDIO IN 2L GND	
10	18	AUDIO IN 2R+	AUDIO IN 2R HOT	
11	6	AUDIO IN 2R-	AUDIO IN 2R COLD	
12	19	AUDIO IN 2RG	AUDIO IN 2R GND	
13	7	SELECTED L+	SELECTED L HOT	
14	20	SELECTED L-	SELECTED L COLD	
15	8	SELECTED LG	SELECTED L GND	
16	21	SELECTED R+	SELECTED R HOT	
17	9	SELECTED R-	SELECTED R COLD	
18	22	SELECTED RG	SELECTED R GND	
19	10			
20	23			
21	11			
22	24			
23	12			
24	25			
25	13			

CAUTION! D-Connector for wiring refer to Hard pin number Description.

Dサブコネクタの接続はHardピン番号で接続してください。

取付ビスは#4-40インチビスを使用して下さい

GPS714 "REMOTE" (D25-F #4-40)

Ribbon	Hard	Signal name	Designation	Active
1	1	SW COM	SWITCHES COMMON	0V
2	14	LP COM	LAMPS COMMON	+5V
3	2	SW 1-1	SWITCH 1-1	Lo
4	15	LP 1-1	LAMP 1-1	Lo
5	3	SW 1-2	SWITCH 1-2	Lo
6	16	LP 1-2	LAMP 1-2	Lo
7	4	SW 2-1	SWITCH 2-1	Lo
8	17	LP 2-1	LAMP 2-1	Lo
9	5	SW 2-2	SWITCH 2-2	Lo
10	18	LP 2-2	LAMP 2-2	Lo
11	6	SW 3-1	SWITCH 3-1	Lo
12	19	LP 3-1	LAMP 3-1	Lo
13	7	SW 3-2	SWITCH 3-2	Lo
14	20	LP 3-2	LAMP 3-2	Lo
15	8	SW 4-1	SWITCH 4-1	Lo
16	21	LP 4-1	LAMP 4-1	Lo
17	9	SW 4-2	SWITCH 4-2	Lo
18	22	LP 4-2	LAMP 4-2	Lo
19	10			
20	23			
21	11			
22	24			
23	12			
24	25			
25	13			

CAUTION! D-Connector for wiring refer to Hard pin number Description.
Dサブコネクタの接続はHardピン番号で接続してください。
取付ビスは# 4 - 4 0 インチビスを使用して下さい