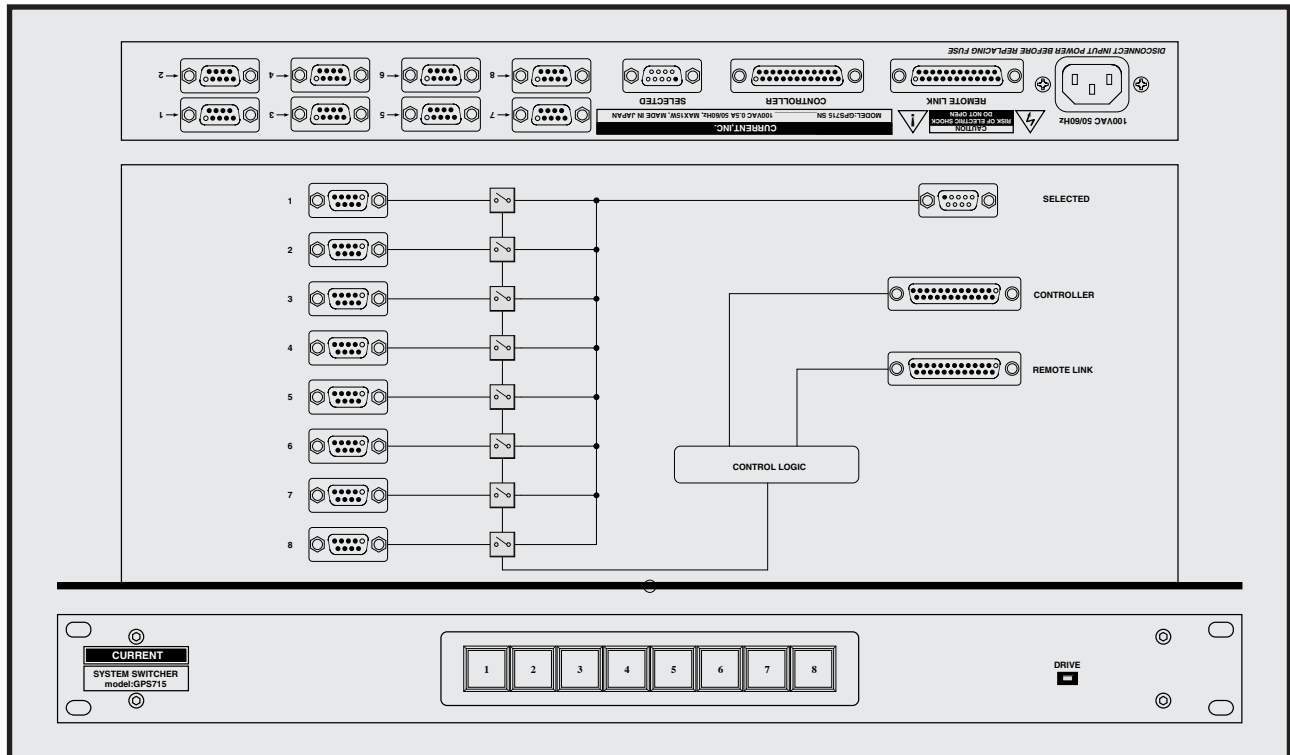


CURRENT PRODUCTS model:GPS715 SERIAL SWITCHER



9P remote switching of 8:1
Local, and remote control is possible
Slave remote output
19 inches 1U size

GPS715 is serial 9P selector of 8:1.
It receives the tarry such as a main unit switch, a remote box, the video switcher and works with remote.

"Input and output"
Because Dsub9P is female as for the input, and the output is a Dsub9P male, it is connected directly and, in the case of system check, the trouble, can bypass the cable.

"Switching"
It is replaced via a period of all off of one second when it pushes each 1-8 switches. The tarry indication turns on when it pressed the switch. In addition, it is all off by a multiplex push prohibition logic when it pushes the plural switches. In addition, the first is chosen in power-up. In addition, it can use even a use other than the 9P remote because it is all pins switching scheme.

"Others"
Optional remote box RMS283 can be connected directly with a remote connector. In addition, can refer because it produces the system switcher of different specifications and the remote control panel.



Remote box : RMS283

CONTROLLER/REMOTE DSub25-F

01 SW COM 0V	14 LP COM +5V
02 SW 1	15 LP 1
03 SW 2	16 LP 2
04 SW 3	17 LP 3
05 SW 4	18 LP 4
06 SW 5	19 LP 5
07 SW 6	20 LP 6
08 SW 7	21 LP 7
09 SW 8	22 LP 8
10	23
11	24
12	25
13	

SPECIFICATIONS

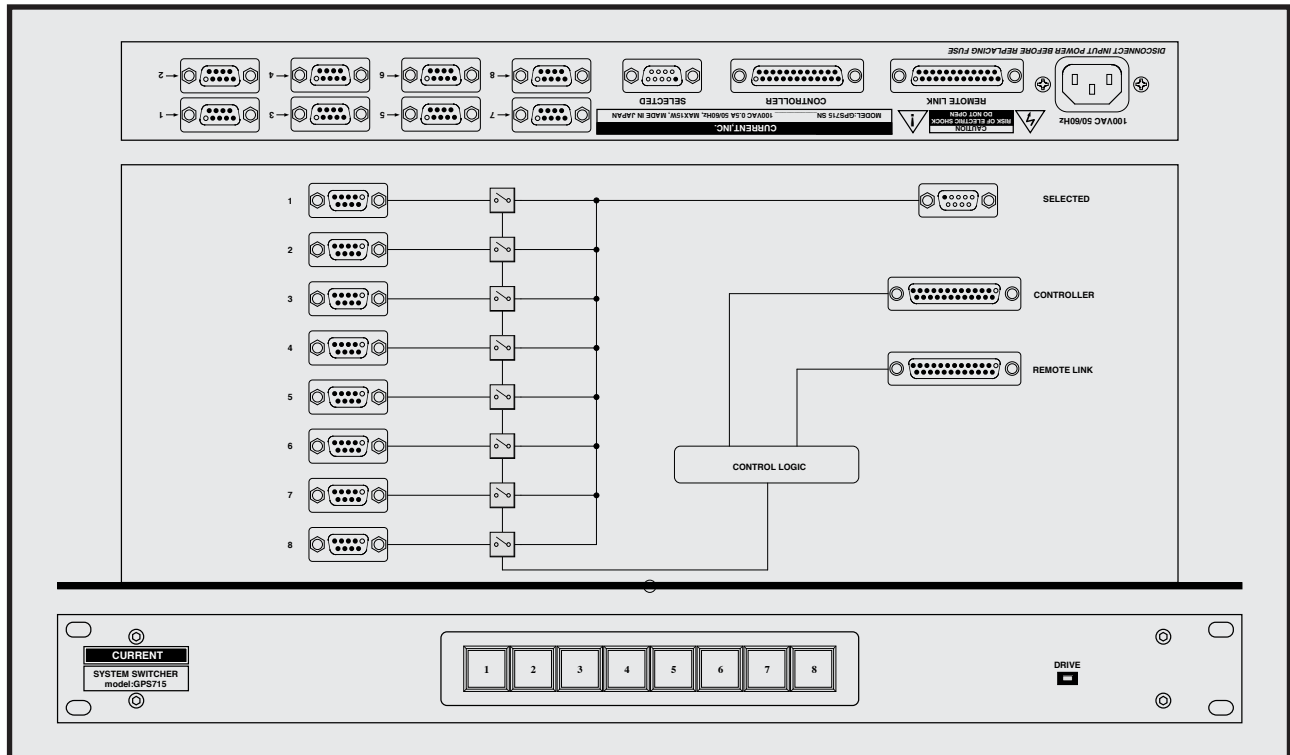
- 🍏 **INPUTS:** 8
- 🍏 **INPUT CONNECTOR:** Dsub9-F (#4-40)
- 🍏 **OUTPUT:** 1
- 🍏 **OUTPUT CONNECTOR:** Dsub9-M (#4-40)
- 🍏 **REMOTE:** Dsub25-F (#4-40)
- 🍏 **REMOTE LINK:** LAMP OF SELECT SW
- 🍏 **ALL OFF PERIOD:** approx 1 sec
- 🍏 **SWITCHING ELEMENT:** RELAY
- 🍏 **SWITCHING PIN:** ALL
- 🍏 **MAINS:** 100VAC 50/60Hz MAX=10W
- 🍏 **DIMENSIONS:** 482Wx44Hx303D 4kg

Switcher	GPS715	¥320,000
Remote box	RMS283	¥96,000
Remote cable 5m	RMS283W5	¥30,000
accessory : AC cable		

The specifications are subject to change without notice.
2-26-11 AKATSUTSUMI, SETAGAYA-KU, TOKYO, 156-0044 JAPAN

MONITOR SYSTEM
HEADPHONES AMP
CUE SYSTEM
SYSTEM AMP
TR. COUGH SYSTEM
COMMUNICATION
MATRIX AMP
AUDIO ROUTER
AUDIO VIDEO
SWITCHER
SYSTEM SWITCHER
EMERGENCY
AUDIO VIDEO
DISTRIBUTOR
METER SYSTEM
ANALOG, DIGITAL
PREAMP MIXER
LEVEL UNIT
DIGITAL AUDIO
FADER UNIT
AUTO FADER
TALLY FADER
CLOCK, TIMER
EVENT SYSTEM
SPECIAL PRODUCTS
ETC.

CURRENT PRODUCTS model:GPS715 SERIAL SWITCHER



8:1 9P remote switch
Local and remote control
Slave remote output
19 inches 1U size

GPS715 is a 9P serial selector of the 8:1. It works by the switch of the main frame, a remote box and the tarry such as video switchers.

"Input-output"

The input connector is DSUB9P female and the output connector is DSUB9P male and it is directly connected and, in the case of system check, a trouble, can bypass the cable.

"Switching"

It is replaced via a period of all OFF of one second when it presses each 1-8 switches. The tarry indication turns on when it pressed the switch. In addition, it is all OFF by a prohibition logic of the multiplex push when it presses the multiple switches. In addition, the first switch is chosen at the time of the power-up. In addition, it can use even an application except the 9P remote because it is all pin switches.

"Others"

Optional remote box 'RMS283' can be directly connected to a remote connector. In addition, please refer about the manufacturing of a system switcher and the remote control panel of different specifications.



Remote box : RMS283

CONTROLLER/REMOTE DSUB25-F

01 SW COM 0V	14 LP COM +5V
02 SW 1	15 LP 1
03 SW 2	16 LP 2
04 SW 3	17 LP 3
05 SW 4	18 LP 4
06 SW 5	19 LP 5
07 SW 6	20 LP 6
08 SW 7	21 LP 7
09 SW 8	22 LP 8
10	23
11	24
12	25
13	

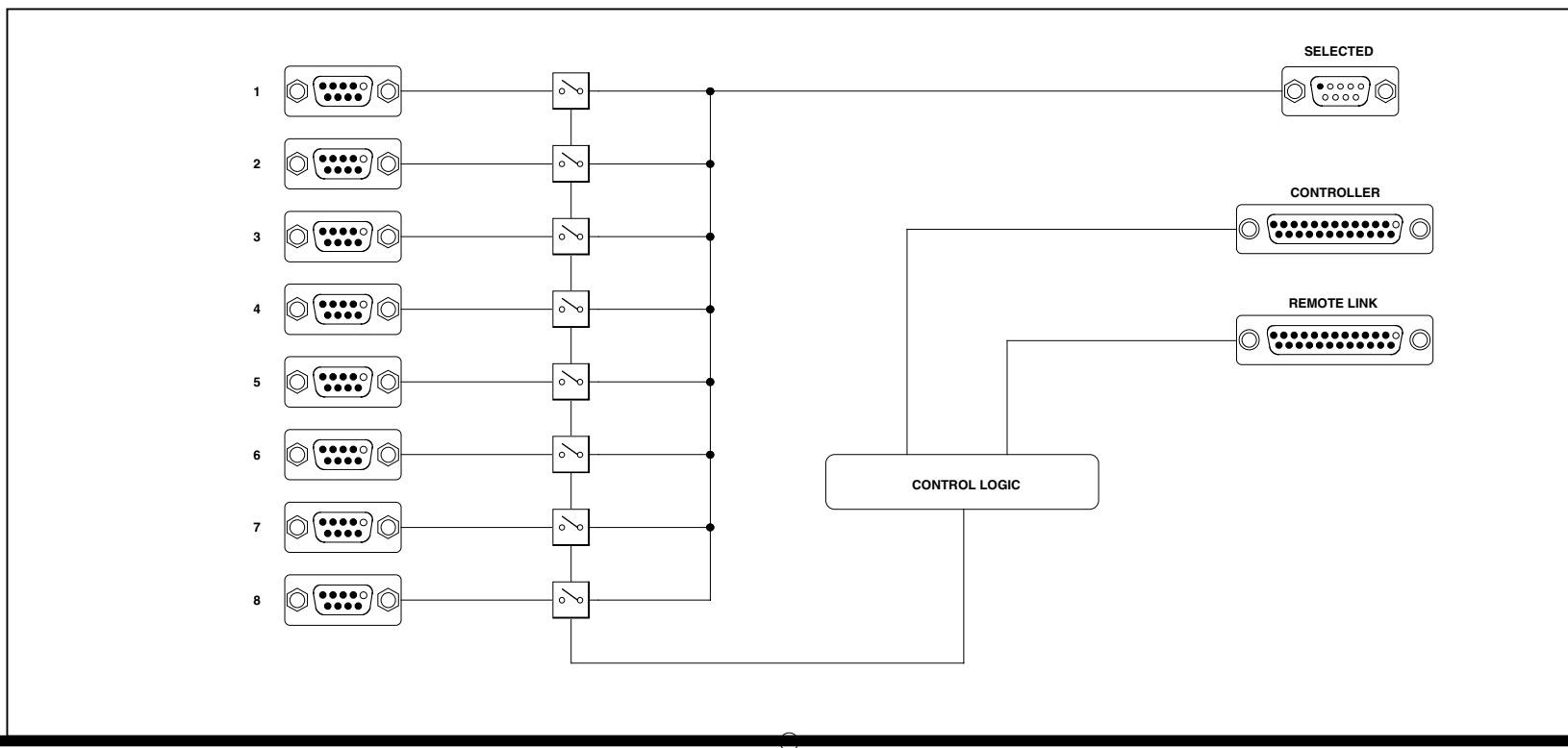
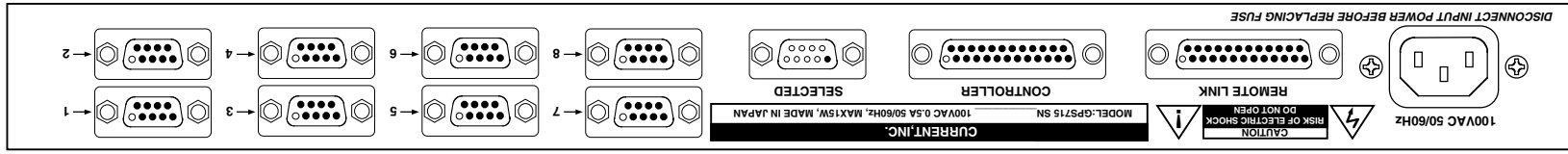
SPECIFICATIONS

- 🍏 **INPUTS:** 8
- 🍏 **INPUT CONNECTOR:** Dsub9-F (#4-40)
- 🍏 **OUTPUT:** 1
- 🍏 **OUTPUT CONNECTOR:** Dsub9-M (#4-40)
- 🍏 **REMOTE:** Dsub25-F (#4-40)
- 🍏 **REMOTE LINK:** LAMP OF SELECT SW
- 🍏 **ALL OFF PERIOD:** approx 1 sec
- 🍏 **SWITCHING ELEMENT:** RELAY
- 🍏 **SWITCHING PIN:** ALL
- 🍏 **MAINS:** 100VAC 50/60Hz MAX=10W
- 🍏 **DIMENSIONS:** 482Wx44Hx303D 4kg

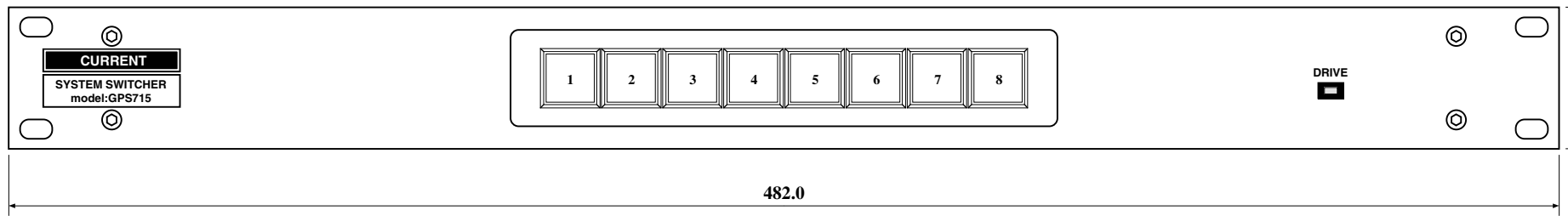
Switcher	GPS715	¥320,000
Remote box	RMS283	¥96,000
Remote cable 5m	RMS283W5	¥30,000
accessory : AC cable		

The specifications are subject to change without notice.
2-26-11 AKATSUTSUMI, SETAGAYA-KU, TOKYO, 156-0044 JAPAN

MONITOR SYSTEM
HEADPHONES AMP
CUE SYSTEM
SYSTEM AMP
TR. COUGH SYSTEM
COMMUNICATION
MATRIX AMP
AUDIO ROUTER
AUDIO VIDEO
SWITCHER
SYSTEM SWITCHER
EMERGENCY
AUDIO VIDEO
DISTRIBUTOR
METER SYSTEM
ANALOG, DIGITAL
PREAMP MIXER
LEVEL UNIT
DIGITAL AUDIO
FADER UNIT
TALLY FADER
AUTO FADER
CLOCK, TIMER
EVENT SYSTEM
SPECIAL PRODUCTS
ETC.



302.6



(c)CURRENT,INC.	SERIAL SWITCHER GPS715	May.2003
H.ICHIHASHI	PANEL DIAGRAM	GPS715-D

GPS715 "REMOTE/LINK" D25-F(#4-40) Connector Pin List

Ribbon	Hard	Signal name	Designation	Active
1	1	0V	SWITCHES COMMON	0V
2	14	+5V	LAMPS COMMON	+5V
3	2	S1	SELECT SWITCH 1	Lo
4	15	LP1	SELECT TALLY 1	Lo
5	3	S2	SELECT SWITCH 2	Lo
6	16	LP2	SELECT TALLY 2	Lo
7	4	S3	SELECT SWITCH 3	Lo
8	17	LP3	SELECT TALLY 3	Lo
9	5	S4	SELECT SWITCH 4	Lo
10	18	LP4	SELECT TALLY 4	Lo
11	6	S5	SELECT SWITCH 5	Lo
12	19	LP5	SELECT TALLY 5	Lo
13	7	S6	SELECT SWITCH 6	Lo
14	20	LP6	SELECT TALLY 6	Lo
15	8	S7	SELECT SWITCH 7	Lo
16	21	LP7	SELECT TALLY 7	Lo
17	9	S8	SELECT SWITCH 8	Lo
18	22	LP8	SELECT TALLY 8	Lo
19	10			
20	23			
21	11			
22	24			
23	12			
24	25			
25	13			

注意！

Dサブコネクタの接続はHardピン番号で接続してください。

取付ビスは# 4 - 40インチビスを使用して下さい

CAUTION! D-Connector for wiring refer to Hard pin number Description.