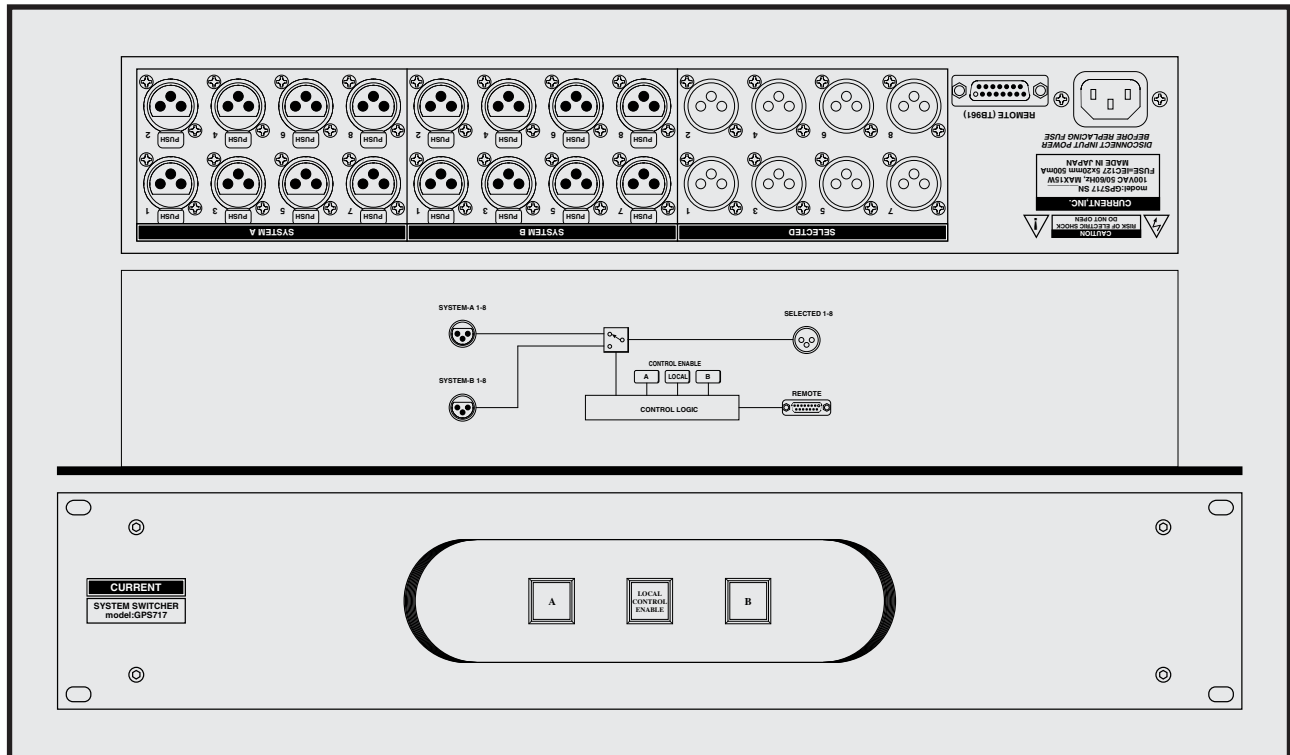


# CURRENT PRODUCTS model:GPS717 SYSTEM SWITCHER



2:1 Analog 8ch  
Super low noise  
Super low crosstalk  
Remote controllable  
19 inches 2U size

**GPS717 is a system switcher at 2:1 of 8ch in XLR. It allows the connection of every equipment and signal by all pin switches by the relay.**

### "Switching"

GPS717 allows the connection of every equipment and signal by all pin switches by the relay.

### "Supporting signal"

It supports an analog audio, digital audio and control signals of every kind.

### "Control"

It can control GPS717 via a switch of the front panel and a GPI connector of the rear panel. The switch of the front panel does not work for prevention of misoperation if it does not press down ENABLE button at the same time. In addition, 'A' is chosen at the time of power-off and the power-up.

### "Remote unit"

'TB961' can be directly connected in external remote.

### "Others"

In addition, please refer about the system switcher of different specifications and the manufacturing of the remote control panel.

### REMOTE DSUB15-F

01	09
02 LP COM +5V	10 SW COM 0V
03 SW B	11 LP B
04 SW A	12 LP A
05	13
06	14
07	15
08	



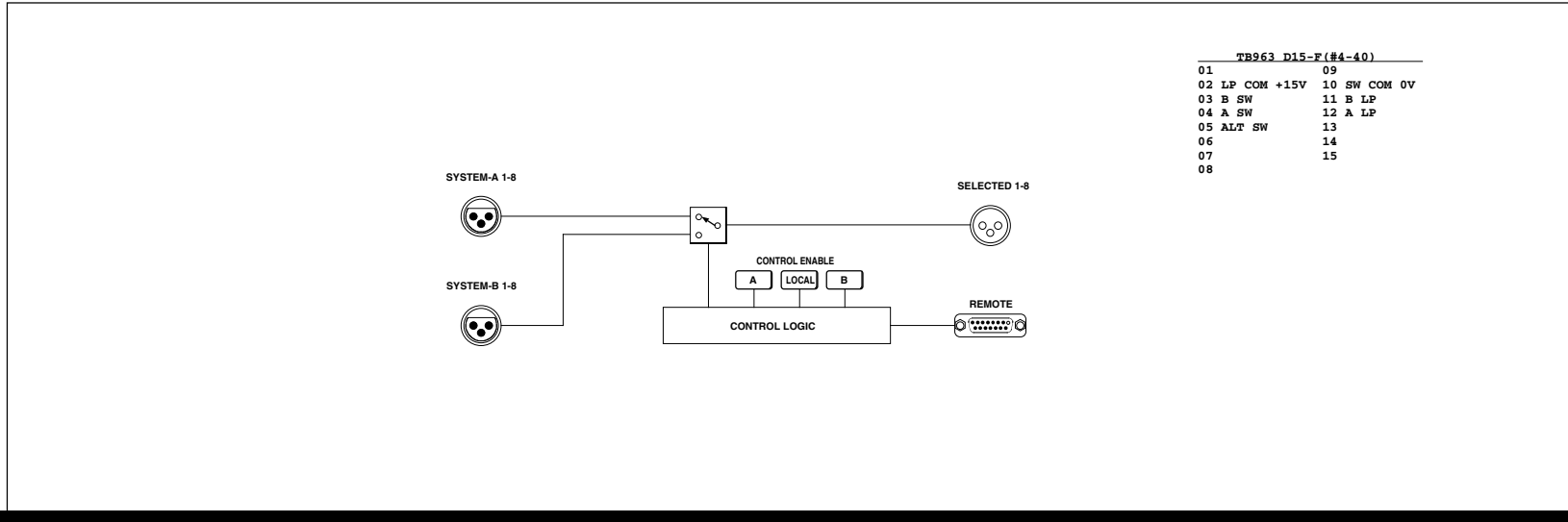
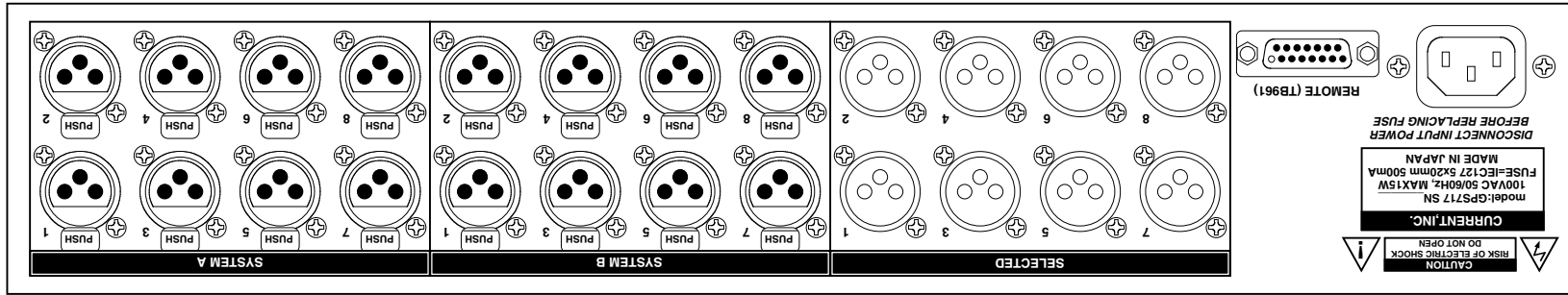
## SPECIFICATIONS

- 🍏 INPUTS A1-8, B1-8: XLR3-F
- 🍏 INPUT REFERENCE LEVEL: +4dBu, MAX=+24dBu
- 🍏 SELECTED OUTPUTS 1-8: XLR3-M
- 🍏 OUTPUT REFERENCE LEVEL: +4dBu, MAX=+24dBu
- 🍏 CONTROL: FRONT PANEL, REMOTE
- 🍏 FREQUENCY RESPONSE: 10~100kHz ±0.1dB
- 🍏 THD: <0.001% at 1kHz, at REFERENCE LEVEL
- 🍏 NOISE: <-90dBu at REFERENCE LEVEL
- 🍏 SWITCHING ELEMENT: RELAY
- 🍏 MAINS: 100-120VAC 50/60Hz MAX=10W
- 🍏 DIMENSIONS: 482Wx88Hx303D 5kg

System switcher	GPS717	¥560,000
Remote box	TB961	¥64,000
Remote cable 5m	TB961W	¥32,000
accessory : AC cable		

The specifications are subject to change without notice.  
2-26-11 AKATSUTSUMI, SETAGAYA-KU, TOKYO, 156-0044 JAPAN

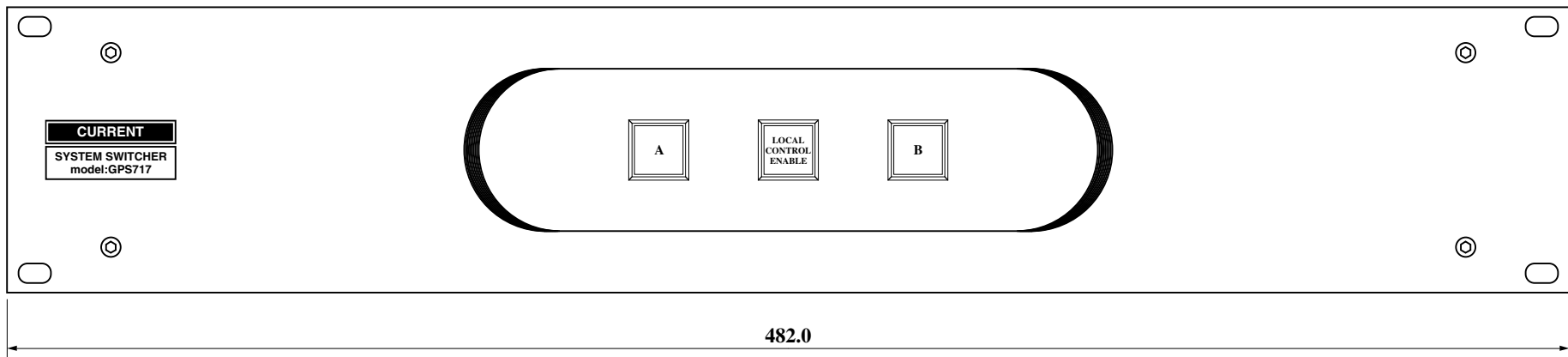
MONITOR SYSTEM  
HEADPHONES AMP  
CUE SYSTEM  
COMMUNICATION  
TB-COUGH SYSTEM  
MATRIX AMP  
AUDIO ROUTER  
AUDIO VIDEO  
SYSTEM SWITCHER  
EMERGENCY  
AUDIO VIDEO  
DISTRIBUTOR  
METER SYSTEM  
ANALOG, DIGITAL  
PREAMP MIXER  
LEVEL UNIT  
DIGITAL AUDIO  
FADER UNIT  
AUTO FADER  
TALLY FADER  
CLOCK TIMER  
EVENT SYSTEM  
SPECIAL PRODUCTS  
ETC.



TB963 D15-F(#4-40)

01	09
02 LP COM +15V	10 SW COM 0V
03 B SW	11 B LP
04 A SW	12 A LP
05 ALT SW	13
06	14
07	15
08	

302.6



88.0

482.0

(c)CURRENT,INC.	SYSTEM SWITCHER GPS717	Jan.2016
H.ICHIHASHI	PANEL DIAGRAM	GPS717-D

# GPS717 Connector Pin List

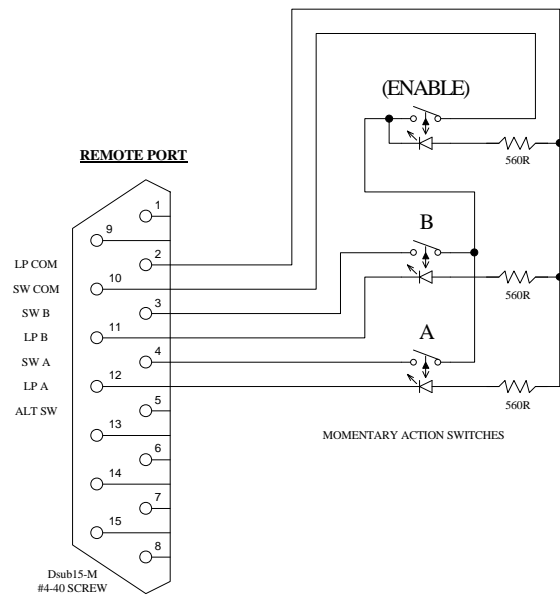
## GPS717 rev2 "Remote(TB961T)" Dsub15-F(#4-40)

Ribbon	Hard	Signal name	Designation	Active
1	1			
2	9			
3	2	LP COM	LAMPS COMMON	+5V
4	10	SW COM	SWITCHES COMMON	0V
5	3	S-B	SELECT SWITCH B	Lo
6	11	B-B	SELECT TALLY B	Lo
7	4	S-A	SELECT SWITCH A	Lo
8	12	B-A	SELECT TALLY A	Lo
9	5	S-ALT	ALTERNATE COMMAND	Lo
10	13			
11	6			
12	14			
13	7			
14	15			
15	8			

**CAUTION! D-Connector for wiring refer to Hard pin number Description. Mounting screw for D-connector use #4-40 size.**

**注意！ Dサブコネクタの接続はHardピン番号で接続してください。取付ビスは#4-40インチビスです。**

# CHANGE OVER CONTROL



# ALTERNATE CONTROL

