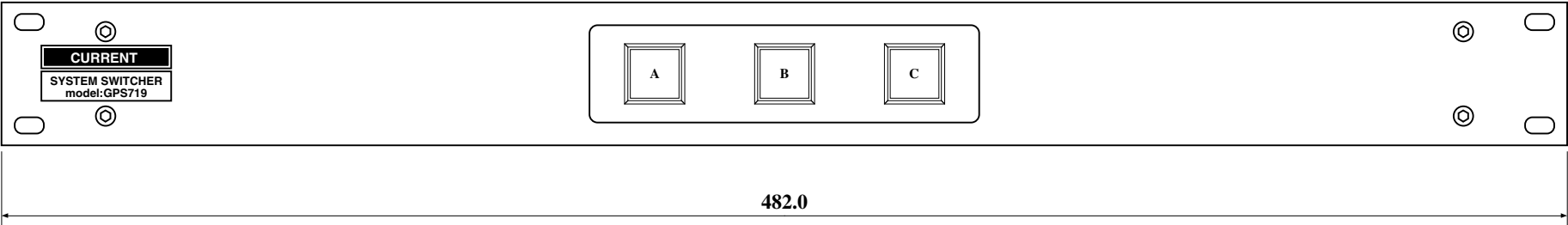
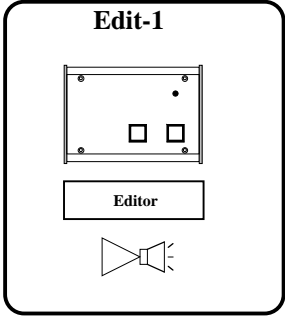
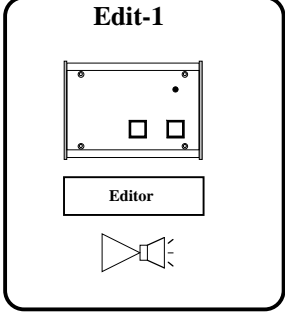
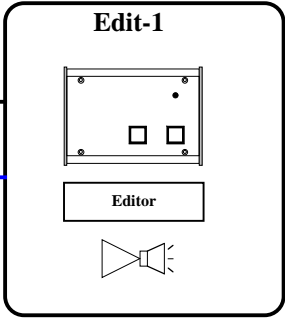
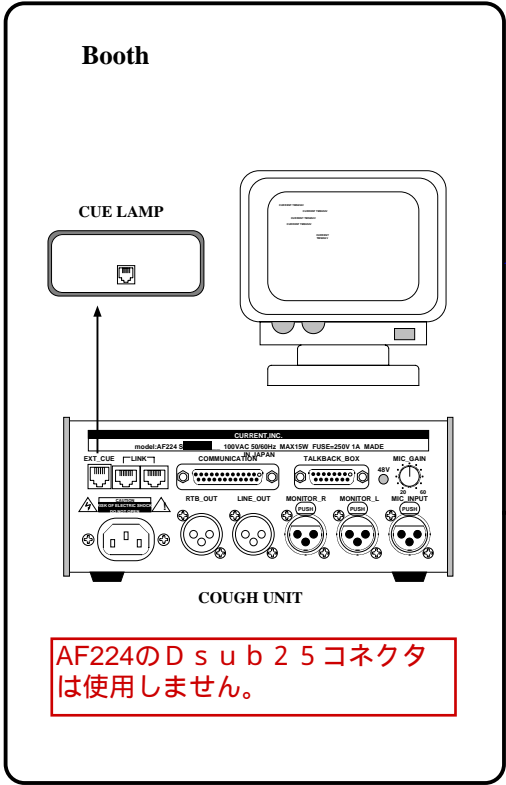
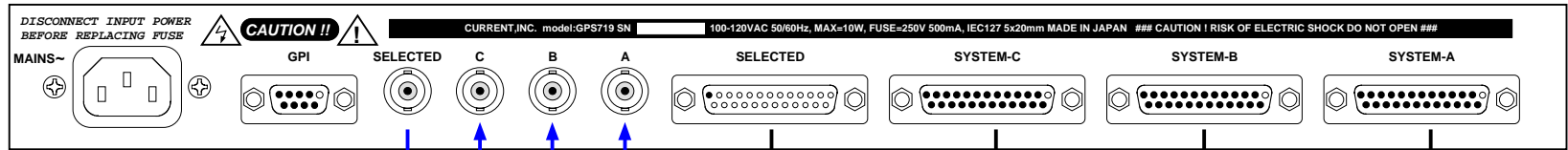


302.6



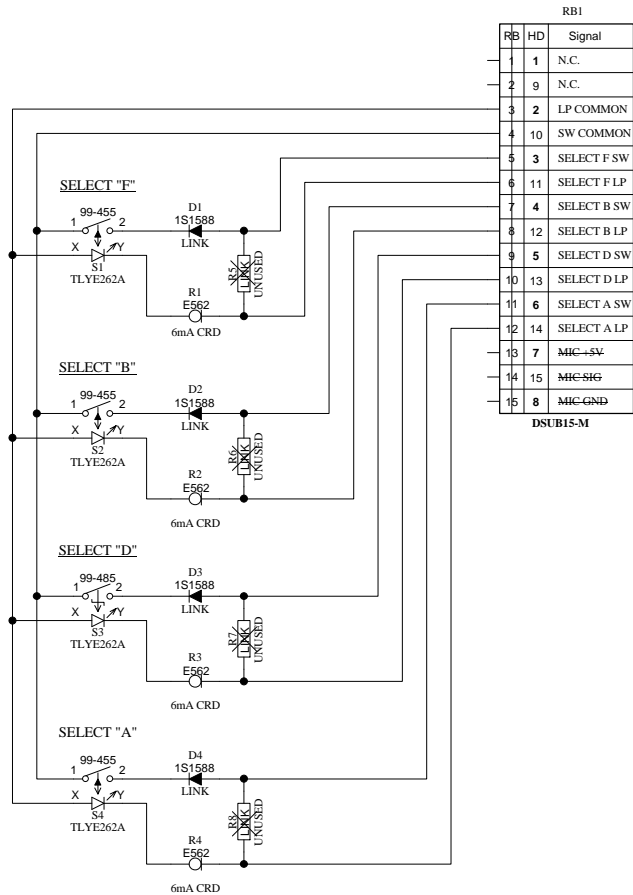
Jun.2007

(c)CURRENT,INC.	GPS719 SYSTEM SWITCHER	Jun.2005
H.ICHIHASHI	PANEL DIAGRAM	GPS719-D2007



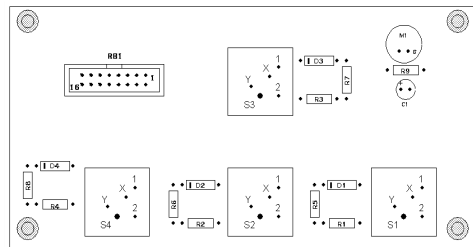
CURRENT,INC.	SYSTEM SWITCHER GPS719	Jun.2005
H.ICHIHASHI	PANEL DIAGRAM	GPS719-system

TB961-28



RBI		
RB	HD	Signal
1	1	N.C.
2	9	N.C.
3	2	LP COMMON
4	10	SW COMMON
5	3	SELECT F SW
6	11	SELECT F LP
7	4	SELECT B SW
8	12	SELECT B LP
9	5	SELECT D SW
10	13	SELECT D LP
11	6	SELECT A SW
12	14	SELECT A LP
13	7	MIC +5V
14	15	MIC SIG
15	8	MIC GND

DSUB15-M

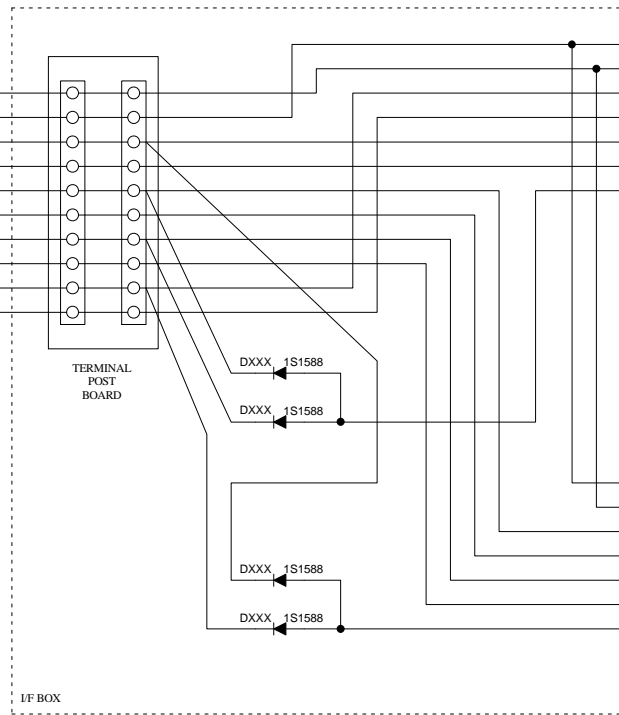


A B F

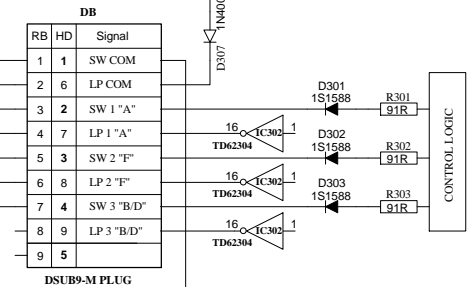
REMOTE I/F

DB		
Signal	HD	RB
	1	1
	9	2
LP COMMON	2	3
SW COMMON	10	4
SELECT F SW	3	5
SELECT F LP	11	6
SELECT B SW	4	7
SELECT B LP	12	8
SELECT D SW	5	9
SELECT D LP	13	10
SELECT A SW	6	11
SELECT A LP	14	12
	7	13
	15	14
	8	15

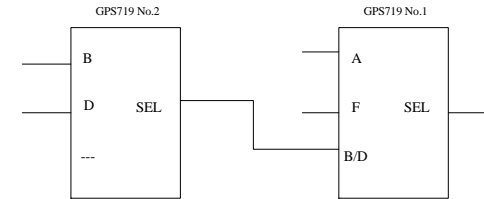
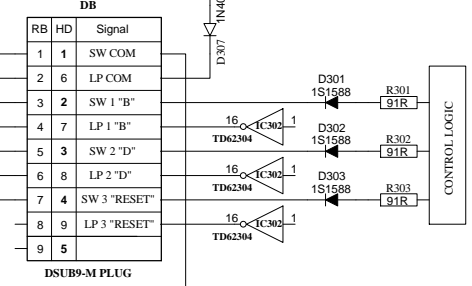
DSUB15-F PLUG



GPS719 No.1



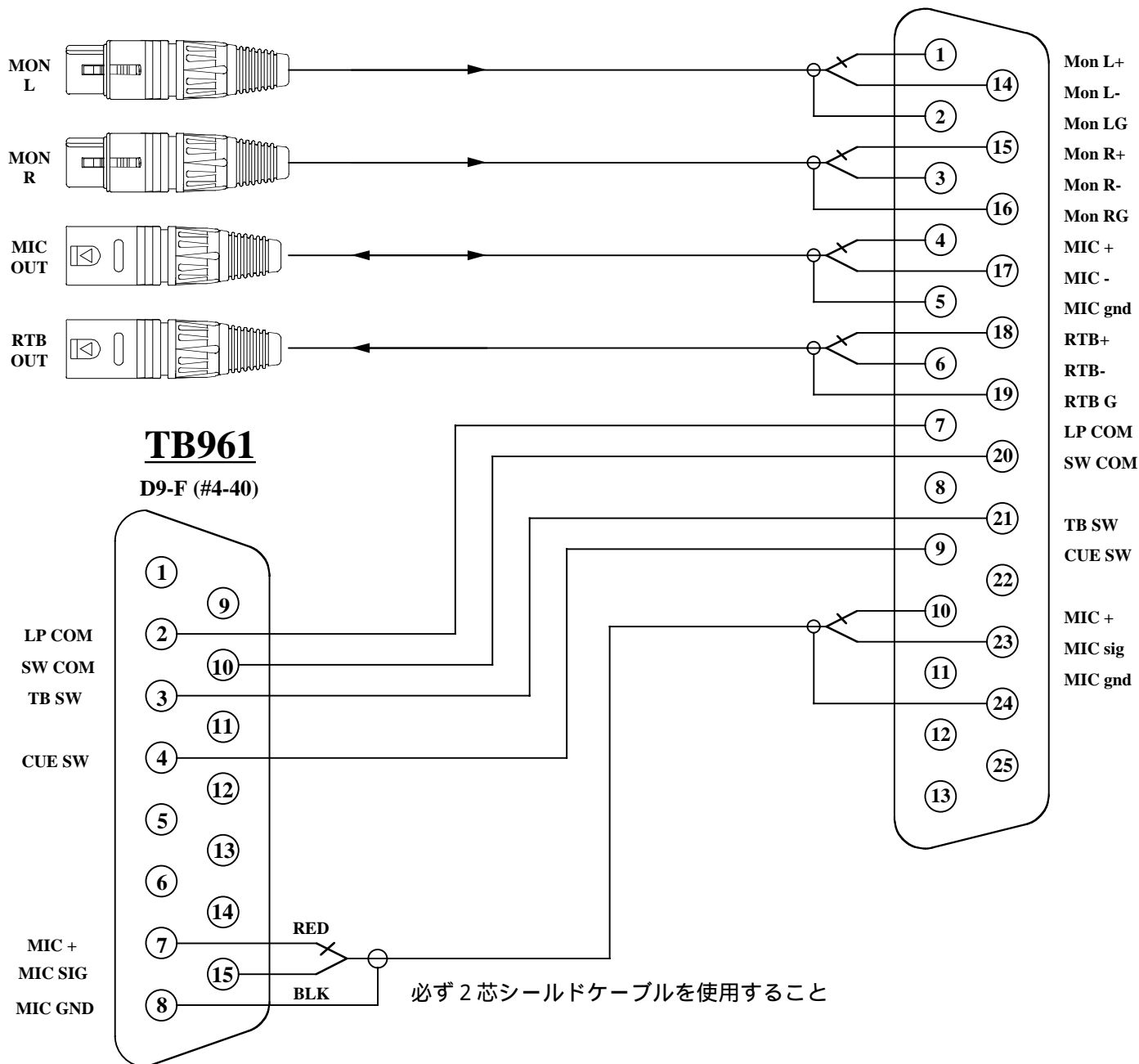
GPS719 No.2



Edit Room 1,2,3

GPS719 System A,B,C

D25-M(#4-40)

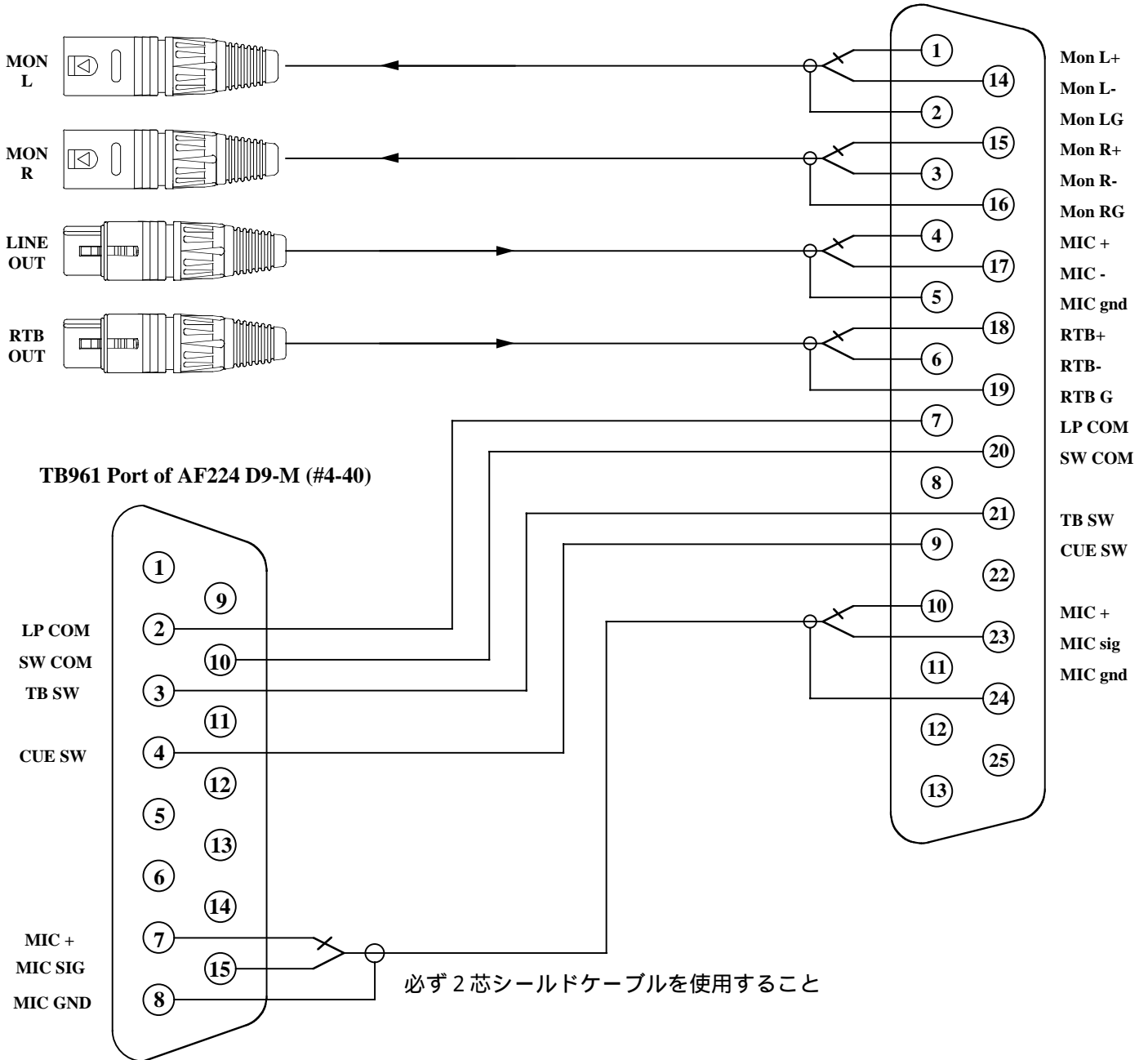


(c)CURRENT,INC.	GPS719	Jun.2005
H.ICHIHASHI	"SYSTEM A,B,C" CABLE	GPS719-w-ABC

AF224

GPS719 Selected

D25-F (#4-40)



(c)CURRENT,INC.	GPS719	Jun.2005
H.ICHIHASHI	"SELECTED OUT" CABLE	GPS719-w-selected

GPS719 "SYSTEM A/B" D25-F(#4-40) Connector Pin List

Ribbon	Hard	Signal name	Designation	Active
1	1	CH-1+	CH-1 HOT	
2	14	CH-1-	CH-1 COLD	
3	2	CH-1G	CH-1 GND	
4	15	CH-2+	CH-2 HOT	
5	3	CH-2-	CH-2 COLD	
6	16	CH-2G	CH-2 GND	
7	4	CH-3+	CH-3 HOT	
8	17	CH-3-	CH-3 COLD	
9	5	CH-3G	CH-3 GND	
10	18	CH-4+	CH-4 HOT	
11	6	CH-4-	CH-4 COLD	
12	19	CH-4G	CH-4 GND	
13	7	CH-5+	CH-5 HOT	
14	20	CH-5-	CH-5 COLD	
15	8	CH-5G	CH-5 GND	
16	21	CH-6+	CH-6 HOT	
17	9	CH-6-	CH-6 COLD	
18	22	CH-6G	CH-6 GND	
19	10	CH-7+	CH-7 HOT	
20	23	CH-7-	CH-7 COLD	
21	11	CH-7G	CH-7 GND	
22	24	CH-8+	CH-8 HOT	
23	12	CH-8-	CH-8 COLD	
24	25	CH-8G	CH-8 GND	
25	13	N.C.	No Connection	

注意！ Dサブコネクタの接続はHARDピン番号で接続してください。

取付ビスは#4 - 40インチビスを使用して下さい

CAUTION! D-Connector for wiring refer toHard pin number Description.

Mounting screw for D-connector use #4-40 size.

GPS719 "SELECTED" D25-M(#4-40) Connector Pin List

Ribbon	Hard	Signal name	Designation	Active
1	1	CH-1+	CH-1 HOT	
2	14	CH-1-	CH-1 COLD	
3	2	CH-1G	CH-1 GND	
4	15	CH-2+	CH-2 HOT	
5	3	CH-2-	CH-2 COLD	
6	16	CH-2G	CH-2 GND	
7	4	CH-3+	CH-3 HOT	
8	17	CH-3-	CH-3 COLD	
9	5	CH-3G	CH-3 GND	
10	18	CH-4+	CH-4 HOT	
11	6	CH-4-	CH-4 COLD	
12	19	CH-4G	CH-4 GND	
13	7	CH-5+	CH-5 HOT	
14	20	CH-5-	CH-5 COLD	
15	8	CH-5G	CH-5 GND	
16	21	CH-6+	CH-6 HOT	
17	9	CH-6-	CH-6 COLD	
18	22	CH-6G	CH-6 GND	
19	10	CH-7+	CH-7 HOT	
20	23	CH-7-	CH-7 COLD	
21	11	CH-7G	CH-7 GND	
22	24	CH-8+	CH-8 HOT	
23	12	CH-8-	CH-8 COLD	
24	25	CH-8G	CH-8 GND	
25	13	N.C.	No Connection	

全てのGNDは内部で接続されています。

注意！ Dサブコネクタの接続はHARDピン番号で接続してください。

取付ビスは#4 - 40インチビスを使用して下さい

CAUTION! D-Connector for wiring refer toHard pin number Description.

Mounting screw for D-connector use #4-40 size.

GPS719 "GPI" D9-F(#4-40) Connector Pin List

Ribbon	Hard	Signal name	Designation	Active
1	1	SW COM	SWITCH COMMON	0V
2	6	LP COM	LAMP COMMON	+5V
3	2	SW 1	SELECT SWITCH 1	0V
4	7	LP 1	SELECT TALLY 1	0V
5	3	SW 2	SELECT SWITCH 2	0V
6	8	LP 2	SELECT TALLY 2	0V
7	4	SW 3	SELECT SWITCH 3	0V
8	9	LP 3	SELECT TALLY 3	0V
9	5			

注意！ Dサブコネクタの接続はHARDピン番号で接続してください。取付は#4 - 40インチビスです。

CAUTION! D-Connector for wiring refer to Hard pin number Description. Mounting screw for D-connector use #4-40 size.