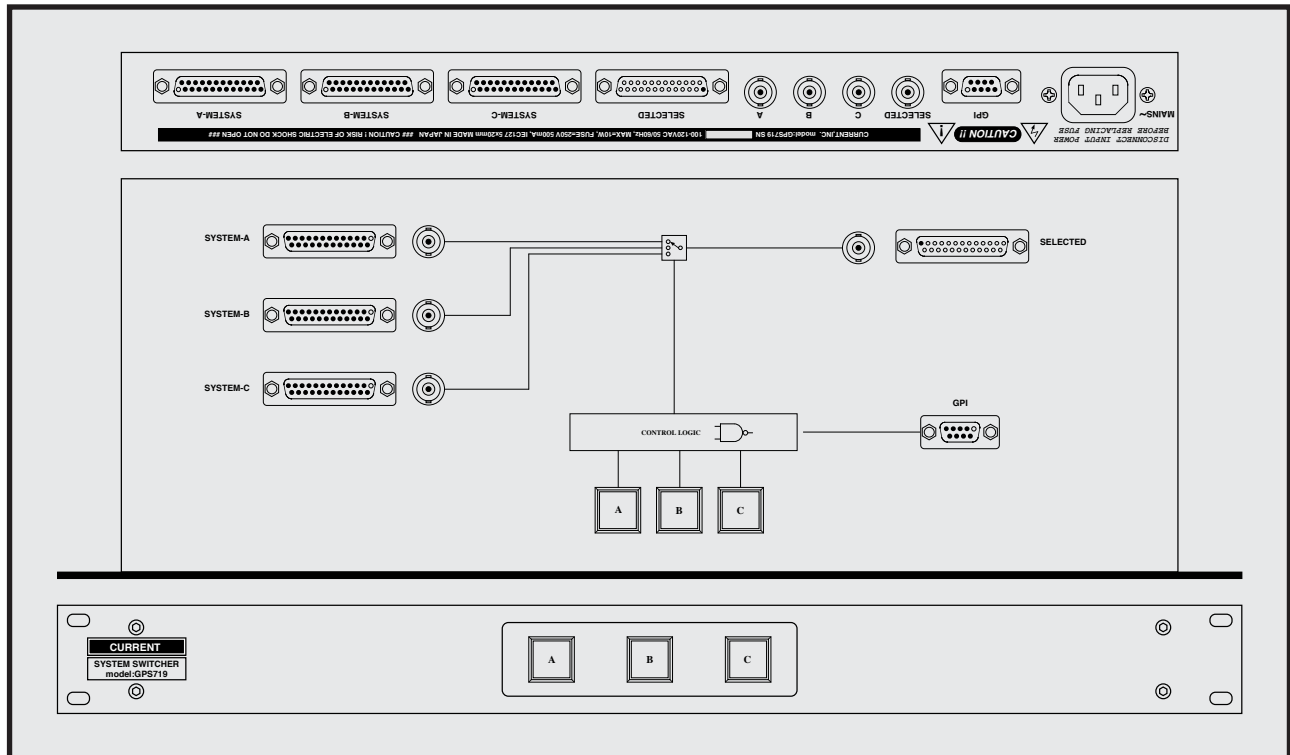


CURRENT PRODUCTS model:GPS719 SYSTEM SWITCHER



3:1 system switcher
Balanced 8ch, unbalanced 1ch
Analog audio, digital audio support
Composite video support
Remote controllable
19 inches 1U size

GPS719 is a system switcher at 3:1, and the switching with Dsub25 connector and the BNC connector for 8ch balance signals is possible. It allows connection of system A even at the time of power-off by using a relay for a switch element.

"Switching"

GPS719 allows the connection of every equipment and signal by all pin switches by the relay. System 'A' is bypassed at the time of the power-off, and this is safe in emergency.

"Supporting signal"

The Dsub25 connector adapts to the analog audio of balance specifications and adapts to digital audio and control signals of every kind. It can use the BNC connector for an analog audio, digital audio, word clock and a composite video.

"Termination"

It is loaded between hot and cold to the Dsub25 port which is not chosen about 10KΩ. Likewise, as for the BNC port, it is loaded 75 Ω.

"Control"

It can control GPS719 via a switch of the front panel and a GPI connector of the rear panel. "A" is chosen at the time of the power-up automatically. In addition, "A" is chosen on the power-off.

"Others"

In addition, please refer about the manufacturing of a system switcher and the remote control panel of different specifications.

GPI port Dsub9-F (#4-40)

1 SW COM 0V	6 LP COM +5V
2 SW 1	7 LP 1
3 SW 2	8 LP 2
4 SW 3	9 LP 3
5	



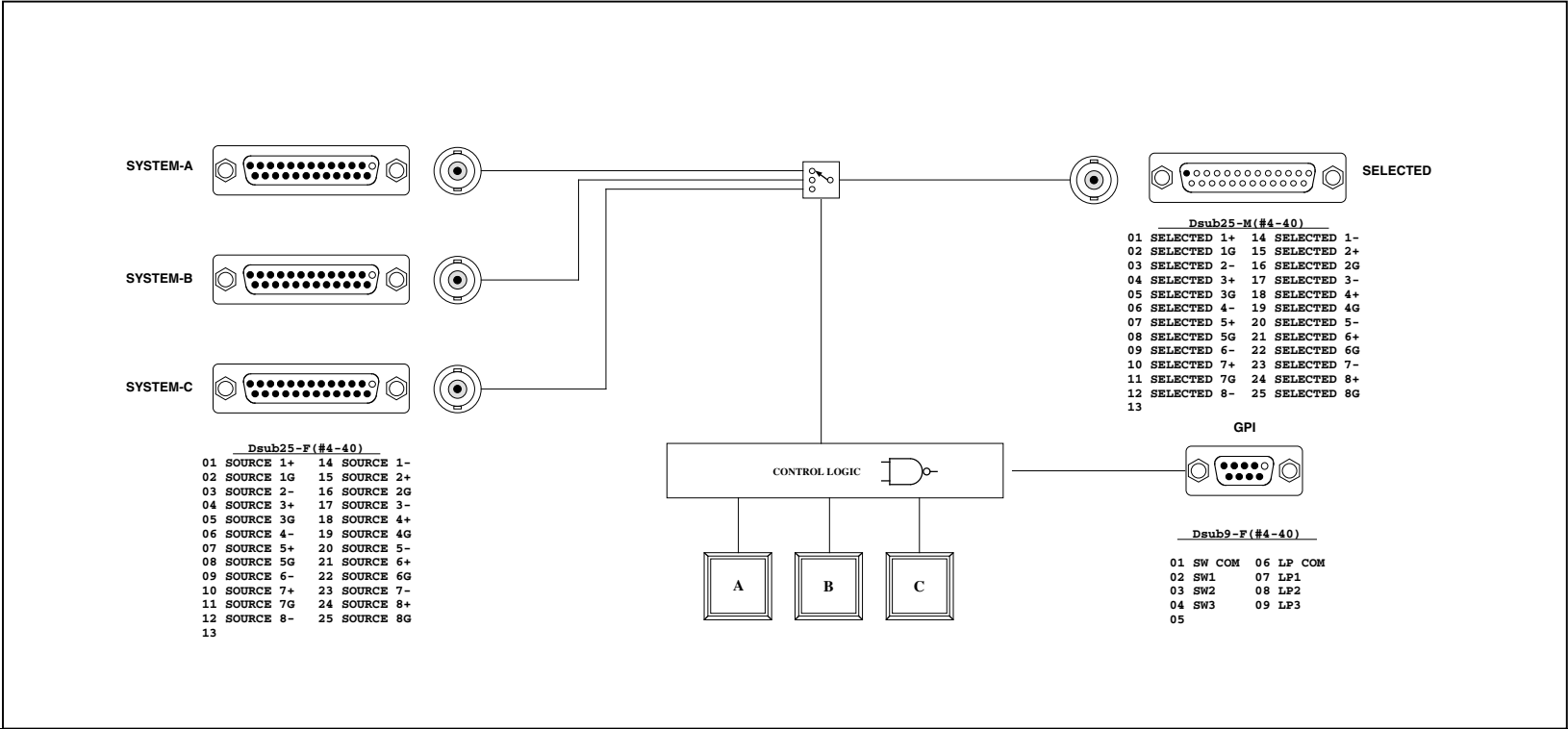
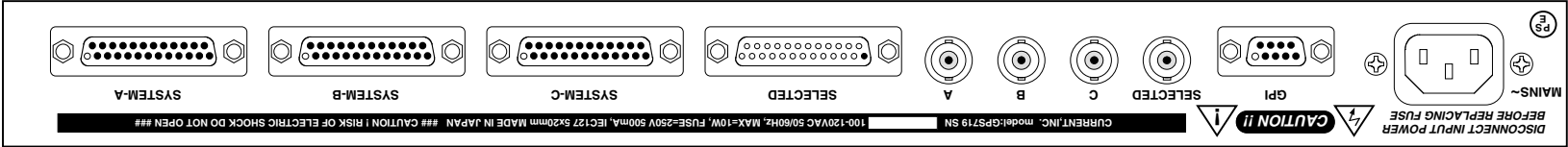
SPECIFICATIONS

- ♣ **BALANCED INPUTS A,B,C:** Dsub25-F (#4-40)
- ♣ **BALANCED SELECTED:** Dsub25-M (#4-40)
- ♣ **UNBALANCED INPUTS A,B,C:** BNC
- ♣ **UNBALANCED SELECTED:** BNC
- ♣ **CONTROL:** FRONT PANEL, GPI (Dsub9-F #4-40)
- ♣ **SWITCHING ELEMENT:** RELAY
- ♣ **MAINS:** 100-120VAC 50/60Hz MAX=10W
- ♣ **DIMENSIONS:** 482Wx44Hx303D 4kg

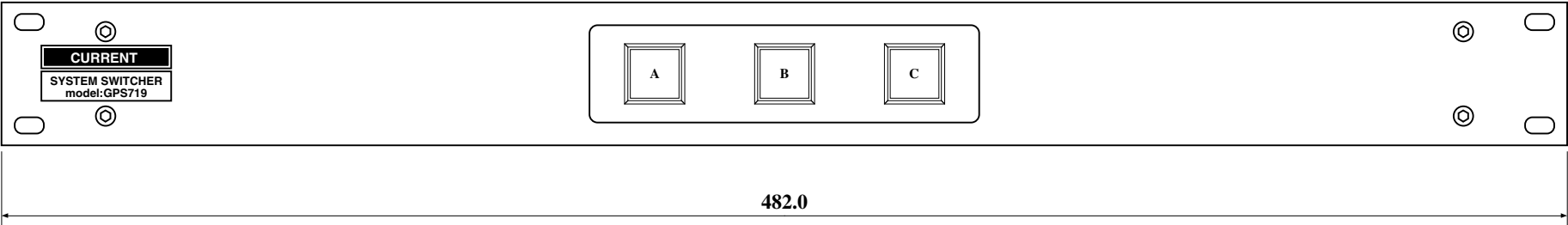
System switcher	GPS719	¥480,000
accessory : AC cable		

The specifications are subject to change without notice.
2-26-11 AKATSUTSUMI, SETAGAYA-KU, TOKYO, 156-0044 JAPAN

MONITOR SYSTEM
HEADPHONES AMP
CUE SYSTEM
COMMUNICATION
TB, COUGH SYSTEM
MATRIX AMP
AUDIO ROUTER
AUDIO VIDEO
SWITCHER
SYSTEM SWITCHER
EMERGENCY
AUDIO VIDEO
DISTRIBUTOR
METER SYSTEM
ANALOG, DIGITAL
PREAMP MIXER
LEVEL UNIT
DIGITAL AUDIO
FADER UNIT
AUTO FADER
TALLY FADER
CLOCK TIMER
EVENT SYSTEM
SPECIAL PRODUCTS
ETC.

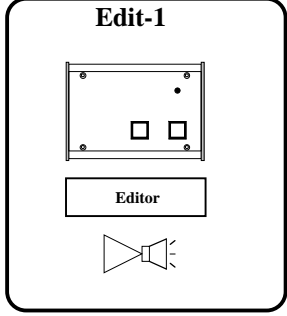
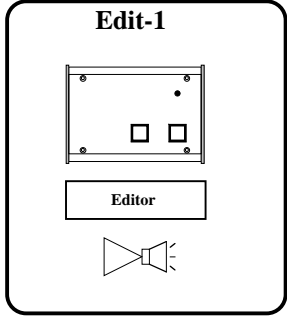
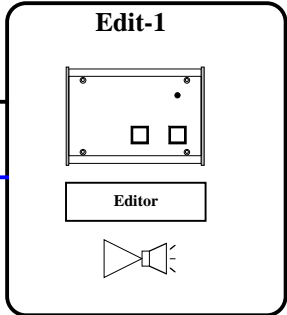
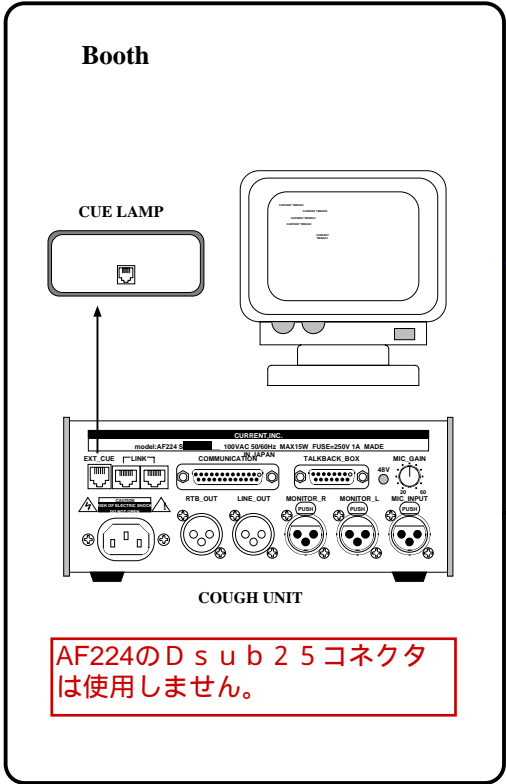
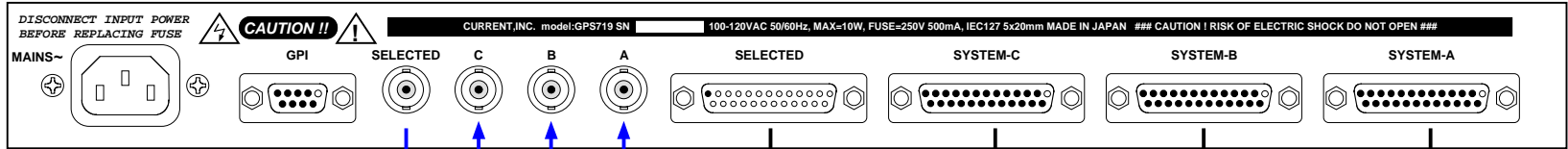


302.6



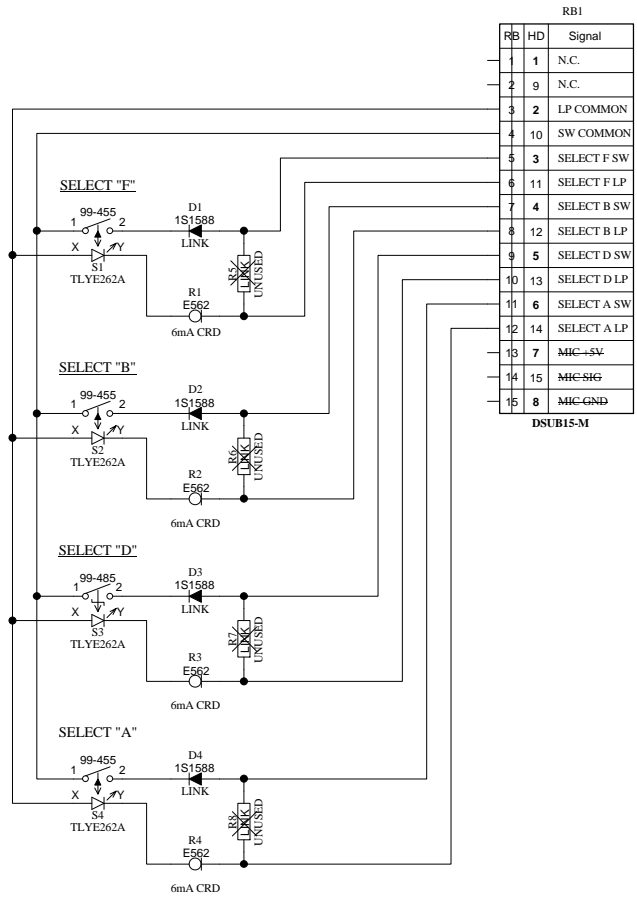
Jun.2007

(c)CURRENT,INC.	GPS719 SYSTEM SWITCHER	Jun.2005
H.ICHIHASHI	PANEL DIAGRAM	GPS719-D2007



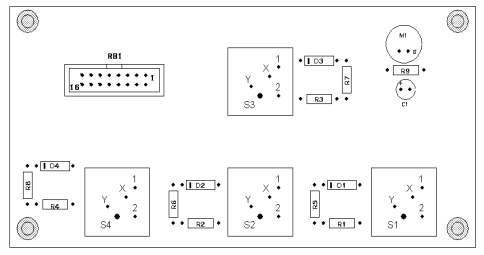
CURRENT,INC.	SYSTEM SWITCHER GPS719	Jun.2005
H.ICHIHASHI	PANEL DIAGRAM	GPS719-system

TB961-28



RB1		
RB	HD	Signal
1	1	N.C.
2	9	N.C.
3	2	LP COMMON
4	10	SW COMMON
5	3	SELECT F SW
6	11	SELECT F LP
7	4	SELECT B SW
8	12	SELECT B LP
9	5	SELECT D SW
10	13	SELECT D LP
11	6	SELECT A SW
12	14	SELECT A LP
13	7	MIC +5V
14	15	MIC SIG
15	8	MIC GND

DSUB15-M

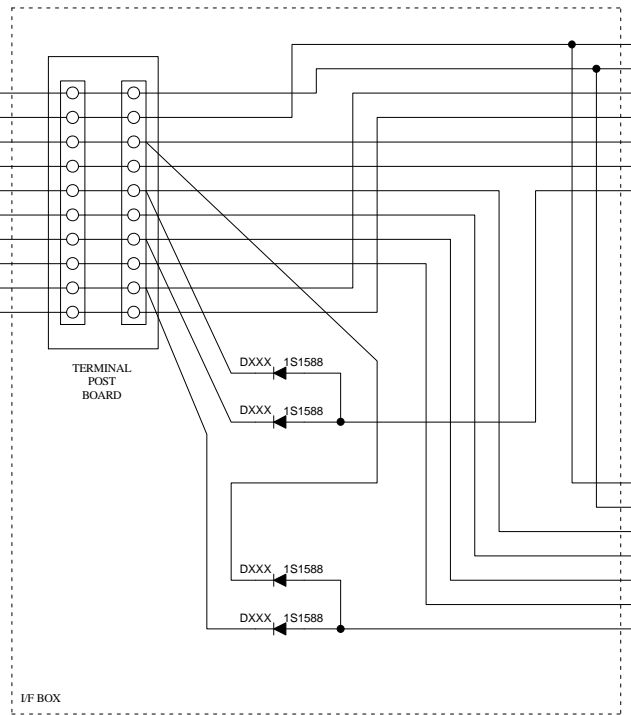


A B F

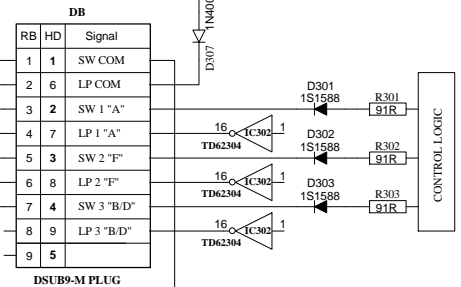
REMOTE I/F

DB		
Signal	HD	RB
	1	1
	9	2
LP COMMON	2	3
SW COMMON	10	4
SELECT F SW	3	5
SELECT B SW	4	7
SELECT B LP	11	6
SELECT B LP	12	8
SELECT D SW	5	9
SELECT D LP	13	10
SELECT A SW	6	11
SELECT A LP	14	12
	7	13
	15	14
	8	15

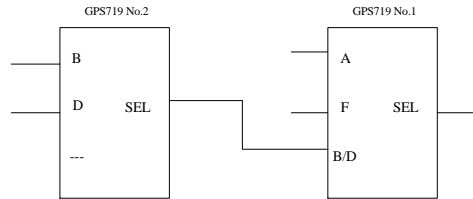
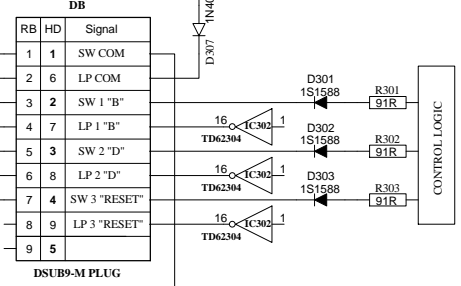
DSUB15-F PLUG



GPS719 No.1



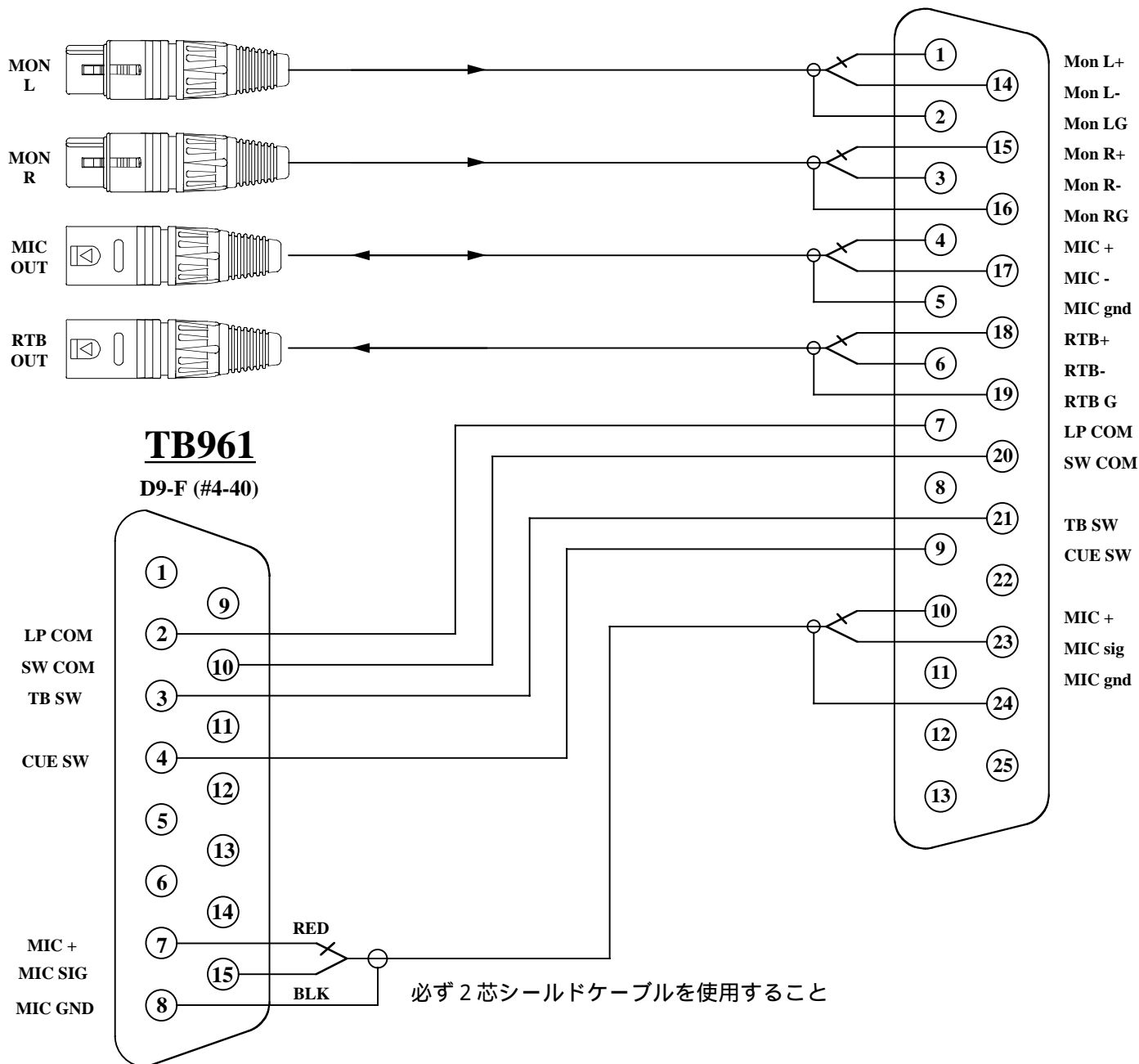
GPS719 No.2



Edit Room 1,2,3

GPS719 System A,B,C

D25-M(#4-40)

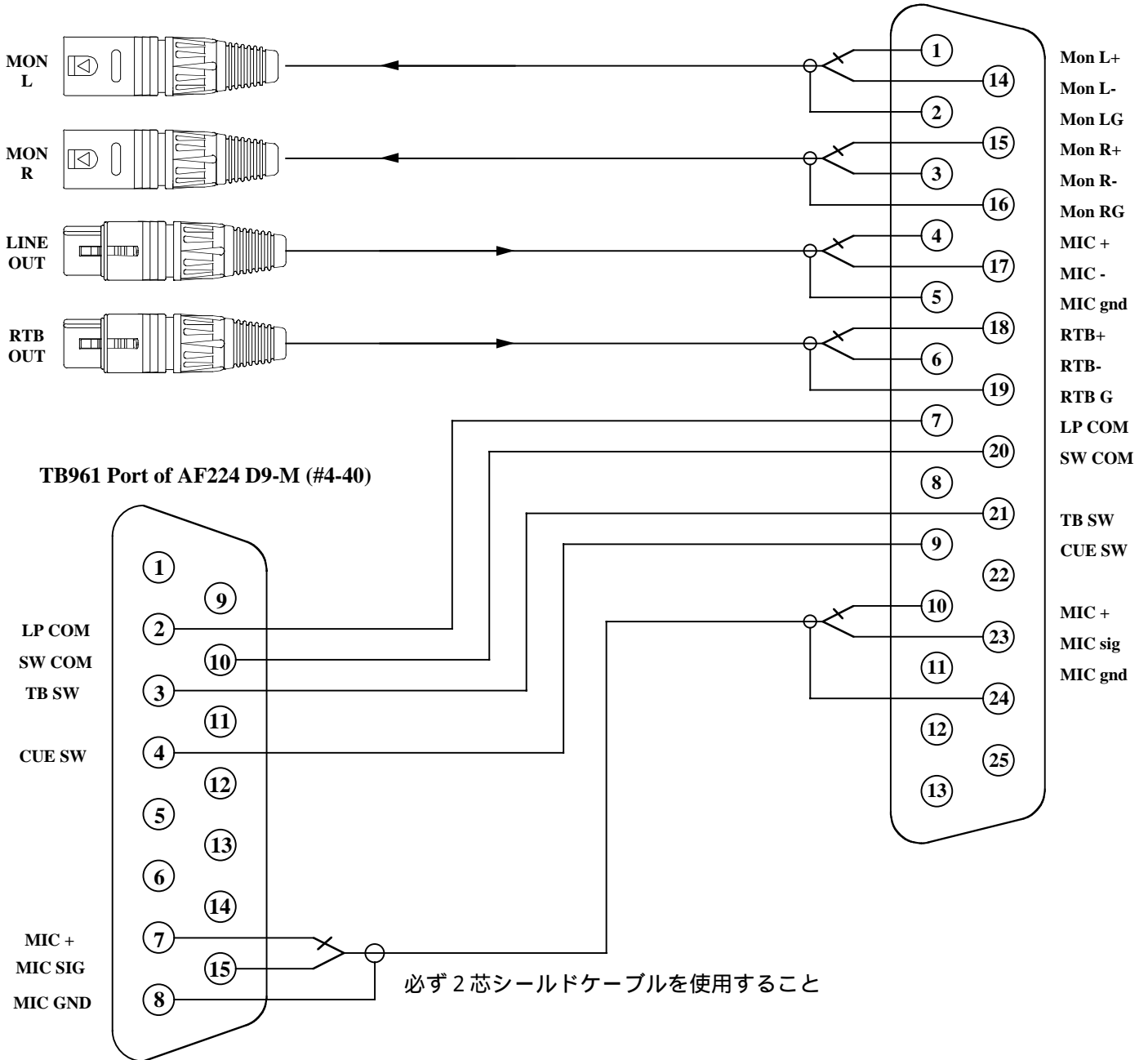


(c)CURRENT,INC.	GPS719	Jun.2005
H.ICHIHASHI	"SYSTEM A,B,C" CABLE	GPS719-w-ABC

AF224

GPS719 Selected

D25-F (#4-40)



(c)CURRENT,INC.	GPS719	Jun.2005
H.ICHIHASHI	"SELECTED OUT" CABLE	GPS719-w-selected

GPS719 "SYSTEM A/B" D25-F(#4-40) Connector Pin List

Ribbon	Hard	Signal name	Designation	Active
1	1	CH-1+	CH-1 HOT	
2	14	CH-1-	CH-1 COLD	
3	2	CH-1G	CH-1 GND	
4	15	CH-2+	CH-2 HOT	
5	3	CH-2-	CH-2 COLD	
6	16	CH-2G	CH-2 GND	
7	4	CH-3+	CH-3 HOT	
8	17	CH-3-	CH-3 COLD	
9	5	CH-3G	CH-3 GND	
10	18	CH-4+	CH-4 HOT	
11	6	CH-4-	CH-4 COLD	
12	19	CH-4G	CH-4 GND	
13	7	CH-5+	CH-5 HOT	
14	20	CH-5-	CH-5 COLD	
15	8	CH-5G	CH-5 GND	
16	21	CH-6+	CH-6 HOT	
17	9	CH-6-	CH-6 COLD	
18	22	CH-6G	CH-6 GND	
19	10	CH-7+	CH-7 HOT	
20	23	CH-7-	CH-7 COLD	
21	11	CH-7G	CH-7 GND	
22	24	CH-8+	CH-8 HOT	
23	12	CH-8-	CH-8 COLD	
24	25	CH-8G	CH-8 GND	
25	13	N.C.	No Connection	

注意！ Dサブコネクタの接続はHARDピン番号で接続してください。

取付ビスは#4 - 40インチビスを使用して下さい

CAUTION! D-Connector for wiring refer toHard pin number Description.

Mounting screw for D-connector use #4-40 size.

GPS719 "SELECTED" D25-M(#4-40) Connector Pin List

Ribbon	Hard	Signal name	Designation	Active
1	1	CH-1+	CH-1 HOT	
2	14	CH-1-	CH-1 COLD	
3	2	CH-1G	CH-1 GND	
4	15	CH-2+	CH-2 HOT	
5	3	CH-2-	CH-2 COLD	
6	16	CH-2G	CH-2 GND	
7	4	CH-3+	CH-3 HOT	
8	17	CH-3-	CH-3 COLD	
9	5	CH-3G	CH-3 GND	
10	18	CH-4+	CH-4 HOT	
11	6	CH-4-	CH-4 COLD	
12	19	CH-4G	CH-4 GND	
13	7	CH-5+	CH-5 HOT	
14	20	CH-5-	CH-5 COLD	
15	8	CH-5G	CH-5 GND	
16	21	CH-6+	CH-6 HOT	
17	9	CH-6-	CH-6 COLD	
18	22	CH-6G	CH-6 GND	
19	10	CH-7+	CH-7 HOT	
20	23	CH-7-	CH-7 COLD	
21	11	CH-7G	CH-7 GND	
22	24	CH-8+	CH-8 HOT	
23	12	CH-8-	CH-8 COLD	
24	25	CH-8G	CH-8 GND	
25	13	N.C.	No Connection	

全てのGNDは内部で接続されています。

注意！ Dサブコネクタの接続はHARDピン番号で接続してください。

取付ビスは#4 - 40インチビスを使用して下さい

CAUTION! D-Connector for wiring refer toHard pin number Description.

Mounting screw for D-connector use #4-40 size.

GPS719 "GPI" D9-F(#4-40) Connector Pin List

Ribbon	Hard	Signal name	Designation	Active
1	1	SW COM	SWITCH COMMON	0V
2	6	LP COM	LAMP COMMON	+5V
3	2	SW 1	SELECT SWITCH 1	0V
4	7	LP 1	SELECT TALLY 1	0V
5	3	SW 2	SELECT SWITCH 2	0V
6	8	LP 2	SELECT TALLY 2	0V
7	4	SW 3	SELECT SWITCH 3	0V
8	9	LP 3	SELECT TALLY 3	0V
9	5			

注意！ Dサブコネクタの接続はHARDピン番号で接続してください。取付は#4 - 40インチビスです。

CAUTION! D-Connector for wiring refer to Hard pin number Description. Mounting screw for D-connector use #4-40 size.