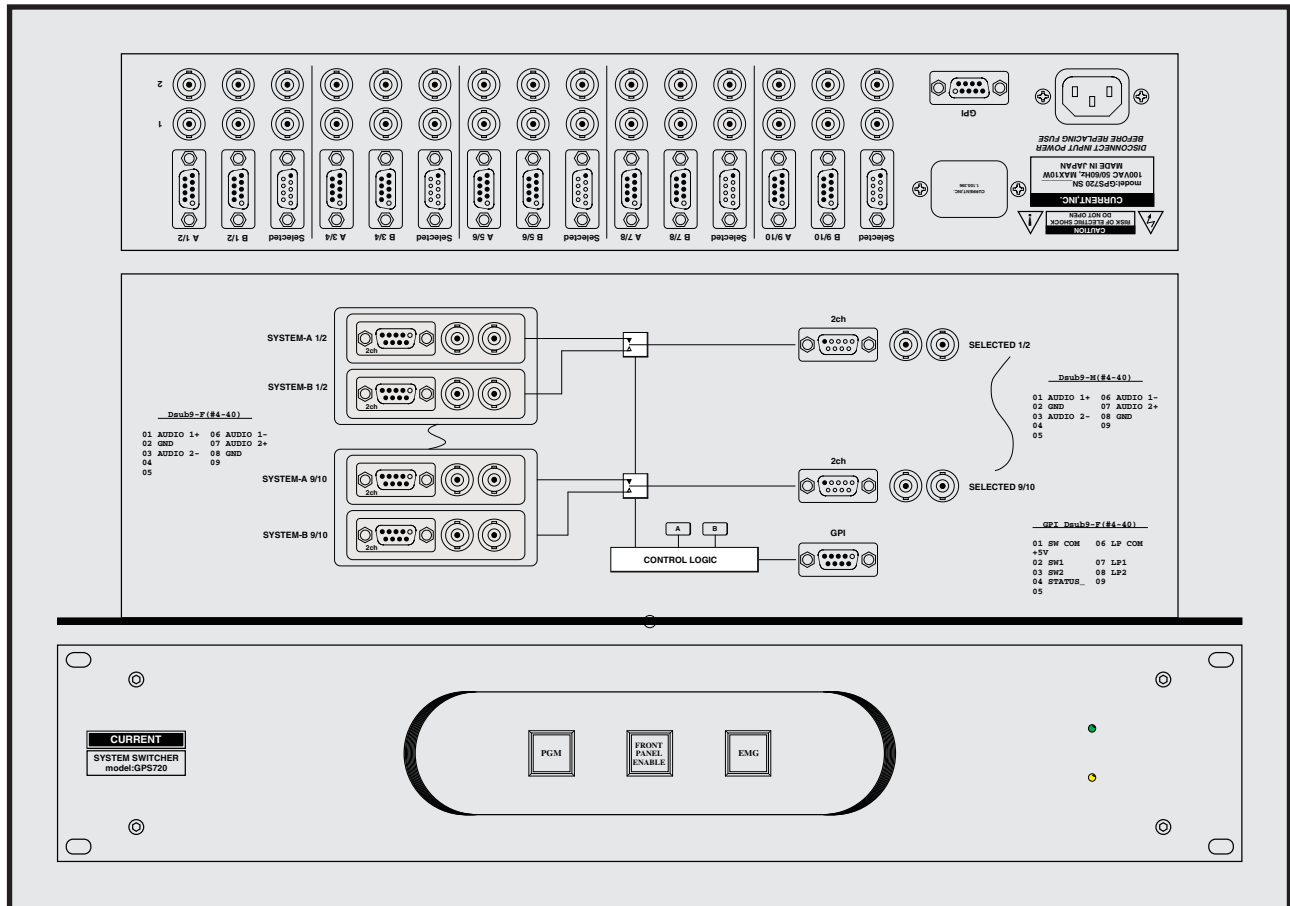


CURRENT PRODUCTS model:GPS720 SYSTEM SWITCHER



2:1 system switcher of 10ch
Analog audio, digital audio support
Composite video support
Remote controllable
19 inches 2U size

GPS720 is the 2:1 system switcher which can change balance signal with the Dsub9 connector and unbalanced signal 10ch in BNC. It allows connection of system A even at the time of power-off by using a relay for a switch element.

"Switching"

GPS720 allows the connection of every equipment and signal by all pin switches by the relay. System 'A' is bypassed at the time of the power-off, and this is safe in emergency.

"Supporting signal"

The Dsub9 connector supports the analog audio of balance specifications, digital audio and control signals of every kind. It can use the BNC connector for an analog audio, digital audio, word clock, a composite video.

"Termination"

It is loaded 600 Ω between hot and cold to the Dsub25 port which is not chosen. Likewise, as for the BNC port, it is loaded 75 Ω.

"Control"

It can control GPS720 via a switch of the front panel and a GPI connector

of the rear panel. In addition, 'A' is chosen at the time of power-off and the power-up. When it operates it with front panel, it presses 'A' or 'B' while pressing the "FrontPanelEnable" button.

"Others"

In addition, please refer about the manufacturing of a system switcher and the remote control panel of different specifications.



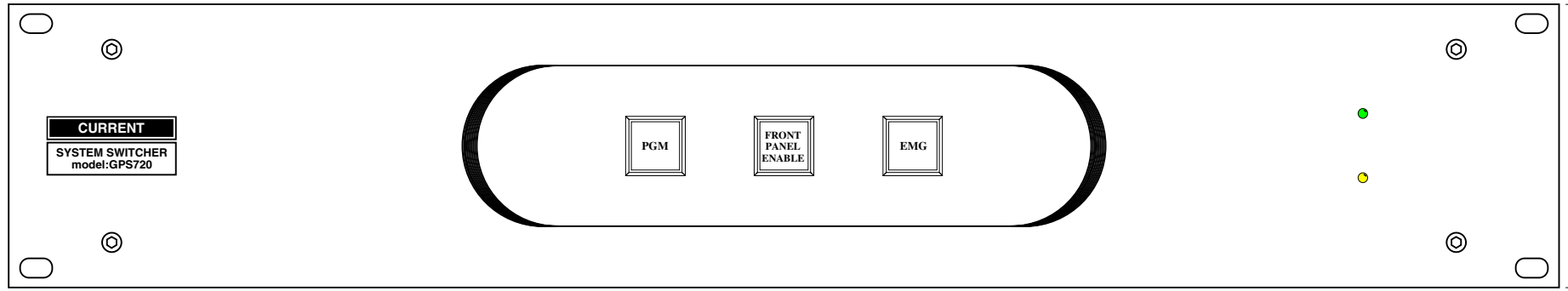
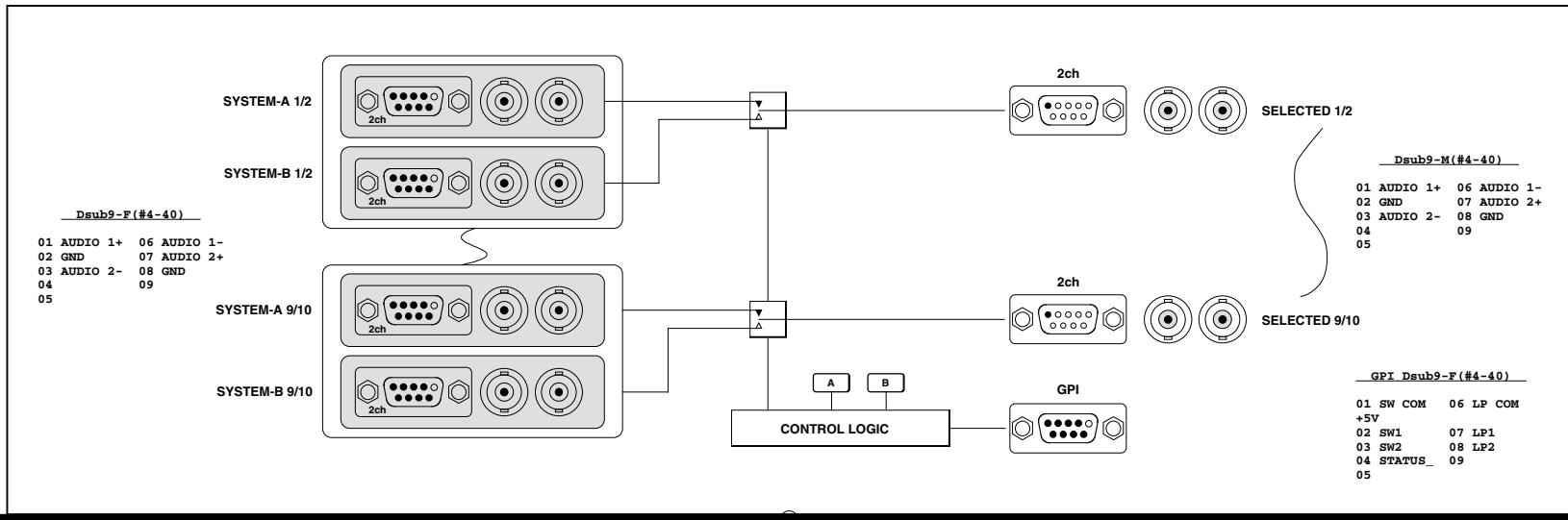
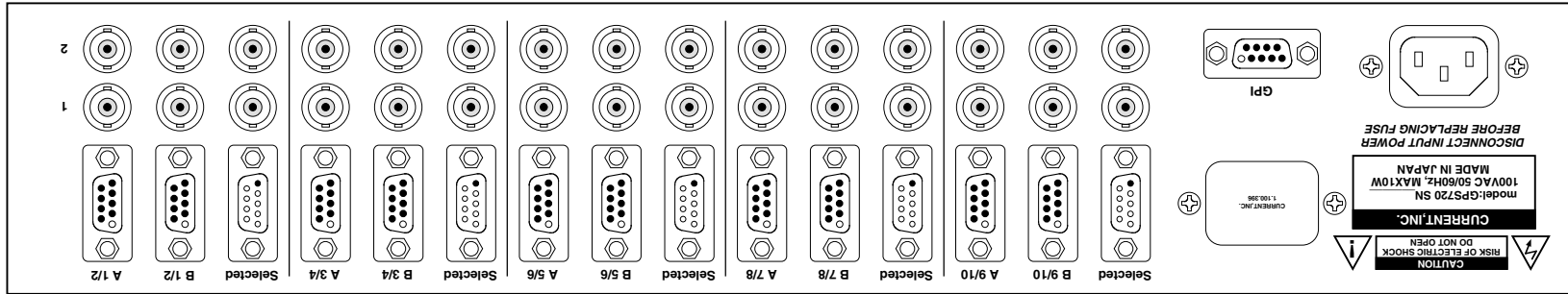
SPECIFICATIONS

- 🍏 **BALANCED INPUTS A,B:** Dsub9-F (#4-40)
- 🍏 **BALANCED SELECTED:** Dsub9-M (#4-40)
- 🍏 **UNBALANCED INPUTS A,B:** BNC
- 🍏 **UNBALANCED SELECTED:** BNC
- 🍏 **CONTROL:** FRONT PANEL, GPI (Dsub9-F #4-40)
- 🍏 **SWITCHING ELEMENT:** RELAY
- 🍏 **MAINS:** 100-120VAC 50/60Hz MAX=10W
- 🍏 **DIMENSIONS:** 482Wx44Hx303D 4kg

System switcher	GPS720	¥640,000
accessory : AC cable		

The specifications are subject to change without notice.
2-26-11 AKATSUTSUMI, SETAGAYA-KU, TOKYO, 156-0044 JAPAN

MONITOR SYSTEM
HEADPHONES AMP
CUE SYSTEM
MATRIX AMP
AUDIO ROUTER
AUDIO VIDEO SWITCHER
SYSTEM SWITCHER
EMERGENCY
AUDIO VIDEO DISTRIBUTOR
METER SYSTEM
ANALOG, DIGITAL
PREAMP MIXER
LEVEL UNIT
DIGITAL AUDIO
FADER UNIT
AUTO FADER
TALLY FADER
CLOCK, TIMER
EVENT SYSTEM
SPECIAL PRODUCTS
ETC.



482.0

302.6

88.0

May.2023
Dec.2018

(c)CURRENT,INC.	SYSTEM SWITCHER GPS720	Sep.2005
H.ICHIHASHI	PANEL DIAGRAM	GPS720-D

GPS720 Connector Pin List

INPUT "A 1/2" & "B 1/2" D9-F(#4-40)

Ribbon	Hard	Signal name	Designation	Active
1	1	AUDIO 1+	AUDIO 1 HOT	
2	6	AUDIO 1-	AUDIO 1 COLD	
3	2	GND	AUDIO 1 GND	
4	7	AUDIO 2+	AUDIO 2 HOT	
5	3	AUDIO 2-	AUDIO 2 COLD	
6	8	GND	AUDIO 2 GND	
7	4			
8	9			
9	5	GND	GND	

SELECTED "A 1/2" & "B 1/2" D9-M(#4-40)

Ribbon	Hard	Signal name	Designation	Active
1	1	AUDIO 1+	AUDIO 1 HOT	
2	6	AUDIO 1-	AUDIO 1 COLD	
3	2	GND	AUDIO 1 GND	
4	7	AUDIO 2+	AUDIO 2 HOT	
5	3	AUDIO 2-	AUDIO 2 COLD	
6	8	GND	AUDIO 2 GND	
7	4			
8	9			
9	5	GND	GND	

REMOTE D9-F(#4-40)

Ribbon	Hard	Signal name	Designation	Active
1	1	SW COM	SWITCHES COMMON	+0V
2	6	LP COM	LAMPS COMMON	+5V
3	2	SW 1	PROGRAM SWITCH	Lo
4	7	LP1	PROGRAM LAMP	Lo
5	3	SW 2	EMERGENCY SWITCH	Lo
6	8	LP2	EMERGENCY LAMP	Lo
7	4	STATUS_	STATUS SWITCH	Lo
8	9			
9	5			

CAUTION! D-Connector for wiring refer to Hard pin number Description. Mounting screw for D-connector use #4-40 size.

注意！ Dサブコネクタの接続はHardピン番号で接続してください。取付ビスは#4-40インチビスです。