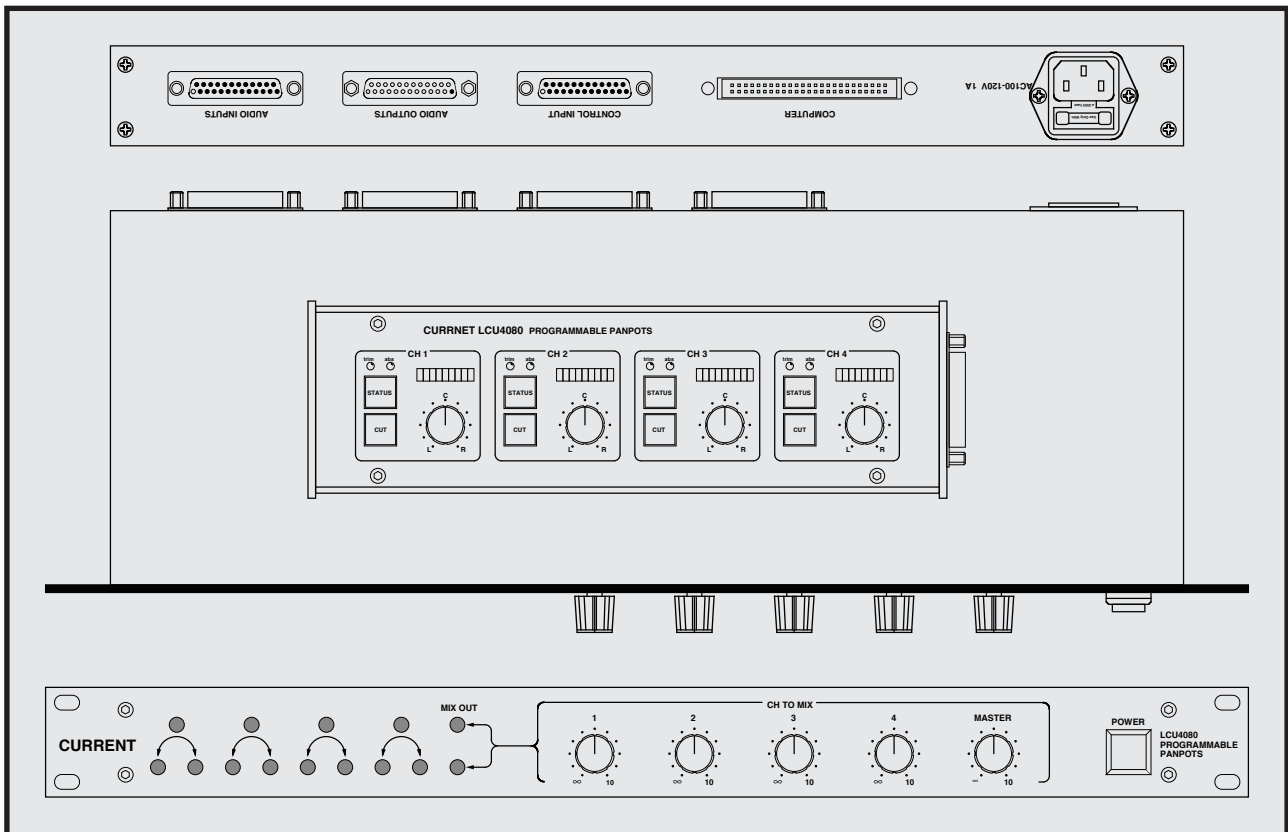


CURRENT PRODUCTS model:LCU4080

PROGRAMMABLE PANPOTS



4 channel stereo panpot
 SSL4000 computer automation support
 Panpot mix output
 Excellent operability by the remote
 Front / rear access
 Joy-stick control is possible

LCU4080 is the breakthrough product that automation can operate a working of the panpot which used 2 fader by the computer of the SSL4000 series console so far for a sense identical to fader.

"Front & rear access"

It implements the bantam jack which is the standard of the console to front panel as I/O of the audios and it is parallel and provides for the rear panel with D type connector.

"4 channel panpot"

4 channel implements the panpot of 1 input 2 outs and can configure surround panpot by connecting with the series. In addition, MIX OUT it mixes the panpot output of 4 channel, and to output is implemented.

"Controller"

As for the controller of LCU4080, 1 channel is configured with LED display indicating panpot and the position, cut button, status button, trim LED, abusoryuto LED. When it replays it with a computer by indicating panning with LED of the 9-point, the Pan display can confirm a working visually. In addition, it is optional and can connect a joy-stick controller.

"Computer automation"

With a computer port in the main frame rear panel of LCU4080, the automation with the computer of the SSL4000 series console is possible with the point identical to normal operation.

"Others"

Please use SL904 for surround joy-stick at 3:2.

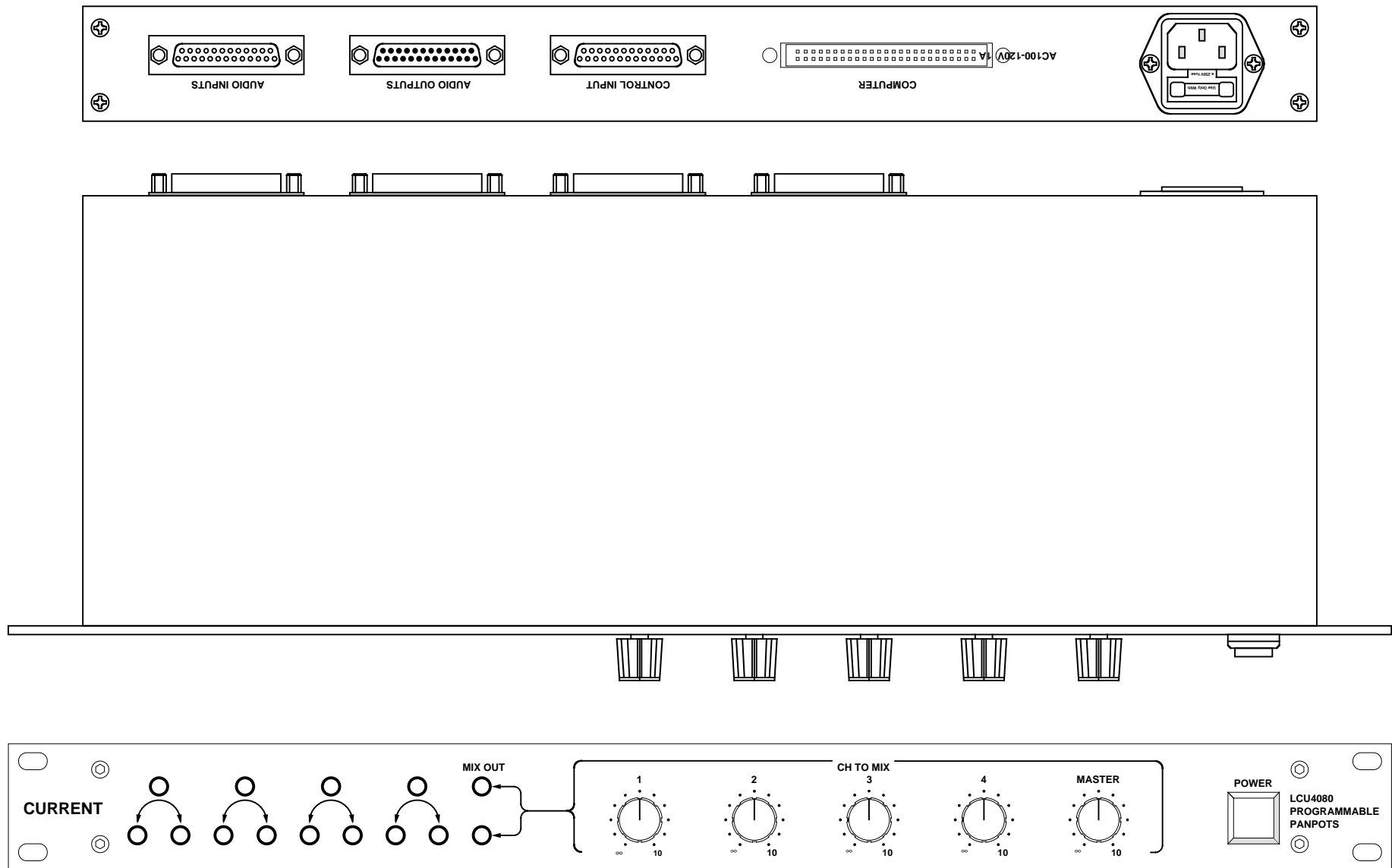


SPECIFICATIONS

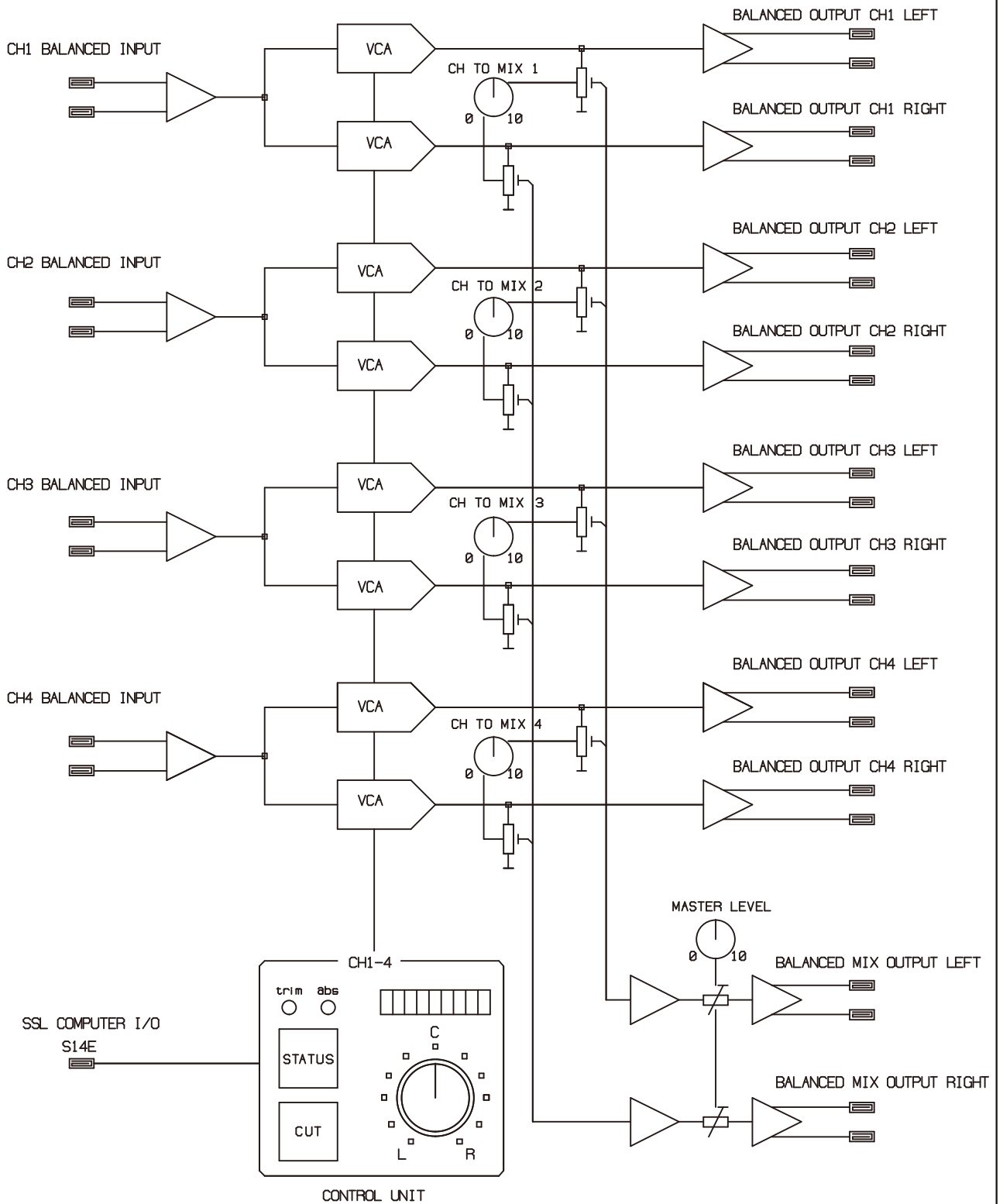
- 🍏 **INPUTS:** BALANCED, 20kΩ, REF LEVEL=+4dBu, MAX +24dBu
- 🍏 **INPUT CONNECTORS:** BANTAM JACK, REAR:D-25F(M2.6)
- 🍏 **OUTPUTS:** BALANCED, 33Ω, REF LEVEL=+4dBu, MAX +24dBu
- 🍏 **OUTPUT CONNECTORS:** BANTAM JACK, REAR:D-25-M(M2.6)
- 🍏 **MIX OUT:** BALANCED 33Ω REF LEVEL +4dBu, MAX +24dBu
- 🍏 **F.RESPONSE:** 20Hz~20kHz ±0.1dB **THD:** < 0.01% at 1kHz
- 🍏 **EIN:** < -90dB **CONTROL CV:** 0~5VDC
- 🍏 **MAINS:** 100VAC 20W(MAX) **MAIN UNIT:** 482Wx44Hx250D 4kg
- 🍏 **REMOTE UNIT:** 256Wx26Hx77D 1kg

Programmable panpots LCU4080 ¥560,000

accessory : AC cable, remote unit, cable 5m



CURRENT, INC.	PROGRAMMABLE PANPOTS LCU4080	May 97
H. ICHIHASHI	PANEL DIAGRAM	



LCU4080 'Audio Inputs' D25-F(M2.6) Connector Pin List

Ribbon	Hard	Signal name	Designation	Active
1	1	IN1+	AUDIO CH 1 INPUT HOT	
2	14	IN1-	AUDIO CH 2 INPUT COLD	
3	2	IN12G	AUDIO CH 1,2 INPUT COMMON	
4	15	IN2+	AUDIO CH 2 INPUT HOT	
5	3	IN2-	AUDIO CH 2 INPUT COLD	
6	16	IN3+	AUDIO CH 3 INPUT HOT	
7	4	IN3-	AUDIO CH 3 INPUT COLD	
8	17	IN34G	AUDIO CH 3,4 INPUT COMMON	
9	5	IN4+	AUDIO CH 4 INPUT HOT	
10	18	IN4-	AUDIO CH 4 INPUT COLD	
11	6			
12	19			
13	7			
14	20			
15	8			
16	21			
17	9			
18	22			
19	10			
20	23			
21	11			
22	24			
23	12			
24	25			
25	13			
		取付ビスはM 2 . 6 ミリビスを使用して下さい	注意！ Dサブコネクタの接続は Hardピン番号で接続してください。	
		Mounting screw for D-connector use #4-40 size.	CAUTION! D-Connector for wiring refer to Hard pin number Description.	

LCU4080 'S14E' 50Way Ribbon Connector Pin List

Ribbon	Hard	Signal name	Designation	Active
1		SL-C	STATUS SWITCH & LED COMMON (+5V)	
2		S-ST8	STATUS SWITCH 8	
3		B-TRIM8	trim LED 8	
4		B-ABS-8	abs LED 8	
5		S-ST7	STATUS SWITCH 7	
6		B-TRIM7	trim LED 7	
7		B-ABS7	abs LED 7	
8		S-ST6	STATUS SWITCH 6	
9		B-TRIM6	trim LED 6	
10		B-ABS6	abs LED 6	
11		S-ST5	STATUS SWITCH 5	
12		B-TRIM5	trim LED 5	
13		B-ABS5	abs LED 5	
14		S-ST4	STATUS SWITCH 4	
15		B-TRIM4	trim LED 4	
16		B-ABS4	abs LED 4	
17		S-ST3	STATUS SWITCH 3	
18		B-TRIM3	trim LED 3	
19		B-ABS3	abs LED 3	
20		S-ST2	STATUS SWITCH 2	
21		B-TRIM2	trim LED 2	
22		B-ABS2	abs LED 2	
23		S-ST1	STATUS SWITCH 1	
24		B-TRIM1	trim LED 1	
25		B-ABS1	abs LED 1	
26		SL-C	STATUS SWITCH & LED COMMON (+5V)	
27				
28				
29		青文字の信号は1992年以前に出荷されたものでは使用していません。		
30				
31		RETURN1	COMPUTER RETURN 1	
32		RETURN2	COMPUTER RETURN 2	
33		RETURN3	COMPUTER RETURN 3	
34		RETURN4	COMPUTER RETURN 4	
35		RETURN5	COMPUTER RETURN 5	
36		RETURN6	COMPUTER RETURN 6	
37		RETURN7	COMPUTER RETURN 7	
38		RETURN8	COMPUTER RETURN 8	
39				
40		RETURN -C	COMPUTER RETURN COMMON	
41		SEND1	COMPUTER SEND 1	
42		SEND2	COMPUTER SEND 2	
43		SEND3	COMPUTER SEND 3	
44		SEND4	COMPUTER SEND 4	
45		SEND5	COMPUTER SEND 5	
46		SEND6	COMPUTER SEND 6	
47		SEND7	COMPUTER SEND 7	
48		SEND8	COMPUTER SEND 8	
49				
50		SEND-C	COMPUTER SEND COMMON	

LCU4080 'Control' D25-F(M2.6) Connector Pin List

Ribbon	Hard	Signal name	Designation	Active
1	1	SL-C	STATUS SWITCH & trim,abs LED COMMON	
2	14	S-ST4	STATUS SWITCH 4	
3	2	B-TRIM4	trim LED 4	
4	15	B-ABS4	abs LED 4	
5	3	S-ST3	STATUS SWITCH 3	
6	16	B-TRIM3	trim LED 3	
7	4	B-ABS3	abs LED 3	
8	17	S-ST2	STATUS SWITCH 2	
9	5	B-TRIM2	trim LED 2	
10	18	B-ABS2	abs LED 2	
11	6	S-ST1	STATUS SWITCH 1	
12	19	B-TRIM1	trim LED 1	
13	7	B-ABS1	abs LED 1	
14	20	RETURN1	COMPUTER RETURN 1	
15	8	RETURN2	COMPUTER RETURN 2	
16	21	RETURN3	COMPUTER RETURN 3	
17	9	RETURN4	COMPUTER RETURN 4	
18	22	SEND1	COMPUTER SEND 1	
19	10	SEND2	COMPUTER SEND 2	
20	23	SEND3	COMPUTER SEND 3	
21	11	SEND4	COMPUTER SEND 4	
22	24	15	+15.0V SUPPLY	
23	12	0	+0.0V SUPPLY COMMON	
24	25	0	+0.0V SUPPLY COMMON	
25	13	-15	-15.0V SUPPLY	
		取付ビスはM2.6	注意！ Dサブコネクタの接続は	
		ミリビスを使用して下さい	Hardピン番号で接続してください。	
		Mounting screw for	CAUTION! D-Connector for wiring refer to	
		D-connector use	Hard pin number Description.	
		#4-40 size.		