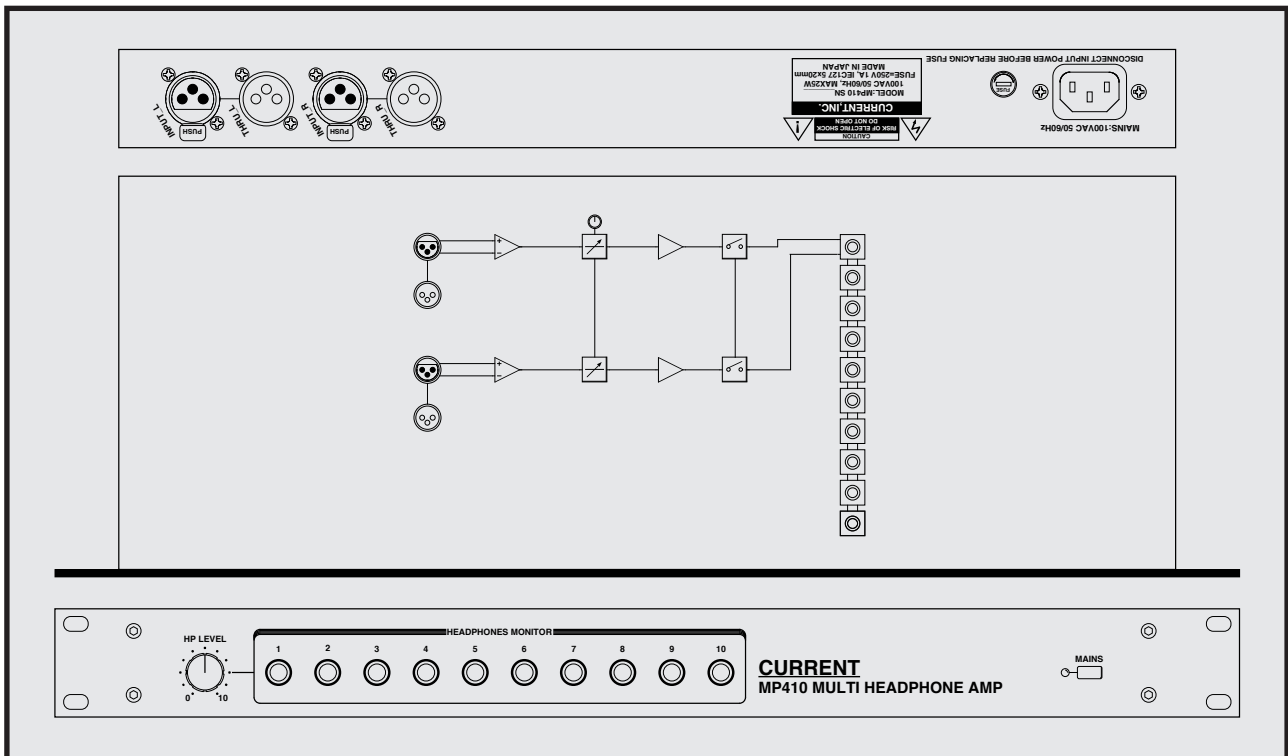


CURRENT PRODUCTS model:MP410

MULTI HEADPHONE AMP



10 distribution headphone
 Super high-quality sound
 High power
 XLR through out is with it
 19 inches 1U size

MP410 is the multi headphones amp which is available in 10 simultaneously. It provides powerful, clear sound by using circuit configuration identical to SC8016A of the CUE system for recording studios where there is the reputation for sound quality in the power amp section and parts.

"Line input"

The input of MP410 provides in the throughout with XLR connector, and the way of using inserting on the way of a line is possible.

"Monitor"

There are 10 headphone jacks to front panel and can monitor 10 people simultaneously. A headphone level is only a master level.

"Others"

Please refer about the manufacturing of the type that level control is possible individually.

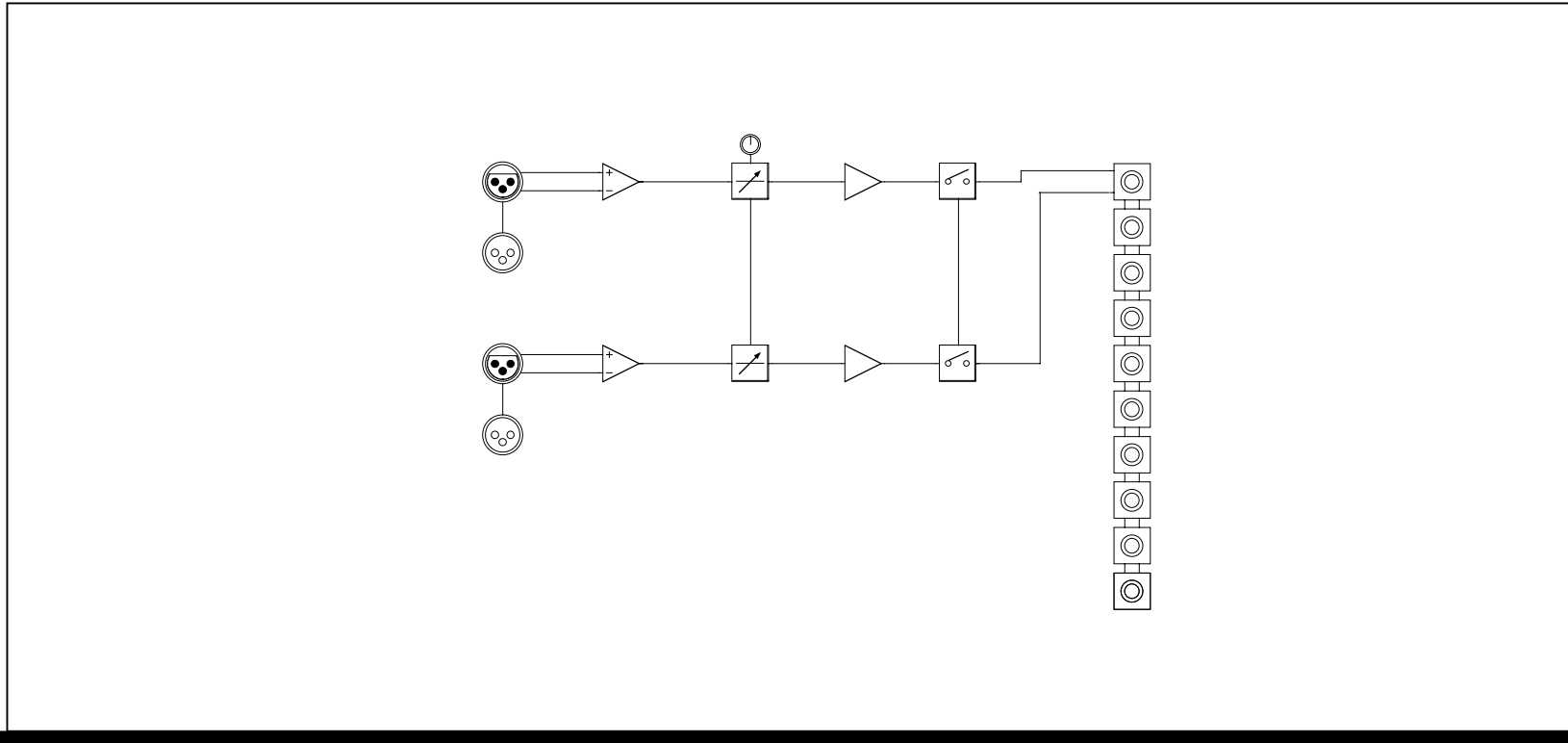
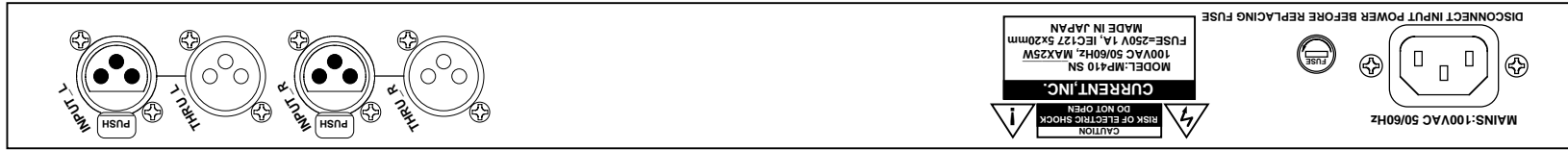


SPECIFICATIONS

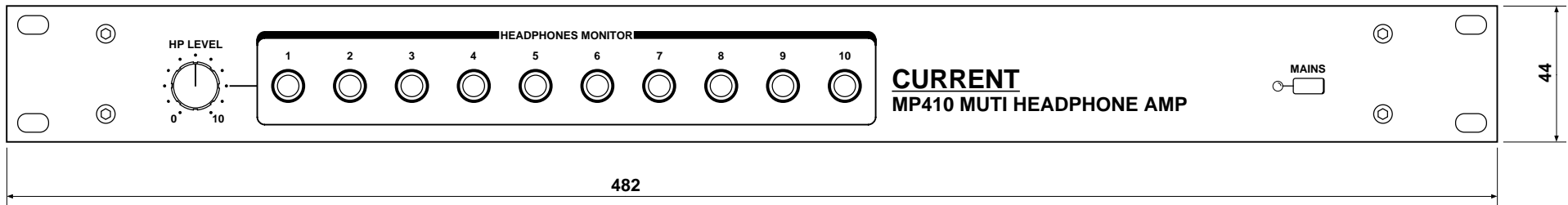
- 🍏 **AUDIO INPUTS:** BALANCED, 12kΩ
- 🍏 **INPUTS CONNECTOR:** XLR3-F
- 🍏 **MAXIMUM INPUT LEVEL:** +24dBu
- 🍏 **CONTROL:** HEADPHONES LEVEL
- 🍏 **HEADPHONES OUTPUT:** 10
- 🍏 **FREQUENCY RESPONSE:** 20~20kHz, ±0.1dB
- 🍏 **THD:** < 0.01%
- 🍏 **NOISE:** < -90dBu
- 🍏 **MAXIMUM OUTPUT:** 2.5W at 50Ω
- 🍏 **CONTROL:** HP(MASTER) ,EXT MIX 1,2 LEVEL
- 🍏 **MAINS:** 100VAC 50/60Hz MAX 25W
- 🍏 **DIMENSIONS:** 482W x 44H x 303D 4kg

Headphones amp	MP410	¥248,000
----------------	-------	----------

accessory : AC cable



302.6



(c)CURRENT,INC.	MP410 HEADPHONE DISTRIBUTOR	MAY 98
H.ICHIHASHI	PANEL DIAGRAM	MP410-D