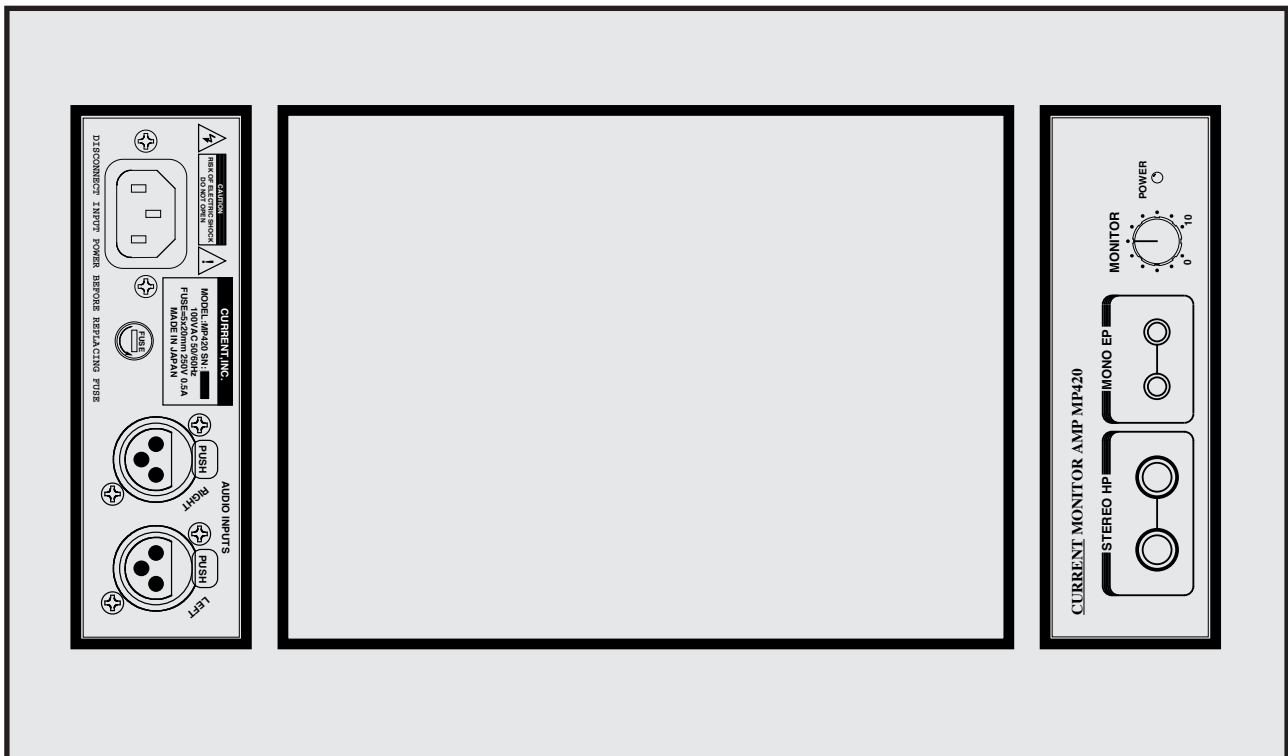


CURRENT PRODUCTS model:MP420

MONITOR AMP



Stereo headphone amplifier
 Balance, XLR input
 Headphone x2, earphone x2
 Compact & solid
 High power

MP420 is a stereo headphone amplifier of the XLR input specification. It is strong and pure, and the headphone amplifier put in the solid aluminum pipe type case of the 3mm thickness drives 2 stereo-headphone and mono earphone.

"Input"

It is rare XLR input, and MP420 can support with the headphone amplifier flexibly in every scene such as broadcast, the live not to mention a studio.

"Monitor output"

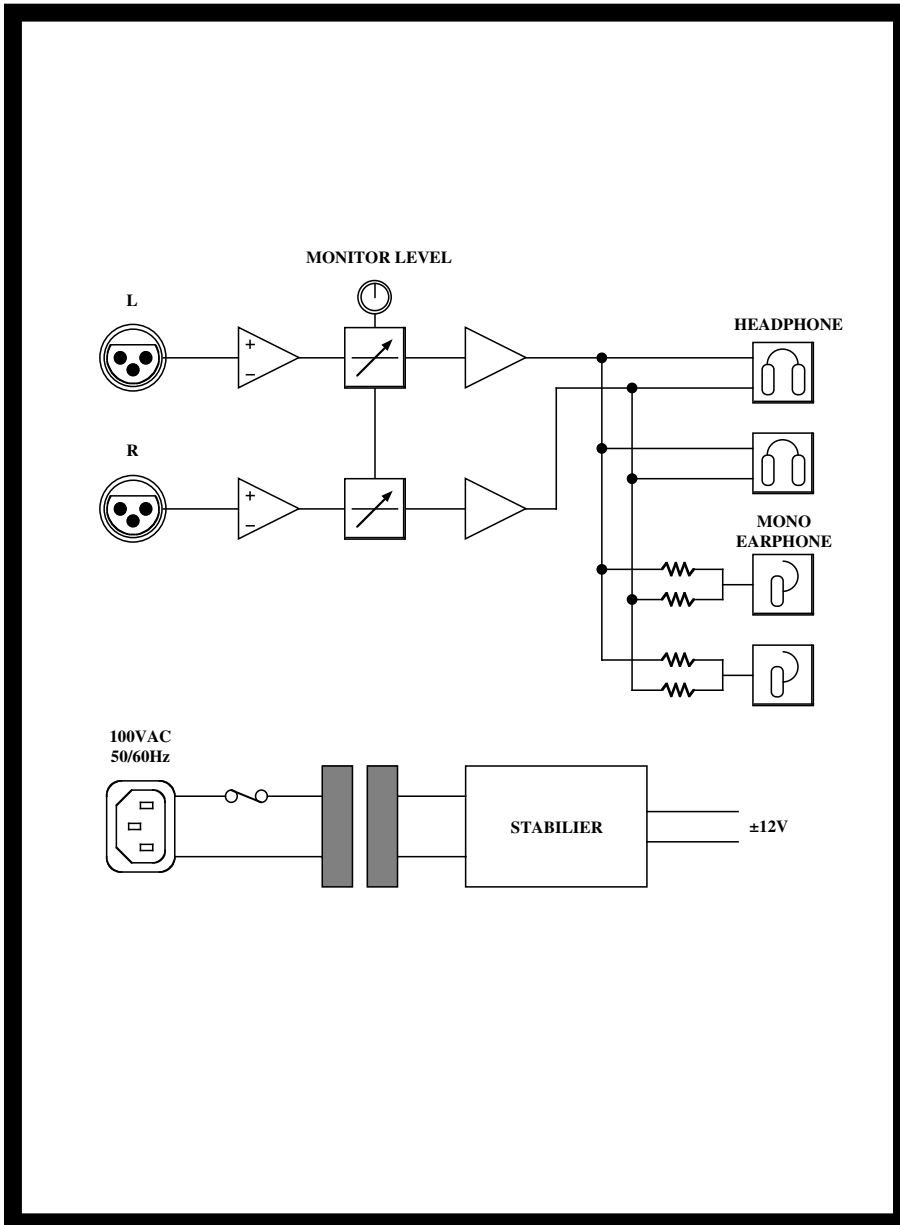
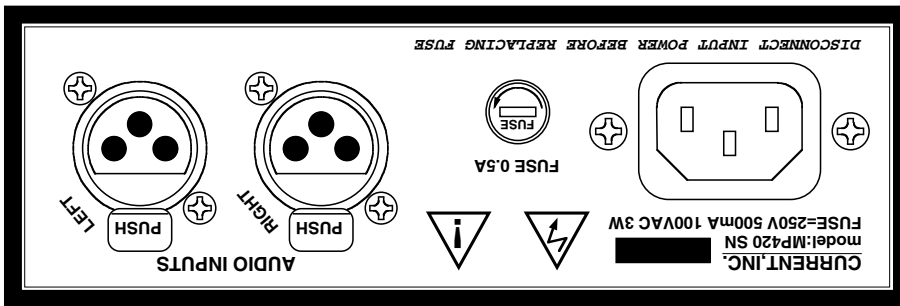
Stereo headphone and 2 mono earphones are implemented, and a monitor is possible in the multiple people without preparing branch box.



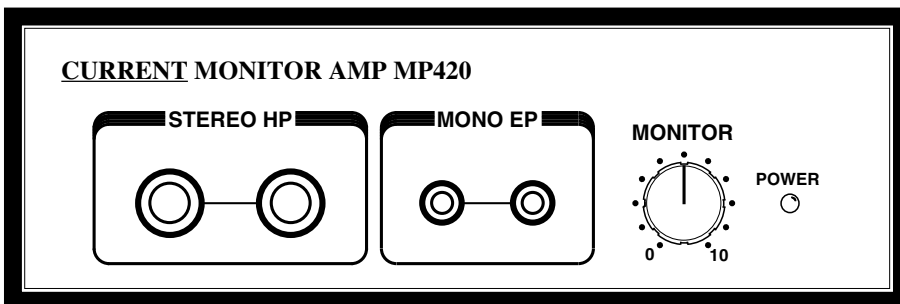
SPECIFICATIONS

- 🍏 **AUDIO INPUTS:** BALANCED, 12k Ω
- 🍏 **INPUTS CONNECTOR:** XLR3-F
- 🍏 **OUTPUTS:** HEADPHONES x2, MONO EARPHONE x2
- 🍏 **HEADPHONE IMPEDANCE:** >50 Ω
- 🍏 **FREQUENCY RESPONSE:** 20~20kHz, ± 0.1 dB
- 🍏 **MAXIMUM OUTPUT:** 1W
- 🍏 **THD:** < 0.1%
- 🍏 **MAINS:** 100VAC 50/60Hz MAX 12W
- 🍏 **DIMENSIONS:** 150W x 50H x 200D 1.5kg

Headphones amp	MP420	¥192,000
accessory : AC cable		



150.0



200.0

50.0

Nov.2005

CURRENT,INC.	MONITOR AMP MP420	AUG. 97
H.ICHIHASHI	PANEL DIAGRAM	MP420-D2005