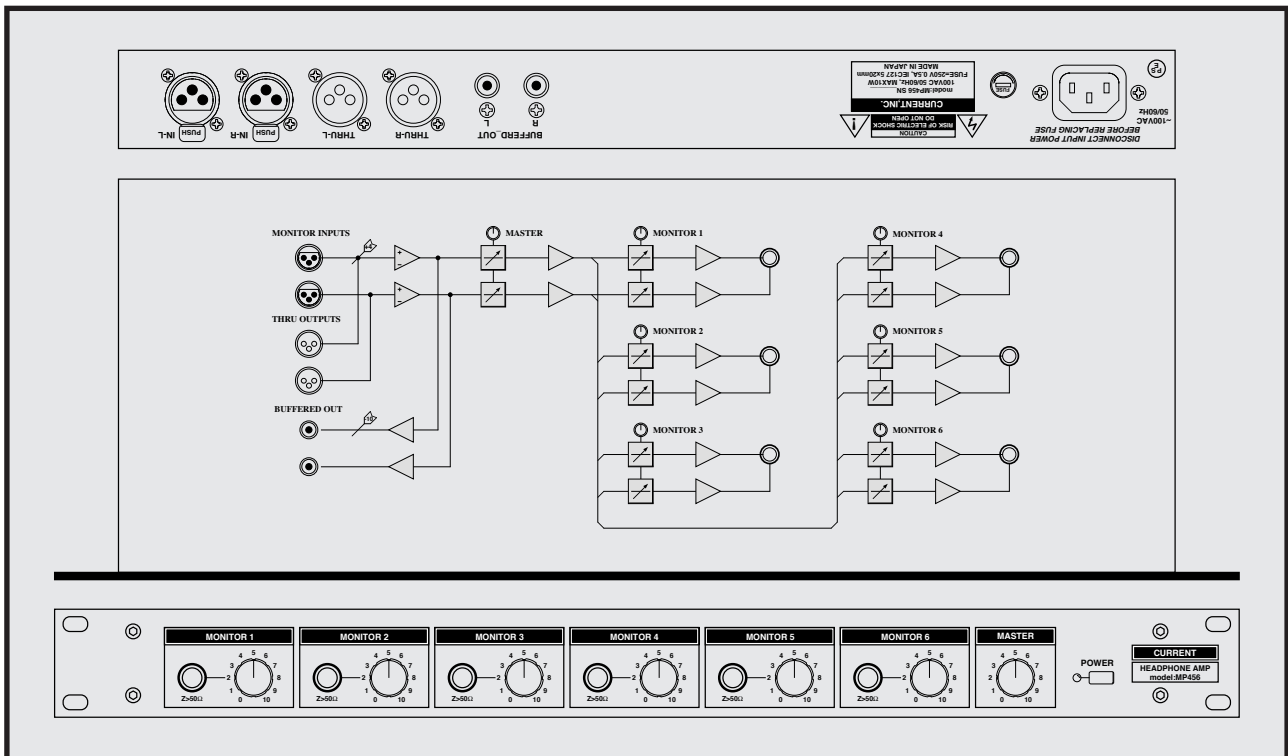


CURRENT PRODUCTS model:MP456

HEX HEADPHONES AMP



- 6 channel stereo headphone amplifiers
- XLR connector input
- It is with the through output
- High power
- The master volume
- 19 inches 1U size

MP456 is a headphone amplifier of 6 stereo channel. Every headphone output is driven by an independent amplifier and can control a level individually. In addition, it has the master volume to control all outputs.

"Input and output"

It uses general XLR type connector for input and output of MP456 and it is flexible and promises reliable connection. The standard input level is +4dBu and specified can change the input and output reference level at the time of an order. In addition, by the through output, it provides, and it is not necessary to prepare a parallel box even in the case of a mixer of 1 path output.

"Headphone"

It implements 6 stereo-power amplifiers, and, as for the headphone level, individual control is possible. In addition, the use headphone, please use products more than 50Ω as much as possible.

"Others"

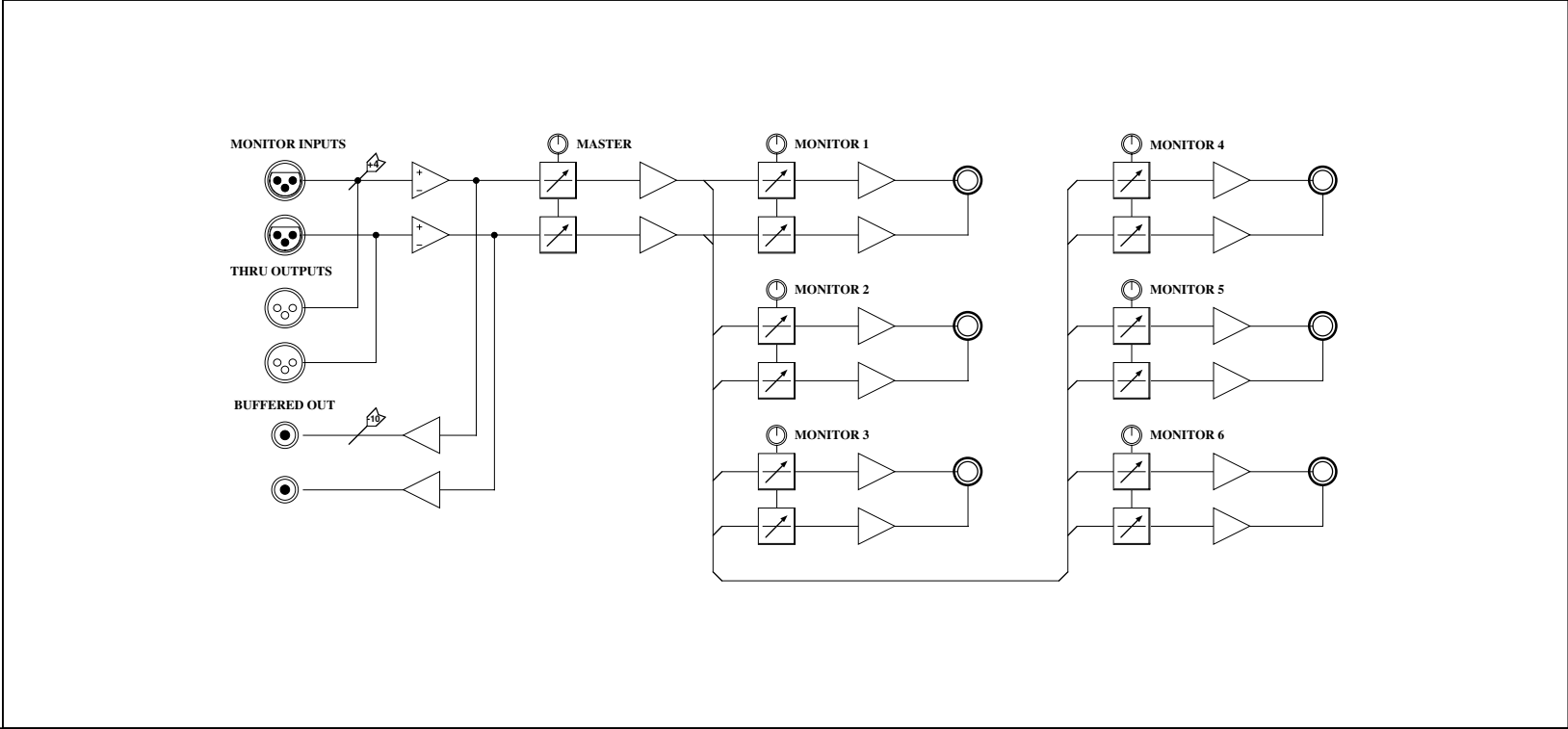
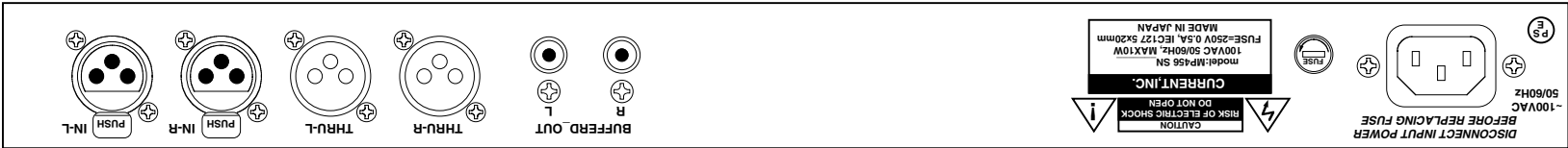
Headphone amplifiers except MP456 include MP410, MP420, MP430A, MP450, and, please consider together.



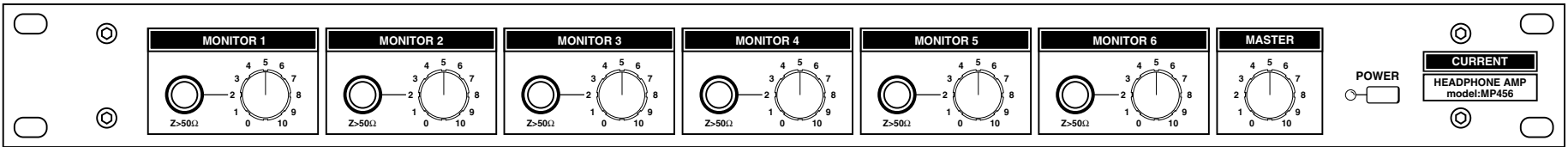
SPECIFICATIONS

- 🍏 **INPUTS:** STEREO, BALANCED, 24kΩ
- 🍏 **INPUTS CONNECTORS:** XLR3-F
- 🍏 **INPUTS REFERENCE LEVEL:** +4dBu, MAX +24dBu
- 🍏 **THRU OUTPUTS:** XLR3-M
- 🍏 **BUFFERED OUTPUTS:** UNBALANCED 82Ω Ref=-10dBu, RCA
- 🍏 **HEADPHONES:** 6
- 🍏 **HEADPHONES CONNECTOR:** 1/4" STEREO PHONE
- 🍏 **HEADPHONES OUTPUT:** MAX=500mW
- 🍏 **FREQUENCY RESPONSE:** 20Hz-20kHz ±0.1dB
- 🍏 **THD:** < 0.1% at 1kHz REFERENCE LEVEL 🍏 **NOISE:** < -90dB
- 🍏 **MAINS:** 100-120VAC 50/60Hz 15W(MAX)
- 🍏 **DIMENSIONS:** 482Wx44Hx303D 4kg

Headphones amp	MP456	¥248,000
accessory : AC cable		



302.6



44.0

482.0

(c)CURRENT,INC.	HEADPHONES AMP MP456	Sep.2008
H.ICHIHASHI	PANEL DIAGRAM	Nov. 2000
		MP456-D