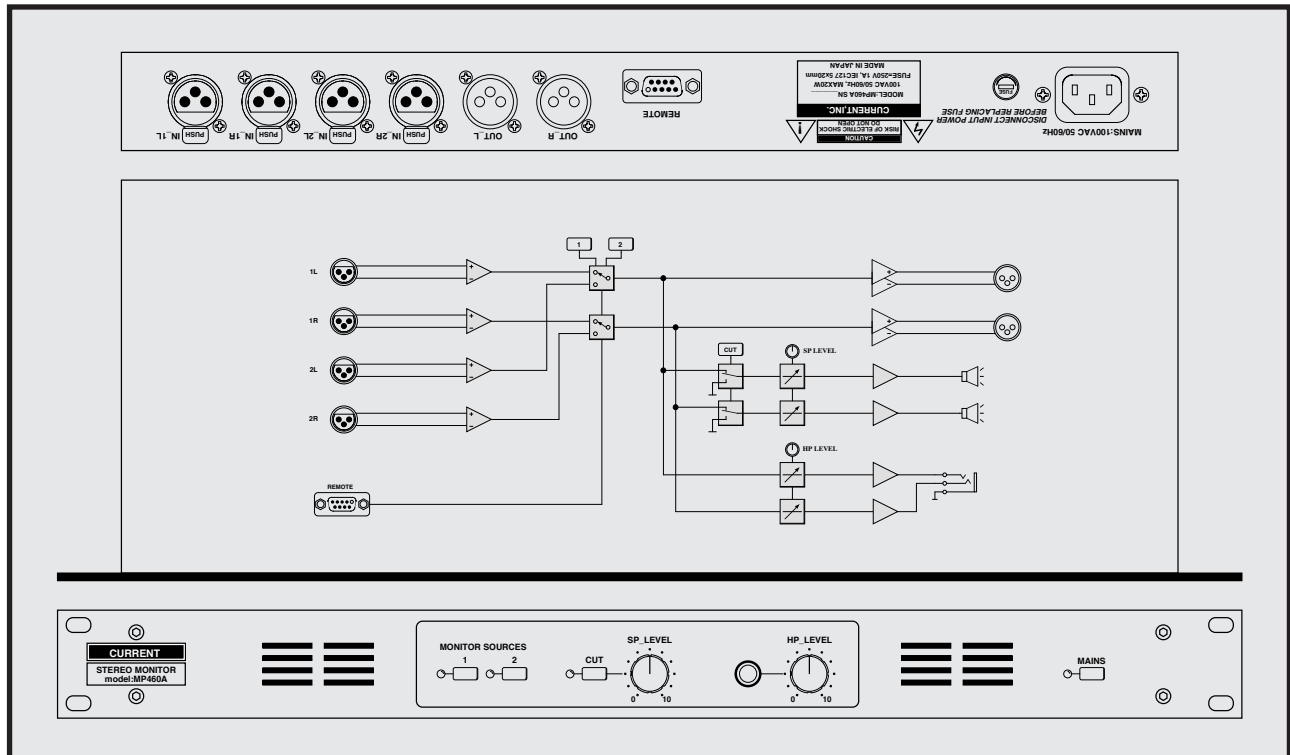


CURRENT PRODUCTS model:MP460A

DUAL MONITOR UNIT



- Monitor speakers
- Headphones monitor
- XLR source input of 2 systems
- Remote control
- Speaker level and headphone level
- 19 inches 1U size

MP460A is a monitor unit of 19 inches of 1 U size with a stereo speaker and the headphone monitor.
It chooses the source of 2 systems and can monitor it and can use it as a line selector.

"Input-output"

The input is general XLR type connector, and a headphone jack is 1/4" stereo jack. The switch over of the monitor source is made with front panel or remote connector of the rear panel.

"Monitor"

The control of a speaker and the headphone has been independent and can control the level with separate knobs. The speaker has been equipped with a stereo and can cut it with a cut button.

"Others"

A remote controller and the panel for MP460A are also available optionally.

REMOTE DSUB9-F

01 LP COM +15V	06 SW COM
02 SW 1	07 LP 1
03 SW 2	08 LP 2
04	09
05	

SPECIFICATIONS

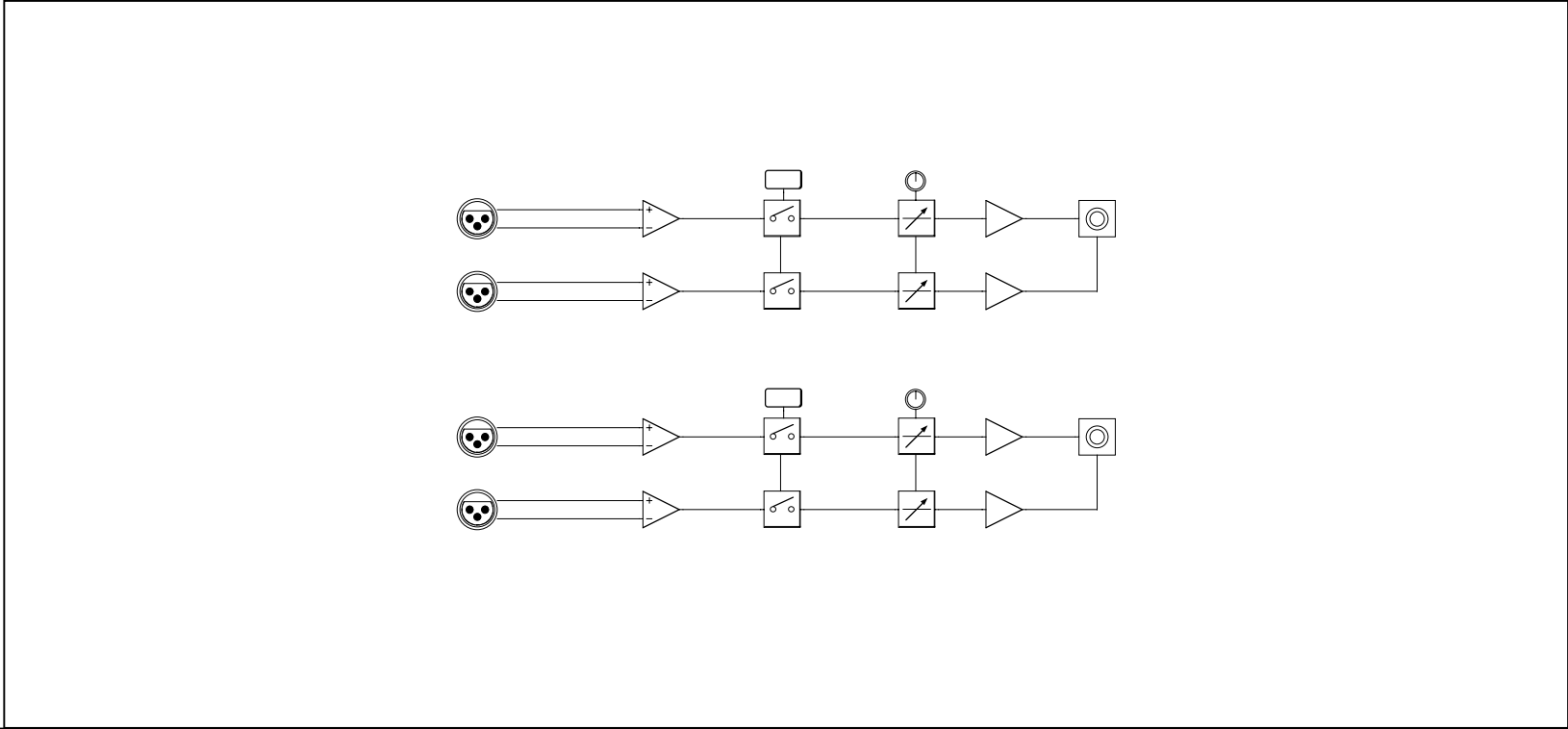
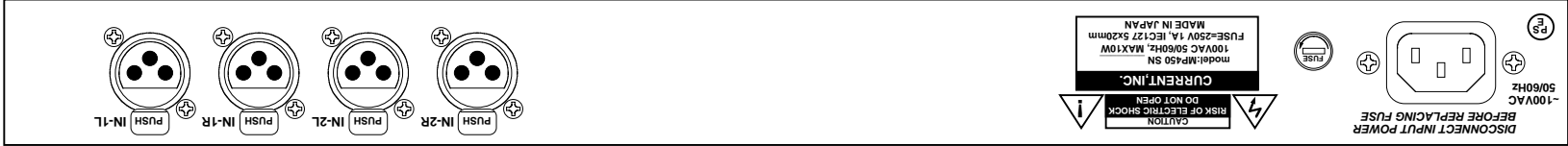
- INPUTS: BALANCED, 12kΩ
- INPUT CONNECTOR: XLR3-F
- INPUTS REFERENCE LEVEL: +4dBu, MAX=+24dBu
- OUTPUTS: BALANCED, 50Ω
- OUTPUT CONNECTOR: XLR3-M
- OUTPUTS REFERENCE LEVEL: +4dBu, MAX=+24dBu
- FREQ.RESPONSE: 20 to 20kHz ±0.1dB
- THD: <0.01% at Ref.Level EIN: <-90dB
- HEADPHONES: >50Ω
- MAXIMUM MONITOR OUTPUT LEVEL 500mW, <1%
- MAINS: 100VAC 50/60Hz MAX 15W
- DIMENSIONS: 482Wx44Hx303D, 4kg



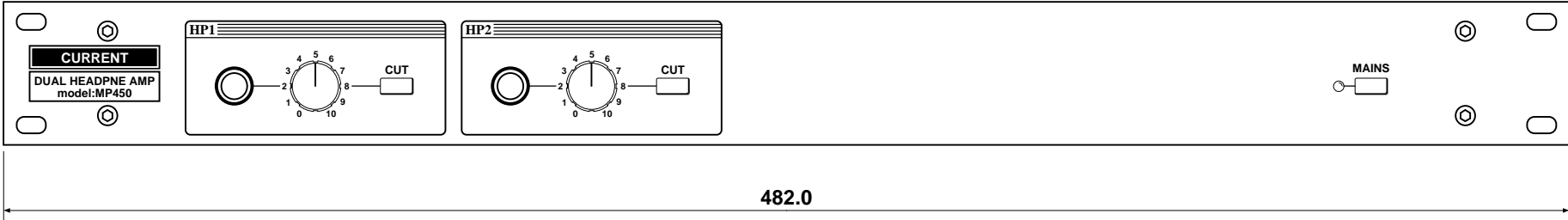
Dual Monitor Unit	MP460A	¥248,000
accessory : AC cable		

The specifications are subject to change without notice.
 2-26-11 AKATSUTSUMI, SETAGAYA-KU, TOKYO, 156-0044 JAPAN

MONITOR SYSTEM
 HEADPHONES AMP
 CUE SYSTEM
 COMMUNICATION
 TB. COUGH SYSTEM
 MATRIX AMP
 AUDIO ROUTER
 AUDIO VIDEO
 SWITCHER
 SYSTEM SWITCHER
 EMERGENCY
 AUDIO VIDEO
 DISTRIBUTOR
 METER SYSTEM
 ANALOG, DIGITAL
 PREAMP MIXER
 LEVEL UNIT
 DIGITAL AUDIO
 FADER UNIT
 AUTO FADER
 TALLY FADER
 CLOCK TIMER
 EVENT SYSTEM
 SPECIAL PRODUCTS
 ETC.



302.6



44.0

482.0

Sep.2008

(c)CURRENT,INC.	DUAL HEADPHONE AMP MP450	NOV. 96
H.ICHIHASHI	PANEL DIAGRAM	MP450-D2008

MP460A "REMOTE" D9-F(#4-40) Connector Pin List

Ribbon	Hard	Signal name	Designation	Active
1	1	LP COM	LAMP COMMON +15V (MAX 100mA)	+15VDC
2	6	SW COM	SWITCH COMMON 0V	GND
3	2	SW1	MONITOR SELECT SWITCH 1	L
4	7	LP1	MONITOR SELECT LAMP 1	L
5	3	SW2	MONITOR SELECT SWITCH 2	L
6	8	LP2	MONITOR SELECT LAMP 2	L
7	4			
8	9			
9	5			

Dサブコネクタの接続はHARDピン番号で接続してください。取付ビスは#4-40インチビスを使用して下さい

CAUTION! D-Connector for wiring refer toHard pin number Description. Mounting screw for D-connector use #4-40 size.