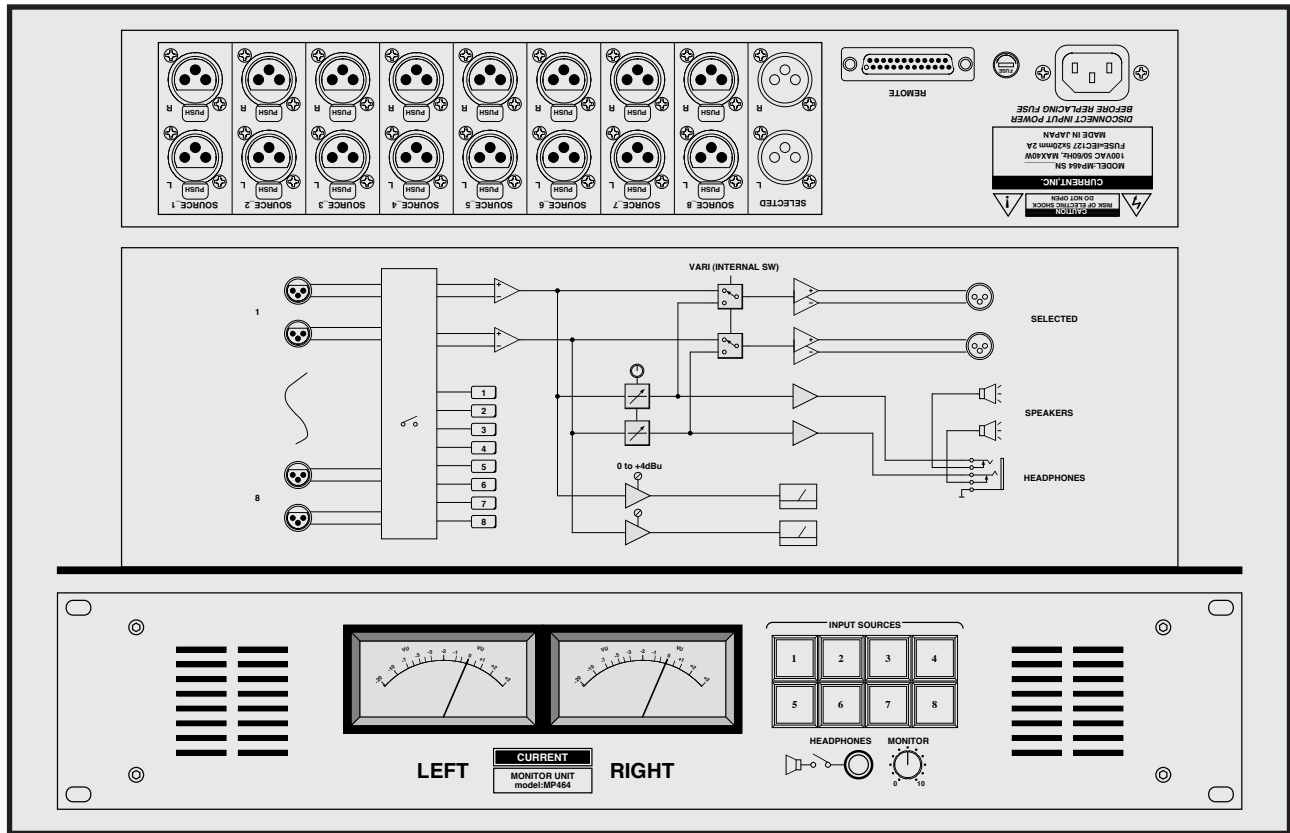


# CURRENT PRODUCTS model:MP464

## 8 STEREO MONITOR UNIT



- 24ch source input
- Selected out
- Large-sized speaker and headphone
- Highest grade VU meter
- Remote possible source select
- 19 inches 2U size

*MP466 is a monitor unit of 19 inches 2U size providing a speaker and headphone monitor function. It chooses a source of 24ch and can monitor it and is most suitable for the confirmation of the sound source or the monitoring of the line. It can also use it as a line selector by using selected out.*

### "Input-output"

To the reference level that the standard reference level is +4dBu, but is different also available. (on an order)  
 Input reference is +4dBu, but 0dBu can also set it by setting an internal output level trim. (default Unity gain)

### "Monitor"

When it places headphone, the monitor speaker is cut.  
 The monitor speaker of the 70mm square size provides enough volume and Hi-Fi sound.

### "Meter"

The VU meter indicates the signal which it chose with a source selector.  
 As for the meter unit, the level monitoring that is accurate because it has used a product made in sifam which has been used in a high-end console is possible.  
 As for the reference level, the adjustment is also possible from 0dBu to +4dBu in an internal trim.

### "Monitor selector"

It is easily possible for a change to name of the selecting switch by changing the seat of the button.



### SPECIFICATIONS

- 🍎 **INPUTS:** 8-STEREO BALANCED 24kΩ, REF=+4dBu to 0dBu
- 🍎 **INPUT CONNECTOR:** XLR3-F
- 🍎 **OUTPUTS:** STEREO BALANCED 50Ω, REF=+4dBu to 0dBu
- 🍎 **OUTPUT CONNECTOR:** XLR3-M
- 🍎 **FREQUENCY RESPONSE:** 20 to 20kHz ±0.1dB
- 🍎 **NOISE:** <-90dBu
- 🍎 **HEADPHONES:** imp > 50Ω, 6.3σ STEREO Phone
- 🍎 **SPEAKER:** 5W+5W (PEAK=10W+10W)
- 🍎 **MONITOR THD:** <1% @ REF
- 🍎 **METER:** R22AF, REF=+4dBu to 0dBu Internal Adjust
- 🍎 **SOURCE SELECT REMOTE:** D25-F(#4-40)
- 🍎 **MAINS:** 100VAC 50/60Hz, 40W
- 🍎 **DIMENSIONS:** 482Wx88Hx303D, 5kg

8 Stereo Monitor Unit	MP464	¥480,000
accessory : AC cable		

The specifications are subject to change without notice.  
 2-26-11 AKATSUTSUMI, SETAGAYA-KU, TOKYO, 156-0044 JAPAN

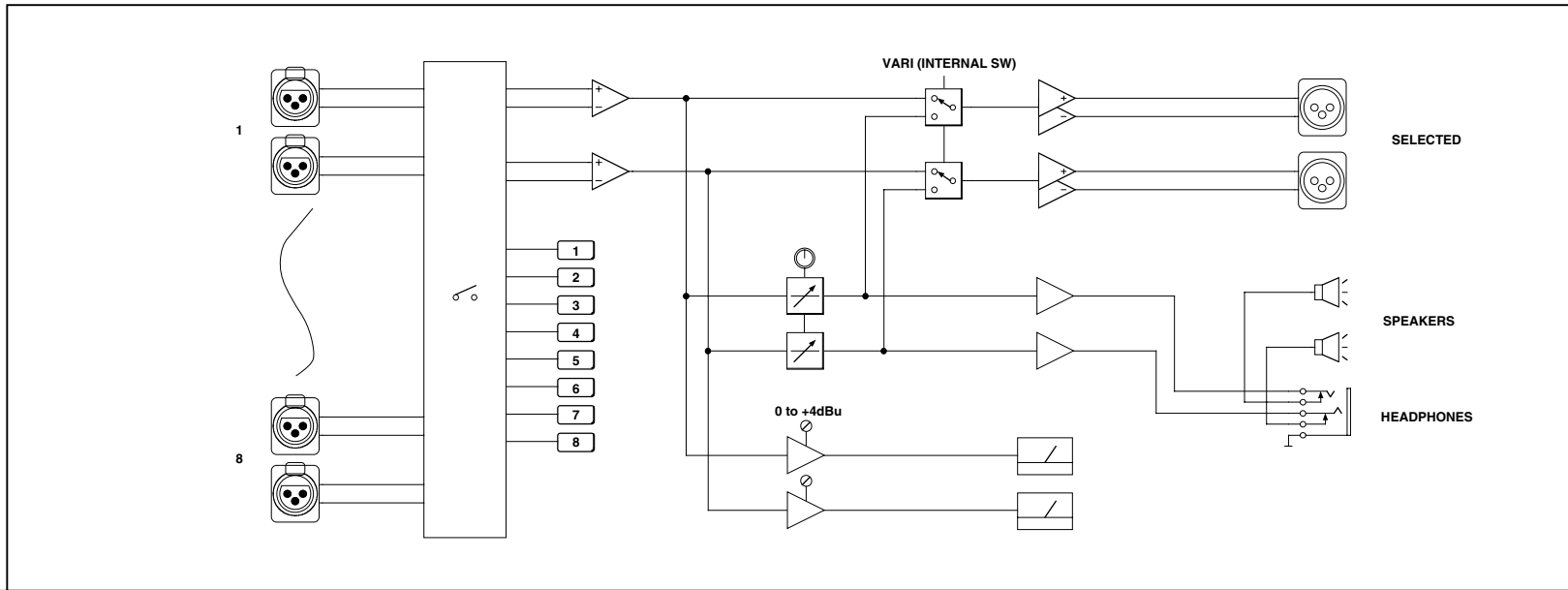
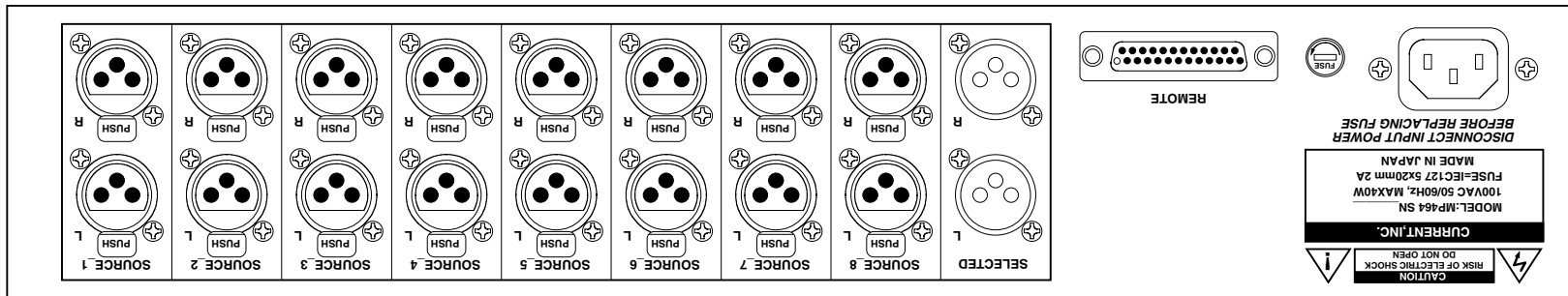
MONITOR SYSTEM HEADPHONES AMP CUE SYSTEM COMMUNICATION TB. COUGH SYSTEM MATRIX AMP AUDIO ROUTER AUDIO VIDEO SWITCHER SYSTEM SWITCHER EMERGENCY AUDIO VIDEO DISTRIBUTOR METER SYSTEM ANALOG, DIGITAL PREAMP MIXER LEVEL UNIT DIGITAL AUDIO FADER UNIT AUTO FADER TALLY FADER CLOCK, TIMER EVENT SYSTEM SPECIAL PRODUCTS ETC.

## MP464 "REMOTE" Connector Pin List (D25-F #4-40)

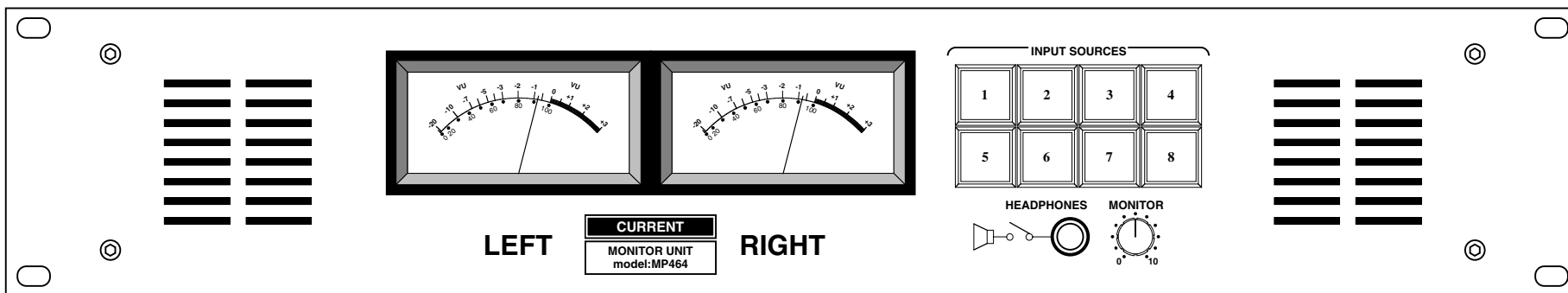
Ribbon	Hard	Signal name	Description	Active
1	1	SW COM	SWITCHES COMMON	0V
2	14	LP COM	LAMPS COMMON	+5V
3	2	S1	SWITCH 1	L
4	15	B1	LAMP 1	L
5	3	S2	SWITCH 2	L
6	16	B2	LAMP 2	L
7	4	S3	SWITCH 3	L
8	17	B3	LAMP 4	L
9	5	S4	SWITCH 4	L
10	18	B4	LAMP 4	L
11	6	S5	SWITCH 5	L
12	19	B5	LAMP 5	L
13	7	S6	SWITCH 6	L
14	20	B6	LAMP 6	L
15	8	S7	SWITCH 7	L
16	21	B7	LAMP 7	L
17	9	S7	SWITCH 8	L
18	22	B8	LAMP 8	L
19	10			
20	23			
21	11			
22	24			
23	12			
24	25			
25	13			

注意！ Dサブコネクタの接続はHARDピン番号で接続してください。取付は#4-40インチビスです。

CAUTION! D-Connector for wiring refer toHard pin number Description. Mounting screw for D-connector use #4-40 size.



302.6



88.0

482.0

(c)CURRENT,INC.	MONITOR UNIT MP464	JUL.2003
H.ICHIHASHI	PANEL DIAGRAM	MP464-D