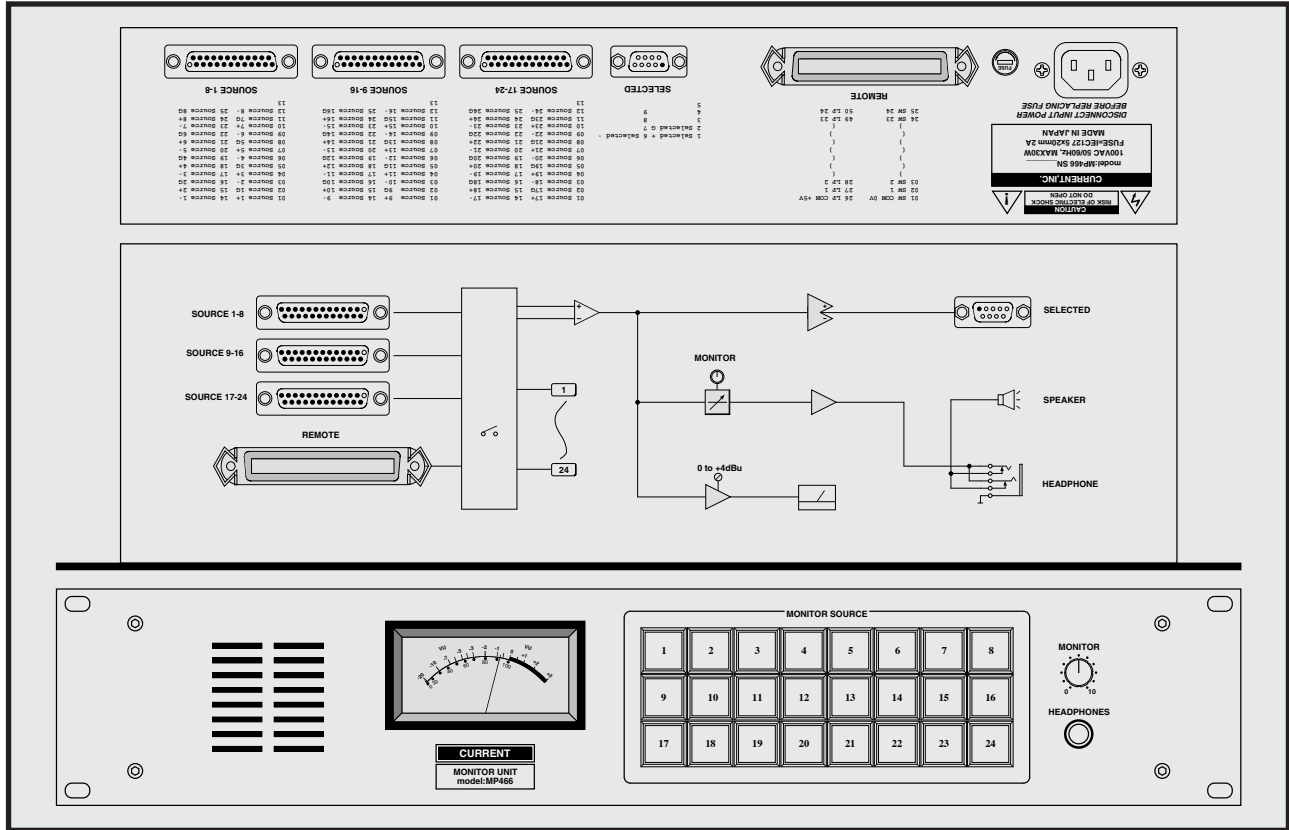


# CURRENT PRODUCTS model:MP466

## 24ch MONITOR UNIT



24ch source input, Selected out  
 Large-sized speaker and headphone  
 Highest grade VU meter, Remote source select  
 19 inches 2U size

**MP466 is a speaker and a monitor unit comprising the headphone monitor at 19 inches 2U size. It chooses a source of 24ch and can monitor it and is most suitable for a line selector, the confirmation of the source, the monitor of the line because there is the select out.**

### "Input and output"

The standard reference level is +4dBu, but the correspondence to a different reference level is possible, too. The 0dBu output can set +4dBu input again (at the time of an order) in an internal output level adjustment trim. (the shipment, Unity gain)

### "Monitor"

When it places headphone, as for the monitor speaker, the speaker is cut. It provides volume and the high-fidelity sound that it is a thing using 70 angles of size, and are enough for a monitor speaker.

### "Meter"

The VU meter indicates the signal which it chose with a source selector. The level monitor that is accurate because it uses a product made in sifam company used for a high-end console in a meter unit is possible. In addition, as for the reference level, the adjustment is possible to 0dBu - +4dBu in inside trim.

### "Others"

The name of the selecting switch can easily do a change by changing the seat of the button.

SOURCE IN DSUB25-F		SELECTED DSUB9-M	
01 1 +	14 1 -	01 out +	06 out -
02 1 GND	15 2 +	02 out GND	07
03 2 -	16 2 GND	03	08
04 3 +	17 3 -	04	09
05 3 GND	18 4 +	05	
06 4 -	19 4 GND		
07 5 +	20 5 -		
08 5 GND	21 6 +		
09 6 -	22 6 GND		
10 7 +	23 7 -		
11 7 GND	24 8 +		
12 8 -	25 8 GND		
13			

## SPECIFICATIONS

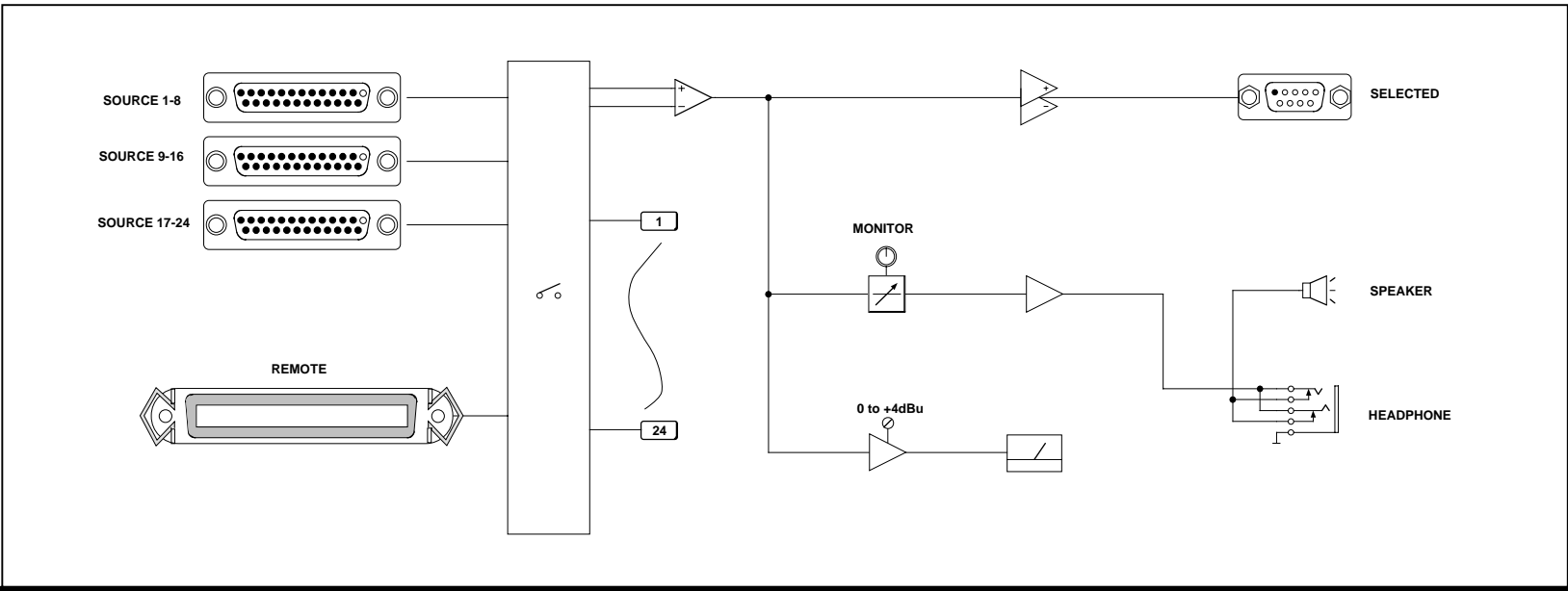
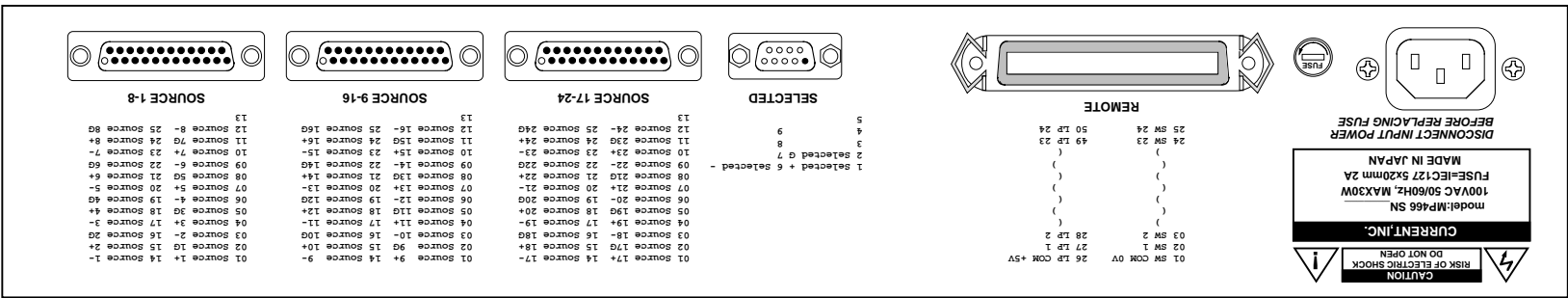
- INPUTS: 24 BALANCED 24kΩ, REF=+4dBu max=+24dBu
- INPUT CONNECTOR: Dsub25-F(#4-40)
- OUTPUTS: BALANCED 50Ω, REF=+4dBu max=+24dBu
- OUTPUT CONNECTOR: Dsub9-M(#4-40)
- FREQUENCY RESPONSE: 20 to 20kHz ±0.1dB
- NOISE: <-90dBu
- HEADPHONES: imp >50Ω, 6.3ø STEREO Phone
- SPEAKER: 5W (PEAK=10W)
- MONITOR THD: <1% @ REF
- METER: R22AF, REF=+4dBu to 0dBu Internal Adjust
- SOURCE REMOTE: 57-40500
- MAINS: 100VAC 50/60Hz, 20W
- DIMENSIONS: 482Wx88Hx303D, 5kg



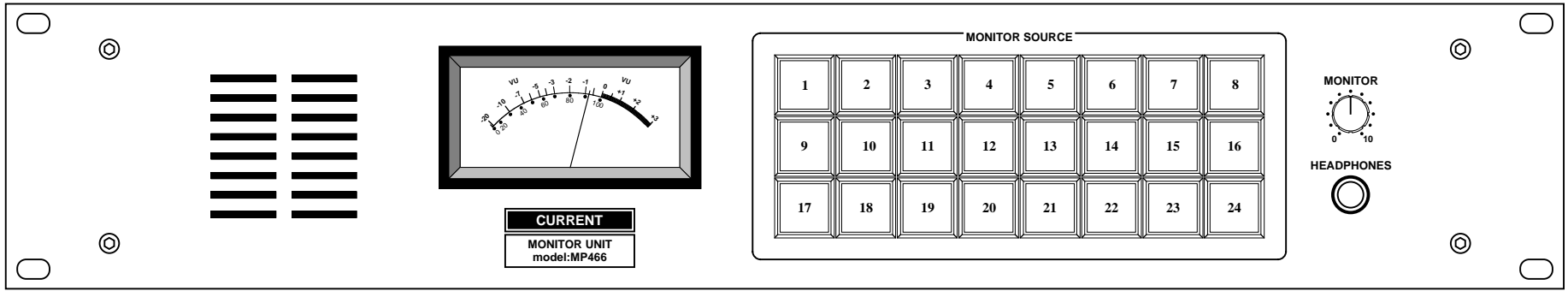
24ch Monitor Unit	MP466	¥480,000
accessory : AC cable		

The specifications are subject to change without notice.  
 2-26-11 AKATSUTSUMI, SETAGAYA-KU, TOKYO, 156-0044 JAPAN

MONITOR SYSTEM  
 HEADPHONES AMP  
 CUE SYSTEM  
 COMMUNICATION  
 TB. COUGH SYSTEM  
 MATRIX AMP  
 AUDIO ROUTER  
 AUDIO VIDEO  
 SWITCHER  
 SYSTEM SWITCHER  
 EMERGENCY  
 AUDIO VIDEO  
 DISTRIBUTOR  
 METER SYSTEM  
 ANALOG, DIGITAL  
 PREAMP MIXER  
 LEVEL UNIT  
 DIGITAL AUDIO  
 FADER UNIT  
 AUTO FADER  
 TALLY FADER  
 CLOCK TIMER  
 EVENT SYSTEM  
 SPECIAL PRODUCTS  
 ETC.



302.6



88.0

482.0

(c)CURRENT,INC.	<b>MONITOR UNIT MP466</b>	Jan.2006
H.ICHIHASHI	<b>PANEL DIAGRAM</b>	MP466-D

## MP466 "SOURCE 1-8","9-16", "17-24"D25-F(#4-40) Pin List

Ribbon	Hard	Signal name	Description	Active
1	1	CH1+	SOURCE INPUT 1+	
2	14	CH1-	SOURCE INPUT 1-	
3	2	CH1G	GND	
4	15	CH2+	SOURCE INUT 2+	
5	3	CH2-	SOURCE INUT 2-	
6	16	CH2G	GND	
7	4	CH3+	SOURCE INUT 3+	
8	17	CH3-	SOURCE INUT 3-	
9	5	CH3G	GND	
10	18	CH4+	SOURCE INUT 4+	
11	6	CH4-	SOURCE INUT 4-	
12	19	CH4G	GND	
13	7	CH5+	SOURCE INUT 5+	
14	20	CH5-	SOURCE INUT 5-	
15	8	CH5G	GND	
16	21	CH6+	SOURCE INUT 6+	
17	9	CH6-	SOURCE INUT 6-	
18	22	CH6G	GND	
19	10	CH7+	SOURCE INUT 7+	
20	23	CH7-	SOURCE INUT 7-	
21	11	CH7G	GND	
22	24	CH8+	SOURCE INUT 8+	
23	12	CH8-	SOURCE INUT 8-	
24	25	CH8G	GND	
25	13			

### "MP466 Selected out" D9-M(#4-40) Pin List

Ribbon	Hard	Signal name	Designation	Active
1	1	SELECTED+	SELECTED OUTPUT +	
2	6	SELECTED-	SELECTED OUTPUT -	
3	2	GND	GND	
4	7			
5	3			
6	8			
7	4			
8	9			
9	5			

注意！ Dサブコネクタの接続はHARDピン番号で接続してください。取付は#4-40インチビスです。

**CAUTION! D-Connector for wiring refer toHard pin number Description. Mounting screw for D-connector use #4-40 size.**

## MP466 "REMOTE" 57-40500 Pin List

Pin	Hard	Signal name	Description	Active
1	1	SW COM	SWITCHES COMMON	0V
2	26	LP COM	LAMPS COMMON	+5V
3	2	SW1	MONITOR SELET SWITCH 1	Lo
4	27	LP1	MONITOR SELET LAMP 1	Lo
5	3	SW2	MONITOR SELET SWITCH 2	Lo
6	28	LP2	MONITOR SELET LAMP 2	Lo
7	4	SW3	MONITOR SELET SWITCH 3	Lo
8	29	LP3	MONITOR SELET LAMP 3	Lo
9	5	SW4	MONITOR SELET SWITCH 4	Lo
10	30	LP4	MONITOR SELET LAMP 4	Lo
11	6	SW5	MONITOR SELET SWITCH 5	Lo
12	31	LP5	MONITOR SELET LAMP 5	Lo
13	7	SW6	MONITOR SELET SWITCH 6	Lo
14	32	LP6	MONITOR SELET LAMP 6	Lo
15	8	SW7	MONITOR SELET SWITCH 7	Lo
16	33	LP7	MONITOR SELET LAMP 7	Lo
17	9	SW8	MONITOR SELET SWITCH 8	Lo
18	34	LP8	MONITOR SELET LAMP 8	Lo
19	10	SW9	MONITOR SELET SWITCH 9	Lo
20	35	LP9	MONITOR SELET LAMP 9	Lo
21	11	SW10	MONITOR SELET SWITCH 10	Lo
22	36	LP10	MONITOR SELET LAMP 10	Lo
23	12	SW11	MONITOR SELET SWITCH 11	Lo
24	37	LP11	MONITOR SELET LAMP 11	Lo
25	13	SW12	MONITOR SELET SWITCH 12	Lo
26	38	LP12	MONITOR SELET LAMP 12	Lo
27	14	SW13	MONITOR SELET SWITCH 13	Lo
28	39	LP13	MONITOR SELET LAMP 13	Lo
29	15	SW14	MONITOR SELET SWITCH 14	Lo
30	40	LP14	MONITOR SELET LAMP 14	Lo
31	16	SW15	MONITOR SELET SWITCH 15	Lo
32	41	LP15	MONITOR SELET LAMP 15	Lo
33	17	SW16	MONITOR SELET SWITCH 16	Lo
34	42	LP16	MONITOR SELET LAMP 16	Lo
35	18	SW17	MONITOR SELET SWITCH 17	Lo
36	43	LP17	MONITOR SELET LAMP 17	Lo
37	19	SW18	MONITOR SELET SWITCH 18	Lo
38	44	LP18	MONITOR SELET LAMP 18	Lo
39	20	SW19	MONITOR SELET SWITCH 19	Lo
40	45	LP19	MONITOR SELET LAMP 19	Lo
41	21	SW20	MONITOR SELET SWITCH 20	Lo
42	46	LP20	MONITOR SELET LAMP 20	Lo
43	22	SW21	MONITOR SELET SWITCH 21	Lo
44	47	LP21	MONITOR SELET LAMP 21	Lo
45	23	SW22	MONITOR SELET SWITCH 22	Lo
46	48	LP22	MONITOR SELET LAMP 22	Lo
47	24	SW23	MONITOR SELET SWITCH 23	Lo
48	49	LP23	MONITOR SELET LAMP 23	Lo
49	25	SW24	MONITOR SELET SWITCH 24	Lo
50	50	LP24	MONITOR SELET LAMP 24	Lo

注意！ Dサブコネクタの接続はHARDピン番号で接続してください。取付は#4 - 40インチビスです。  
**CAUTION! D-Connector for wiring refer to Hard pin number Description. Mounting screw for D-connector use #4-40 size.**