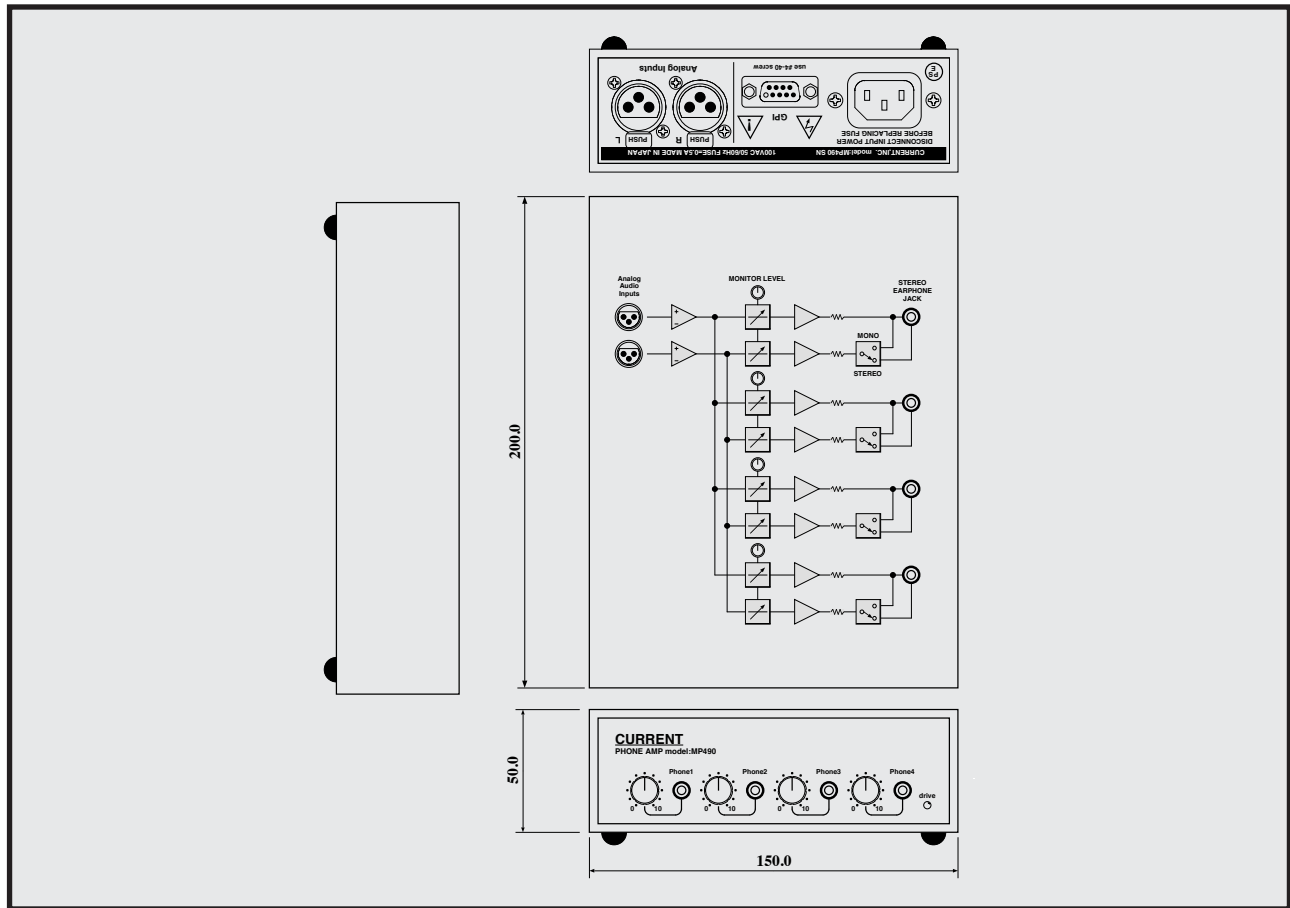


# CURRENT PRODUCTS model:MP490

## PHONE AMP



Stereo phone amplifier  
 Balance, XLR input  
 4 independent output  
 Earphone or headphone  
 Compact and robust

**MP490 is a stereo phone amplifier with XLR input. The phone amplifier is made with a solid aluminum pipe type case of the 3mm thickness and it is strong and pure and drives 4 stereo-phonetic headphone or stereophonic earphone.**

### "Input"

The input of MP490 is balance specifications using the general XLR type connector. Every, not to mention a studio, the broadcast spot, live broadcasting can support flexibly on the site. In addition, it can use it for the monitor use of the signal line because input impedance is more than 50kΩ.

### "Monitor output"

It can set a monitor level individually by being implementing the independent amplifier of 4 systems.

### "Others"

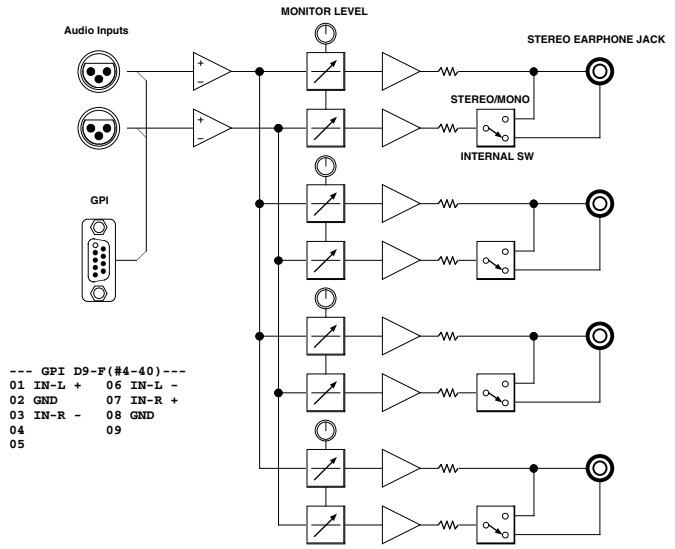
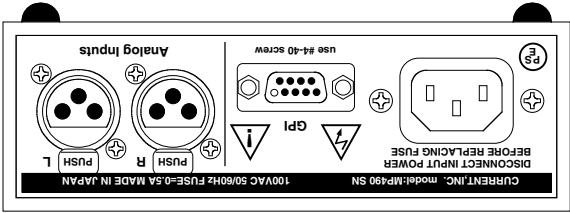
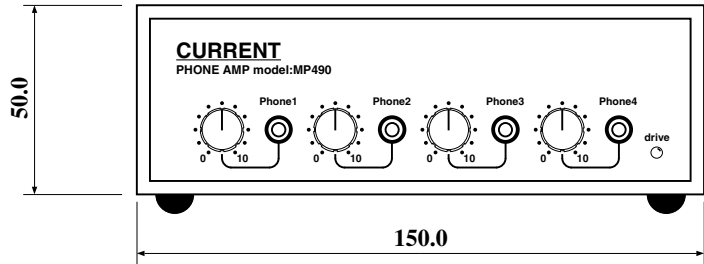
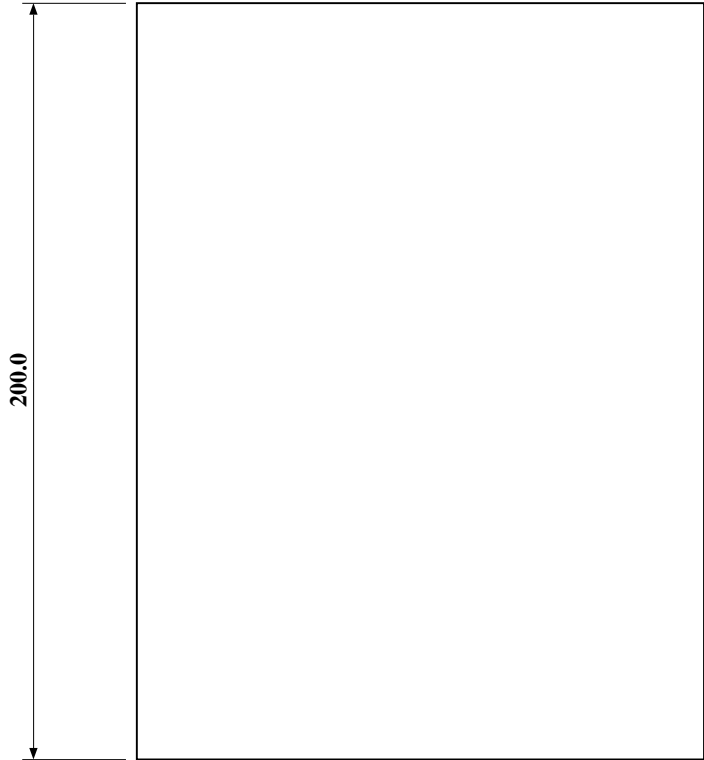
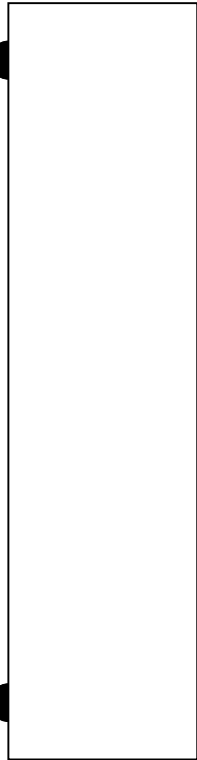
When connector is 3.5mm stereo jack and uses a general headphone plug, conversion host adapter is necessary. In addition, it is set in a stereo mode on the shipment, but can change it to mono mode with an internal switch. In addition, every output can set it.

### SPECIFICATIONS

- 🍏 **INPUTS:** BALANCED, > 50kΩ, XLR3-F
- 🍏 **INPUT LEVEL:** REF=+4dBu, MAX=+24dBu
- 🍏 **OUTPUTS CONNECTOR:** 3.5mm STEREO x4
- 🍏 **OUTPUTS LEVEL:** MAX 100mW at 50Ω
- 🍏 **MAINS:** 100VAC 50/60Hz MAX 5W
- 🍏 **DIMENSIONS:** 150W x 50H x 200D 1.5kg

Phone amp	MP490	¥192,000
accessory : AC cable		

The specifications are subject to change without notice.  
 2-26-11 AKATSUTSUMI, SETAGAYA-KU, TOKYO, 156-0044 JAPAN



--- GPI D9-F(#4-40) ---  
 01 IN-L +    06 IN-L -  
 02 GND     07 IN-R +  
 03 IN-R -    08 GND  
 04            09  
 05

(c)CURRENT,INC.	MP490 PHONE AMP	Oct.2007
H.ICHIHASHI	PANEL DIAGRAM	MP490-D