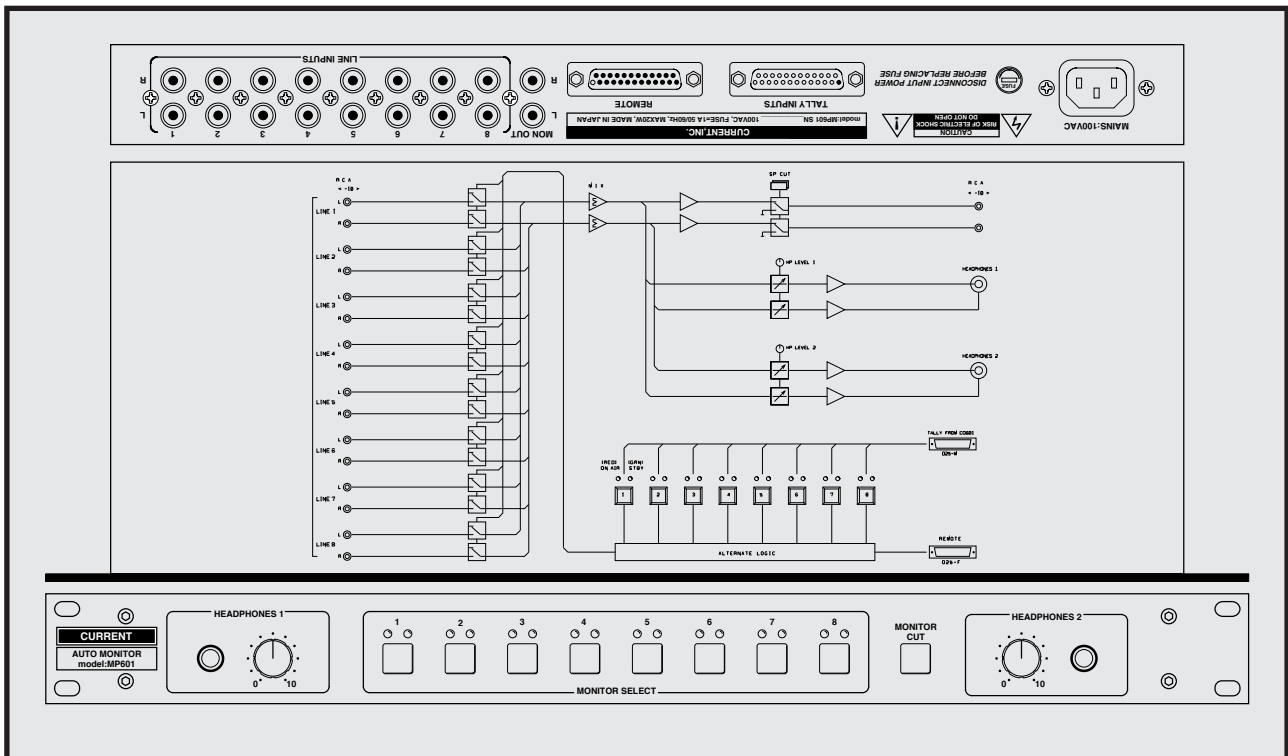


CURRENT PRODUCTS model:MP601

CD AUTO MONITOR



It is most suitable for a CD, the monitor of the MD system

It is compatible by TEAC CD601, MD801

It is connectable with 8 CD, MD

Headphone of the dual

Monitor automatic cut

READY, ONLINE display

19 inches 1U size

The MP601 can use the convenient functions such as online auto monitor cuts by the TEAC CD601 system with a monitor unit developed as CD and monitors use such as MDs.

"8 equipment"

It connects up to 8 equipment to MP601 and can use it. It can choose equipment to monitor with a button of the front panel and mixes the source which it chose and can monitor it with headphone. Mix source is output by monitor output of the rear panel and can cut it with MONITOR _ CUT button of the front panel. The headphone is not cut even at this time.

"Automatic monitor cut"

The source which connected equipment chose with a monitor if online is cut automatically. In addition, it can omit both of the reselection to return to a former state when it becomes offline. As for this function, both headphone and monitor output are similar.

"Tarry"

It can show front panel READY and ONLINE tarry and can know a state of the equipment visually.

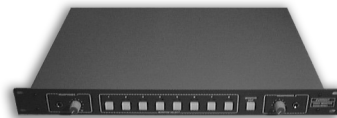
"Remote"

Monitor select and the monitor cut button can make remote control

from external.

"Others"

The tarry output of the remote connector of the main frame is not quick in a response, and, please connect according READY, the online tarry to the connector of the remote unit. In addition, please refer about the specifications of the non-standard.

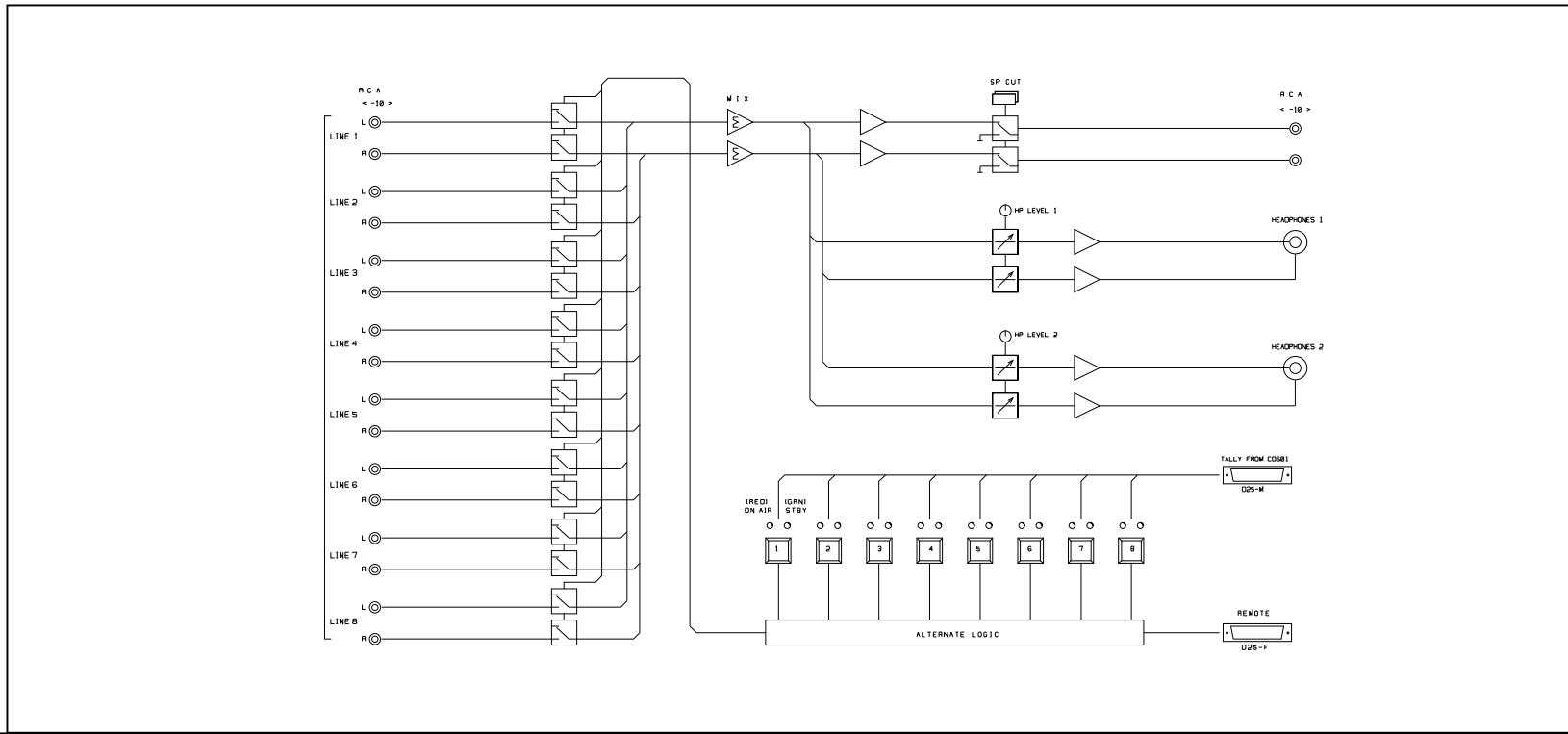
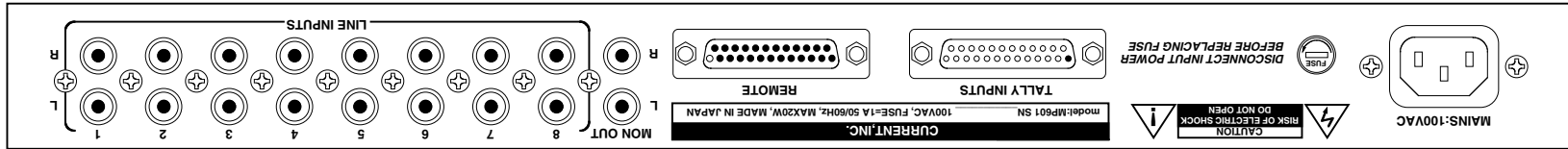


SPECIFICATIONS

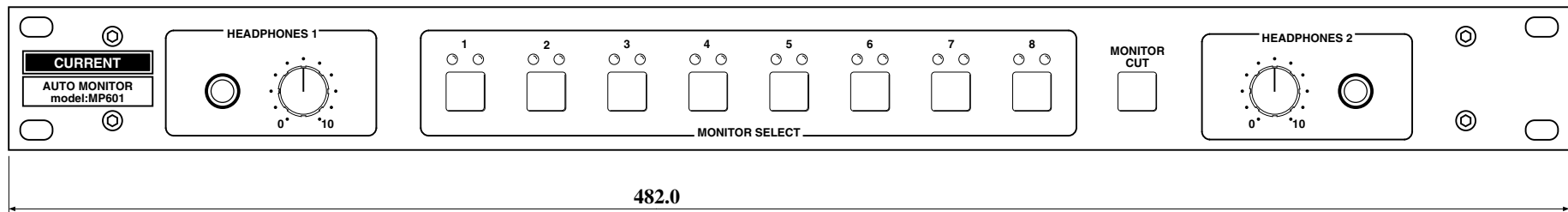
- 🍏 INPUTS: STEREO x8, -10dBu, MAX=+20dBu
- 🍏 INPUTS CONNECTORS: RCA, UNBALANCED, 10kΩ
- 🍏 OUTPUTS: STEREO, -10dBu, MAX=+20dBu
- 🍏 OUTPUT CONNECTORS: RCA, UNBALANCED, 75Ω
- 🍏 HEADPHONES CONNECTOR: 1/4" STEREO PHONE
- 🍏 HEADPHONES OUTPUT: x2, >50Ω, MAX=500mW
- 🍏 FREQUENCY RESPONSE: 20Hz-20kHz ±0.1dB
- 🍏 THD: < 0.1% at 1kHz REFERENCE LEVEL
- 🍏 NOISE: < -90dB
- 🍏 REMOTE CONNECTOR: Dsub25-D(#4-40)
- 🍏 TALLY INPUT CONNECTOR: Dsub25-M(#4-40)
- 🍏 MAINS: 100-120VAC 50/60Hz 20W
- 🍏 DIMENSIONS: 482Wx44Hx303D 4.5kg

Auto mix	MP601	¥480,000
----------	-------	----------

accessory : battery



302.6



(c)CURRENT,INC.	MP601 AUTO MONITOR	MAY 98
H.ICHIHASHI	PANEL DIAGRAM	MP601-D

Aug.2005

MP601 "REMOTE" D25-F(#4-40) Connector Pin List

Ribbon	Hard	Signal name	Designation	Active
1	1	SW COM	SWITCHES COMMON	0V
2	14	LP COM	LAMPS COMMON	+15V
3	2	SW1	MONITOR SELECT SWITCH 1	Lo
4	15	LP1	MONITOR SELECT LAMP 1	Lo
5	3	SW2	MONITOR SELECT SWITCH 2	Lo
6	16	LP2	MONITOR SELECT LAMP 2	Lo
7	4	SW3	MONITOR SELECT SWITCH 3	Lo
8	17	LP3	MONITOR SELECT LAMP 3	Lo
9	5	SW4	MONITOR SELECT SWITCH 4	Lo
10	18	LP4	MONITOR SELECT LAMP 4	Lo
11	6	SW5	MONITOR SELECT SWITCH 5	Lo
12	19	LP5	MONITOR SELECT LAMP 5	Lo
13	7	SW6	MONITOR SELECT SWITCH 6	Lo
14	20	LP6	MONITOR SELECT LAMP 6	Lo
15	8	SW7	MONITOR SELECT SWITCH 7	Lo
16	21	LP7	MONITOR SELECT LAMP 7	Lo
17	9	SW8	MONITOR SELECT SWITCH 8	Lo
18	22	LP8	MONITOR SELECT LAMP 8	Lo
19	10	SW9	MONITOR CUT SWITCH	Lo
20	23	LP9	MONITOR CUT LAMP	Lo
21	11			
22	24			
23	12			
24	25			
25	13			
		取付ビスは # 4 - 4 0	注意！ Dサブコネクタの接続は	
		汎用ビスを使用して下さい	Hardピン番号で接続してください。	
		Mounting screw for D-connector use	CAUTION! D-Connector for wiring refer to	
		#4-40 size.	Hard pin number Description.	

MP601 "TALLYS" D25-M(#4-40) Connector Pin List

Ribbon	Hard	Signal name	Designation	Active
1	1	COM1	TALLY COMMON 1	
2	14	RDY1	READY TALLY 1	
3	2	ON1	ON_AIR TTALY 1	
4	15	COM2	TALLY COMMON 2	
5	3	RDY2	READY TALLY 2	
6	16	ON2	ON_AIR TTALY 2	
7	4	COM3	TALLY COMMON 3	
8	17	RDY3	READY TALLY 3	
9	5	ON3	ON_AIR TTALY 3	
10	18	COM4	TALLY COMMON 4	
11	6	RDY4	READY TALLY 4	
12	19	ON4	ON_AIR TTALY 4	
13	7	COM5	TALLY COMMON 5	
14	20	RDY5	READY TALLY 5	
15	8	ON5	ON_AIR TTALY 5	
16	21	COM6	TALLY COMMON 6	
17	9	RDY6	READY TALLY 6	
18	22	ON6	ON_AIR TTALY 6	
19	10	COM7	TALLY COMMON 7	
20	23	RDY7	READY TALLY 7	
21	11	ON7	ON_AIR TTALY 7	
22	24	COM8	TALLY COMMON 8	
23	12	RDY8	READY TALLY 8	
24	25	ON8	ON_AIR TTALY 8	
25	13			

取付ビスは # 4 - 4 0

のビスを使用して下さい

Mounting screw for D-connector use
#4-40 size.

注意！ Dサブコネクタの接続は

Hardピンの番号で接続してください。

CAUTION! D-Connector for wiring refer to
Hard pin number Description.

