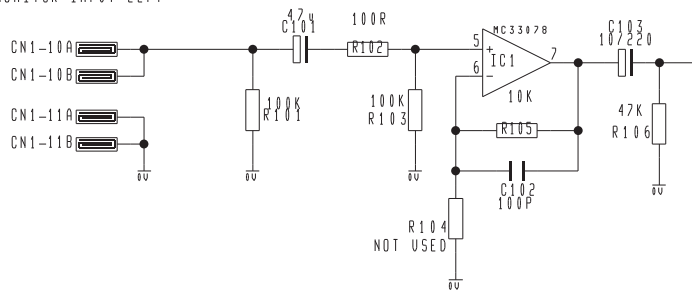


(0)

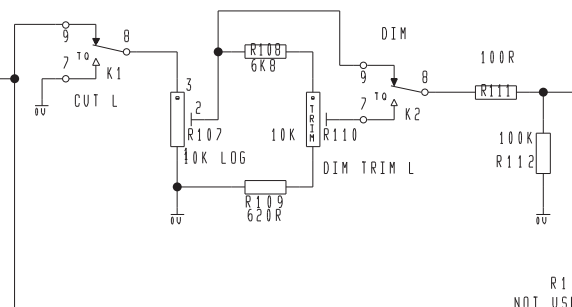
[0]

(0)

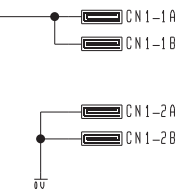
MONITOR INPUT LEFT



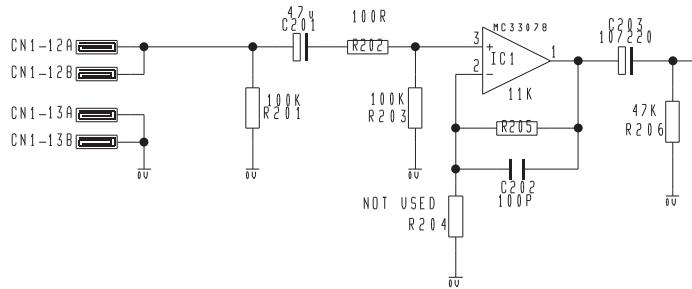
MONITOR LEVEL L



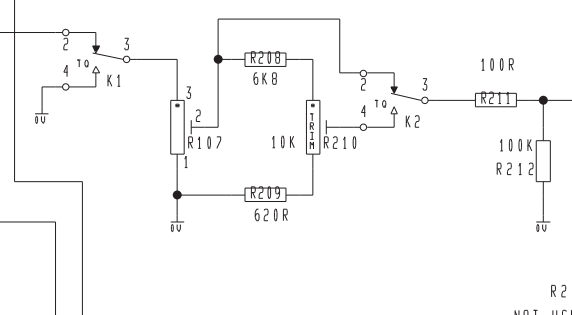
MONITOR OUT LEFT



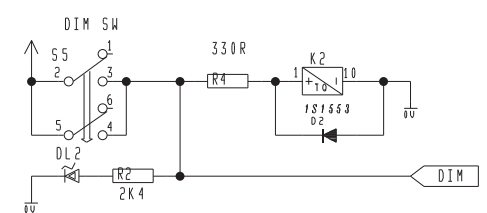
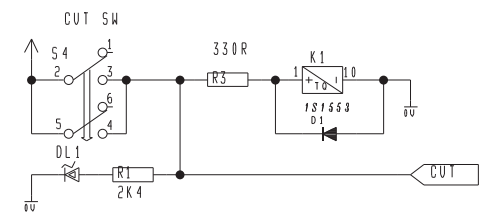
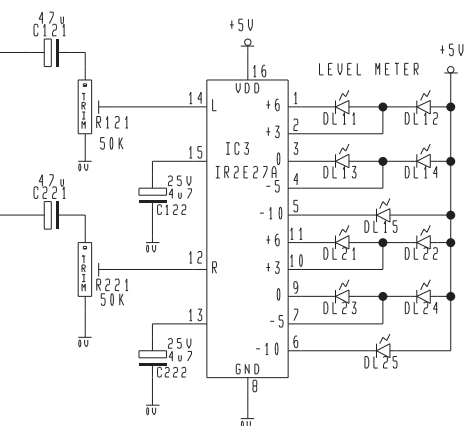
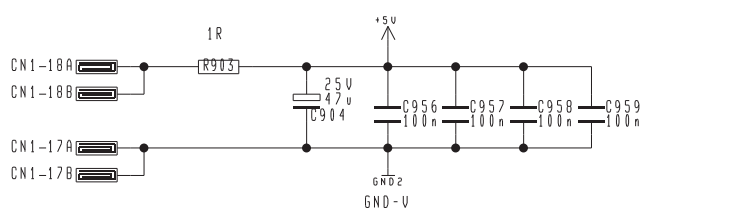
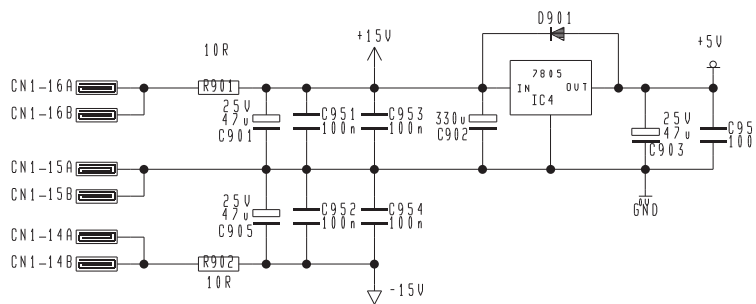
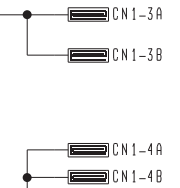
MONITOR INPUT RIGHT

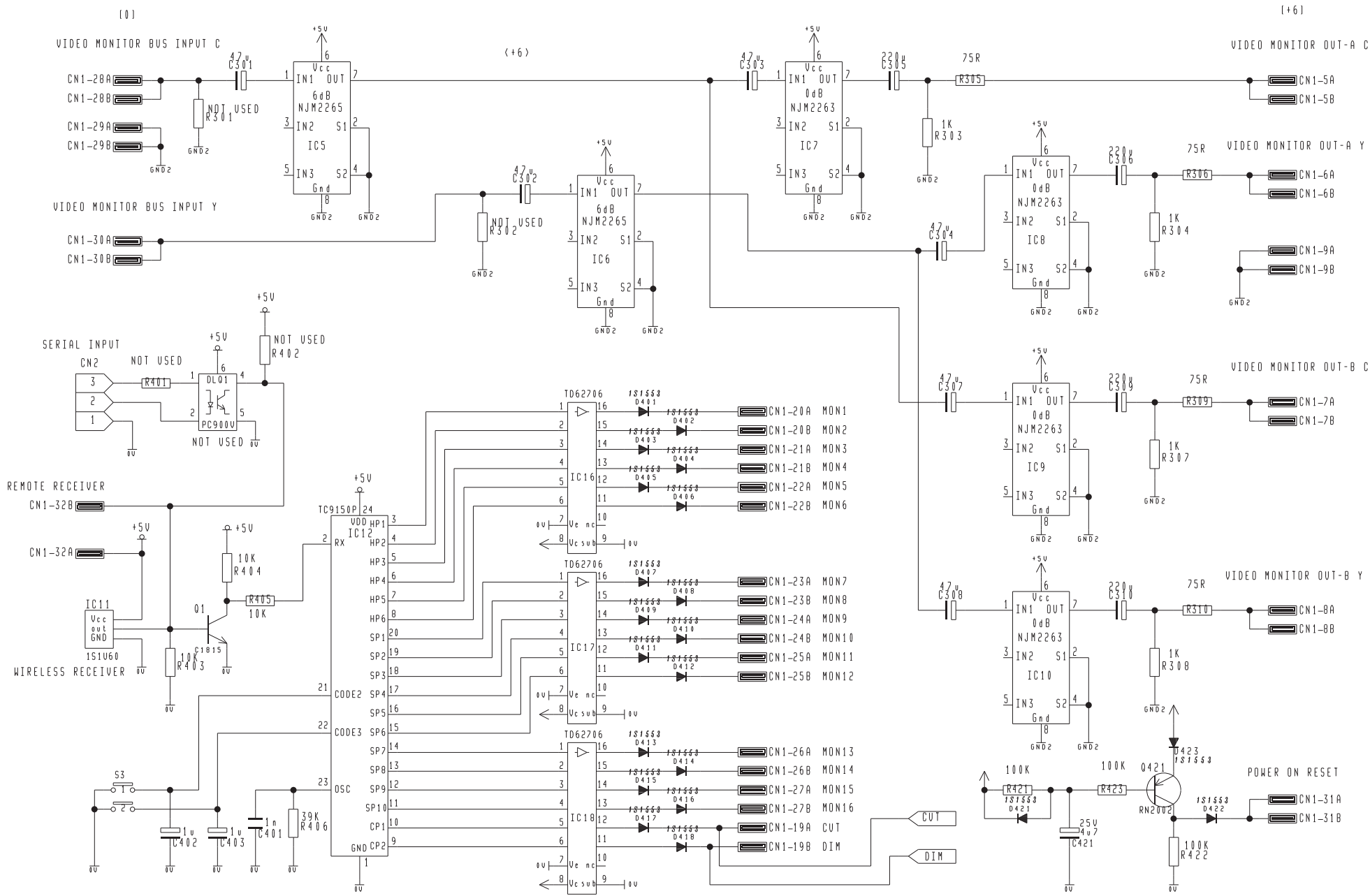


MONITOR LEVEL R

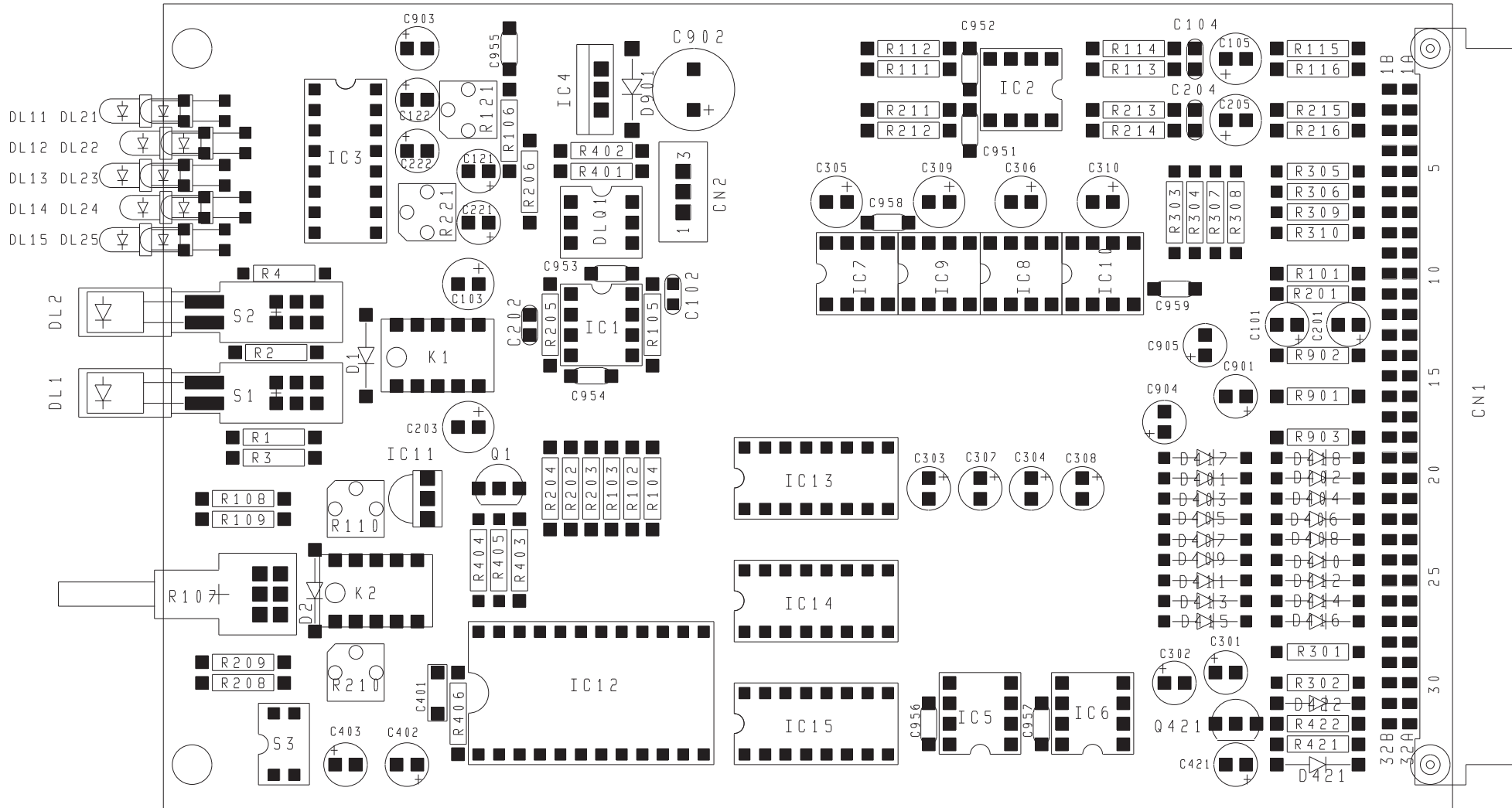


MONITOR OUT RIGHT





ADD R423 100K, D423



(C)CURRENT, INC.

H. ICHIHASHI

PM.1.300.106