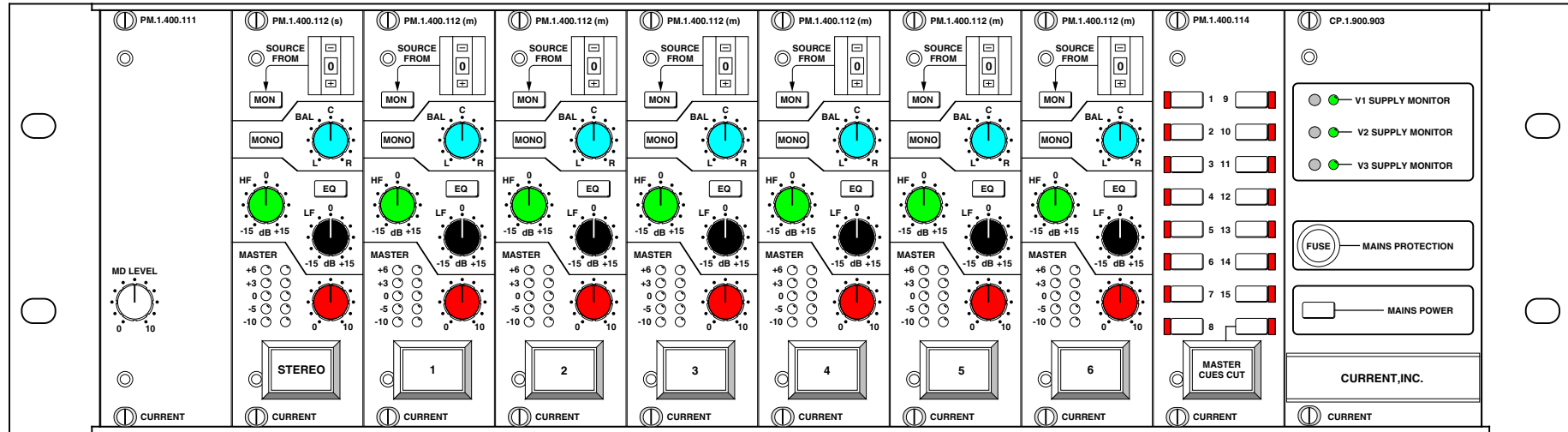
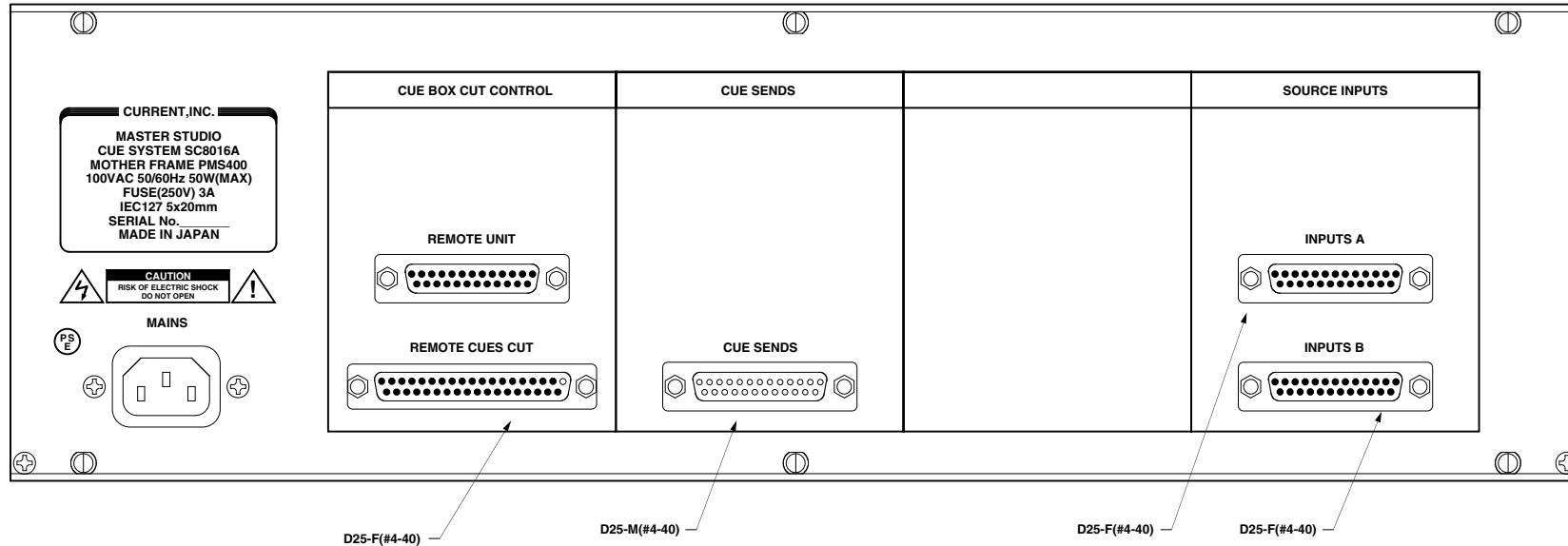


FRONT PANEL

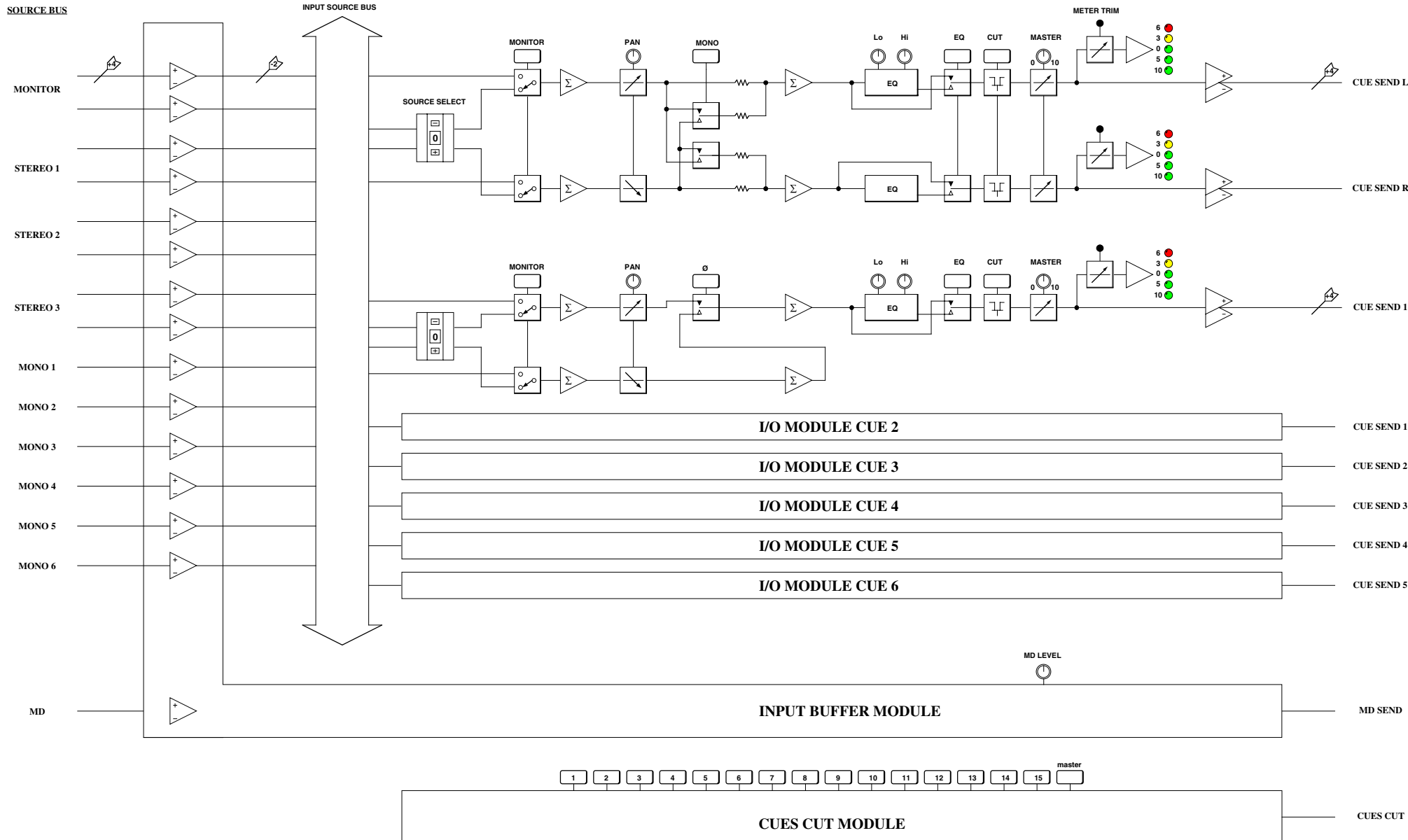


REAR PANEL

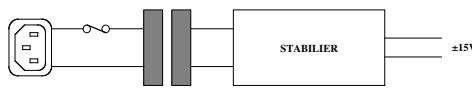


| | | |
|-----------------|-------------------------|--------------|
| (c)CURRENT,INC. | PMS400 CUE MOTHER FRAME | APR.2012 |
| H.ICHIHASHI | PANEL DIAGRAM | PMS400-D2012 |

DIMENSIONS:482.6x132.5x350



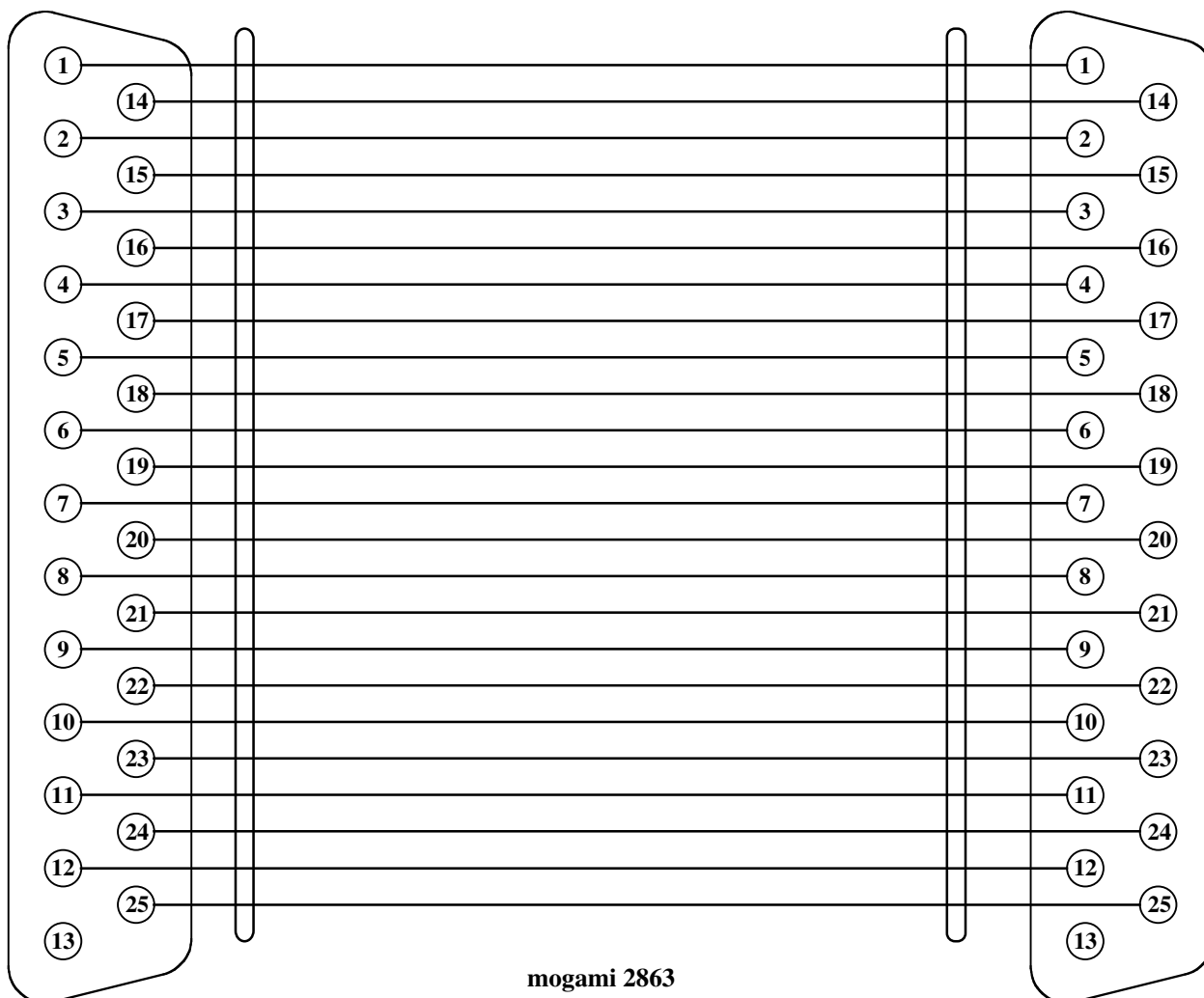
100VAC
50/60Hz



| | | |
|-----------------|--------------------------------|----------|
| (c)CURRENT,INC. | PMS400 CUE MOTHER FRAME | Apr.2012 |
| H.ICHIHASHI | SYSTEM DIAGRAM | PMS400-B |

PMS400
Dsub25-M (#4-40)

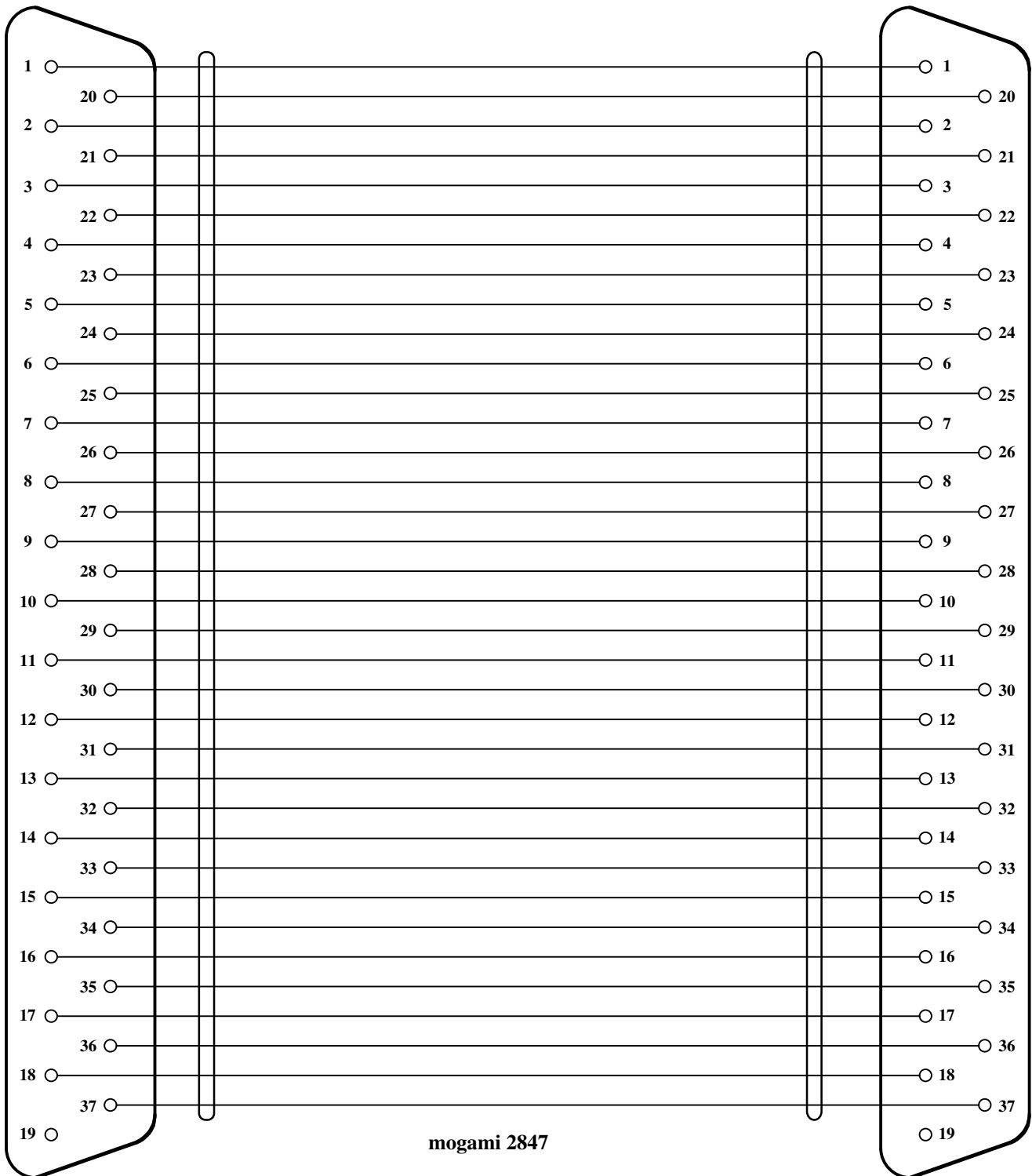
RMS283-1
Dsub25-F (#4-40)



| | | |
|-----------------|-------------------------------------|-----------------------|
| (c)CURRENT,INC. | MASTER STUDIO CUE SYSTEM SC8016A | May.2012 |
| H.ICHIHASHI | PMS400 to RMS283-1 REMOTE CUT CABLE | RMS283-1 remote cable |

PS8016A
Dsub37-F (#4-40)

PMS400
Dsub37-M (#4-40)



| | | |
|-----------------|------------------------------------|--------------------------|
| (c)CURRENT,INC. | MASTER STUDIO CUE SYSTEM SC8016A | May.2012 |
| H.ICHIHASHI | PS8016A to PMS400 REMOTE CUT CABLE | PS8016A Remote cut cable |

PMS400 SC8016/A MOTHER FRAME “INPUT A” D25-F(#4-40) CONNECTOR PIN LIST

| Ribbon | Hard | Signal name | Designation | Active |
|--------|------|--------------|---------------------|--------|
| 1 | 1 | STEREO 1L+ | STEREO INPUT 1L + | |
| 2 | 14 | STEREO 1L- | STEREO INPUT 1L - | |
| 3 | 2 | STEREO 1LG | STEREO INPUT 1L GND | |
| 4 | 15 | STEREO 1R+ | STEREO INPUT 1R + | |
| 5 | 3 | STEREO 1R- | STEREO INPUT 1R - | |
| 6 | 16 | STEREO 1RG | STEREO INPUT 1R GND | |
| 7 | 4 | STEREO 2L+ | STEREO INPUT 2L + | |
| 8 | 17 | STEREO 2L- | STEREO INPUT 2L - | |
| 9 | 5 | STEREO 2LG | STEREO INPUT 2L GND | |
| 10 | 18 | STEREO 2R+ | STEREO INPUT 2R + | |
| 11 | 6 | STEREO 2R- | STEREO INPUT 2R - | |
| 12 | 19 | STEREO 2RG | STEREO INPUT 2R GND | |
| 13 | 7 | STEREO 3L+ | STEREO INPUT 3L + | |
| 14 | 20 | STEREO 3L- | STEREO INPUT 3L - | |
| 15 | 8 | STEREO 3LGLG | STEREO INPUT 3L GND | |
| 16 | 21 | STEREO 3R+ | STEREO INPUT 3R + | |
| 17 | 9 | STEREO 3R- | STEREO INPUT 3R - | |
| 18 | 22 | STEREO 3RG | STEREO INPUT 3R GND | |
| 19 | 10 | MONO 1+ | MONO INPUT 1 + | |
| 20 | 23 | MONO 1- | MONO INPUT 1 - | |
| 21 | 11 | MONO 1G | MONO INPUT 1 GND | |
| 22 | 24 | MONO 2+ | MONO INPUT 2 + | |
| 23 | 12 | MONO 2- | MONO INPUT 2 - | |
| 24 | 25 | MONO 2G | MONO INPUT 2 GND | |
| 25 | 13 | | | |

注意！ Dサブコネクタの接続はHARDピン番号で接続してください。

取付ビスは#4-40インチビスを使用して下さい

CAUTION! D-Connector for wiring refer to Hard pin number Description.

Mounting screw for D-connector use #4-40 size.

PMS400 SC8016/A MOTHER FRAME “INPUT B” D25-F(#4-40) CONNECTOR PIN LIST

| Ribbon | Hard | Signal name | Designation | Active |
|--------|------|-------------|---------------------|--------|
| 1 | 1 | MONO 3+ | MONO INPUT 3 + | |
| 2 | 14 | MONO 3- | MONO INPUT 3 - | |
| 3 | 2 | MONO 3G | MONO INPUT 3 GND | |
| 4 | 15 | MONO 4+ | MONO INPUT 4 + | |
| 5 | 3 | MONO 4- | MONO INPUT 4 - | |
| 6 | 16 | MONO 4G | MONO INPUT 4 GND | |
| 7 | 4 | MONO 5+ | MONO INPUT 5 + | |
| 8 | 17 | MONO 5- | MONO INPUT 5 - | |
| 9 | 5 | MONO 5G | MONO INPUT 5 GND | |
| 10 | 18 | MONO 6+ | MONO INPUT 6 + | |
| 11 | 6 | MONO 6- | MONO INPUT 6 - | |
| 12 | 19 | MONO 6G | MONO INPUT 6 GND | |
| 13 | 7 | MON L+ | MONITOR INPUT L + | |
| 14 | 20 | MON L- | MONITOR INPUT L - | |
| 15 | 8 | MON LG | MONITOR INPUT L GND | |
| 16 | 21 | MON R+ | MONITOR INPUT R + | |
| 17 | 9 | MON R- | MONITOR INPUT R - | |
| 18 | 22 | MON RG | MONITOR INPUT R GND | |
| 19 | 10 | MD IN + | MD INPUT + | |
| 20 | 23 | MD IN - | MD INPUT - | |
| 21 | 11 | MD IN G | MD INPUT GND | |
| 22 | 24 | MD OUT + | MD OUTPUT L | |
| 23 | 12 | MD OUT - | MD OUTPUT - | |
| 24 | 25 | MD OUT G | MD OUTPUT GND | |
| 25 | 13 | | | |

注意！ Dサブコネクタの接続はHARDピン番号で接続してください。

取付ビスは#4-40インチビスを使用して下さい

CAUTION! D-Connector for wiring refer to Hard pin number Description.

Mounting screw for D-connector use #4-40 size.

PMS400 SC8016/A MOTHER FRAME

“OUTPUT ST, CUE1-3” D25-M(#4-40) CONNECTOR PIN LIST

| Ribbon | Hard | Signal name | Designation | Active |
|--------|------|-------------|------------------|--------|
| 1 | 1 | CUE L + | CUE OUTPUT L + | |
| 2 | 14 | CUE L - | CUE OUTPUT L - | |
| 3 | 2 | CUE L G | CUE OUTPUT L GND | |
| 4 | 15 | CUE R + | CUE OUTPUT R + | |
| 5 | 3 | CUE R - | CUE OUTPUT R - | |
| 6 | 16 | CUE R G | CUE OUTPUT R GND | |
| 7 | 4 | CUE 1 + | CUE OUTPUT 1 + | |
| 8 | 17 | CUE 1 - | CUE OUTPUT 1 - | |
| 9 | 5 | CUE 1 G | CUE OUTPUT 1 GND | |
| 10 | 18 | CUE 2 + | CUE OUTPUT 2 + | |
| 11 | 6 | CUE 2 - | CUE OUTPUT 2 - | |
| 12 | 19 | CUE 2 G | CUE OUTPUT 2 GND | |
| 13 | 7 | CUE 3 + | CUE OUTPUT 3 + | |
| 14 | 20 | CUE 3 - | CUE OUTPUT 3 - | |
| 15 | 8 | CUE 3 G | CUE OUTPUT 3 GND | |
| 16 | 21 | CUE 4 + | CUE OUTPUT 4 + | |
| 17 | 9 | CUE 4 - | CUE OUTPUT 4 - | |
| 18 | 22 | CUE 4 G | CUE OUTPUT 4 GND | |
| 19 | 10 | CUE 5 + | CUE OUTPUT 5 + | |
| 20 | 23 | CUE 5 - | CUE OUTPUT 5 - | |
| 21 | 11 | CUE 5 G | CUE OUTPUT 5 GND | |
| 22 | 24 | CUE 6 + | CUE OUTPUT 6 + | |
| 23 | 12 | CUE 6 - | CUE OUTPUT 6 - | |
| 24 | 25 | CUE 6 G | CUE OUTPUT 6 GND | |
| 25 | 13 | | | |

注意！ Dサブコネクタの接続はHARDピン番号で接続してください。

取付ビスは#4-40インチビスを使用して下さい

CAUTION! D-Connector for wiring refer to Hard pin number Description.

Mounting screw for D-connector use #4-40 size.

PMS400 SC8016/A MOTHER FRAME

“REMOTE CUES CUT” D37-M(#4-40) CONNECTOR PIN LIST

| Ribbon | Hard | Signal name | Designation | Active |
|--------|------|-------------|----------------------|--------|
| 1 | 1 | SCUT1 | REMOTE CUT SWITCH 1 | Lo |
| 2 | 20 | BCUT1 | REMOTE CUT LAMP 1 | Hi |
| 3 | 2 | SCUT2 | REMOTE CUT SWITCH 2 | Lo |
| 4 | 21 | BCUT2 | REMOTE CUT LAMP 2 | Hi |
| 5 | 3 | SCUT3 | REMOTE CUT SWITCH 3 | Lo |
| 6 | 22 | BCUT3 | REMOTE CUT LAMP 3 | Hi |
| 7 | 4 | SCUT4 | REMOTE CUT SWITCH 4 | Lo |
| 8 | 23 | BCUT4 | REMOTE CUT LAMP 4 | Hi |
| 9 | 5 | SCUT5 | REMOTE CUT SWITCH 5 | Lo |
| 10 | 24 | BCUT5 | REMOTE CUT LAMP 5 | Hi |
| 11 | 6 | SCUT6 | REMOTE CUT SWITCH 6 | Lo |
| 12 | 25 | BCUT6 | REMOTE CUT LAMP 6 | Hi |
| 13 | 7 | SCUT7 | REMOTE CUT SWITCH 7 | Lo |
| 14 | 26 | BCUT7 | REMOTE CUT LAMP 7 | Hi |
| 15 | 8 | SCUT8 | REMOTE CUT SWITCH 8 | Lo |
| 16 | 27 | BCUT8 | REMOTE CUT LAMP 8 | Hi |
| 17 | 9 | SCUT9 | REMOTE CUT SWITCH 9 | Lo |
| 18 | 28 | BCUT9 | REMOTE CUT LAMP 9 | Hi |
| 19 | 10 | SCUT10 | REMOTE CUT SWITCH 10 | Lo |
| 20 | 29 | BCUT10 | REMOTE CUT LAMP 10 | Hi |
| 21 | 11 | SCUT11 | REMOTE CUT SWITCH 11 | Lo |
| 22 | 30 | BCUT11 | REMOTE CUT LAMP 11 | Hi |
| 23 | 12 | SCUT12 | REMOTE CUT SWITCH 12 | Lo |
| 24 | 31 | BCUT12 | REMOTE CUT LAMP 12 | Hi |
| 25 | 13 | SCUT13 | REMOTE CUT SWITCH 13 | Lo |
| 26 | 32 | BCUT13 | REMOTE CUT LAMP 13 | Hi |
| 27 | 14 | SCUT14 | REMOTE CUT SWITCH 14 | Lo |
| 28 | 33 | BCUT14 | REMOTE CUT LAMP 14 | Hi |
| 29 | 15 | SCUT15 | REMOTE CUT SWITCH 15 | Lo |
| 30 | 34 | BCUT15 | REMOTE CUT LAMP 15 | Hi |
| 31 | 16 | MASCUT | MASTER CUT SWITCH | Lo |
| 32 | 35 | MASCUT | MASTER CUT SWITCH | Lo |
| 33 | 17 | CUT +V | CUT COMMON | +15V |
| 34 | 36 | CUT +V | CUT COMMON | +15V |
| 35 | 18 | | | |
| 36 | 37 | | | |
| 37 | 19 | | | |

注意！ Dサブコネクタの接続はHARDピン番号で接続してください。

取付ビスは#4-40インチビスを使用して下さい

CAUTION! D-Connector for wiring refer to Hard pin number Description.

Mounting screw for D-connector use #4-40 size.

PMS400 SC8016/A MOTHER FRAME “REMOTE UNIT” D25-F(#4-40) CONNECTOR PIN LIST

| Ribbon | Hard | Signal name | Designation | Active |
|--------|------|-------------|------------------------------|--------|
| 1 | 1 | SW COM | SWITCHES COMMON | Lo |
| 2 | 14 | LP COM | LAMPS COMMON | Lo |
| 3 | 2 | SCUT1 | CUT SWITCH 1 | Lo |
| 4 | 15 | BCUT1 | CUE LAMP 1 | Lo |
| 5 | 3 | SCUT2 | CUT SWITCH 2 | Lo |
| 6 | 16 | BCUT2 | CUE LAMP 2 | Lo |
| 7 | 4 | SCUT3 | CUT SWITCH 3 | Lo |
| 8 | 17 | BCUT3 | CUE LAMP 3 | Lo |
| 9 | 5 | SCUT4 | CUT SWITCH 4 | Lo |
| 10 | 18 | BCUT4 | CUE LAMP 4 | Lo |
| 11 | 6 | SCUT5 | CUT SWITCH 5 | Lo |
| 12 | 19 | BCUT5 | CUE LAMP 5 | Lo |
| 13 | 7 | SCUT6 | CUT SWITCH 6 | Lo |
| 14 | 20 | BCUT6 | CUE LAMP 6 | Lo |
| 15 | 8 | SCUT7 | CUT SWITCH 7 | Lo |
| 16 | 21 | BCUT7 | CUE LAMP 7 | Lo |
| 17 | 9 | MCUT | MASTER CUT SWITCH | Lo |
| 18 | 22 | MCUT | MASTER CUT SWITCH | Lo |
| 19 | 10 | | | |
| 20 | 23 | | | |
| 21 | 11 | | | |
| 22 | 24 | | | |
| 23 | 12 | CUT +V | CUT +V (not require connect) | +15V |
| 24 | 25 | CUT +V | CUT +V (not require connect) | +15V |
| 25 | 13 | 0V | 0V (not require connect) | |

注意！ Dサブコネクタの接続はHARDピン番号で接続してください。

取付ビスは#4-40インチビスを使用して下さい

CAUTION! D-Connector for wiring refer to Hard pin number Description.

Mounting screw for D-connector use #4-40 size.