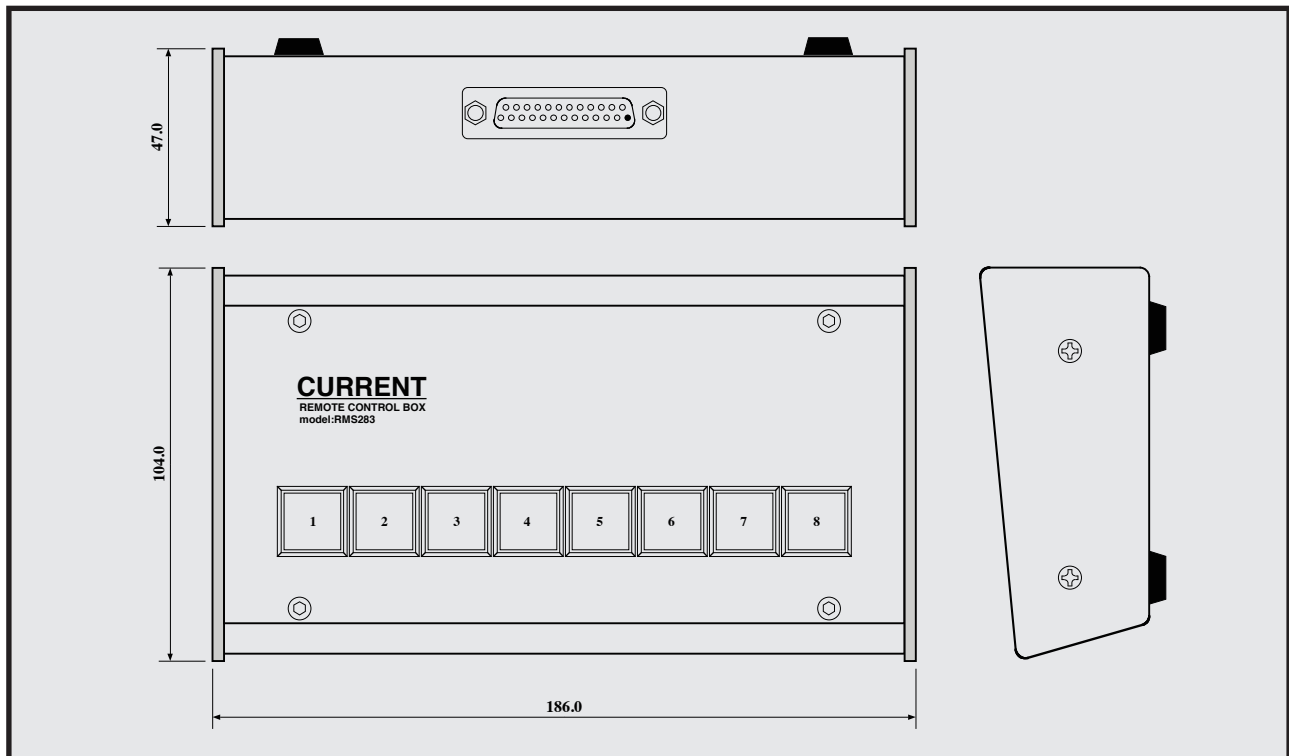


CURRENT PRODUCTS model:RMS283

REMOTE CONTROL BOX



8 button remote boxes

It is most suitable for control of every kind

RMS283 is a general remote box of 8 buttons. It is most suitable for remote of every equipment by circuit configuration of the switches and lamps common way.

"Tarry voltage"

The voltage of the tarry of RMS283 supports to 5V - 24V by setting by internal resistance, and, please specify it at the time of an order.

"Button name"

It is easily possible just to change a film, and the name of the control button is available as various remote boxes except TAPE, a CD, an MD, the DAT.

REMOTE DSUB25-M

01 SW COM 0V	14 LP COM +V
02 SW 1	15 LP 1
03 SW 2	16 LP 2
04 SW 3	17 LP 3
05 SW 4	18 LP 4
06 SW 5	19 LP 5
07 SW 6	20 LP 6
08 SW 7	21 LP 7
09 SW 8	22 LP 8
10	23
11	24
12	25
13	

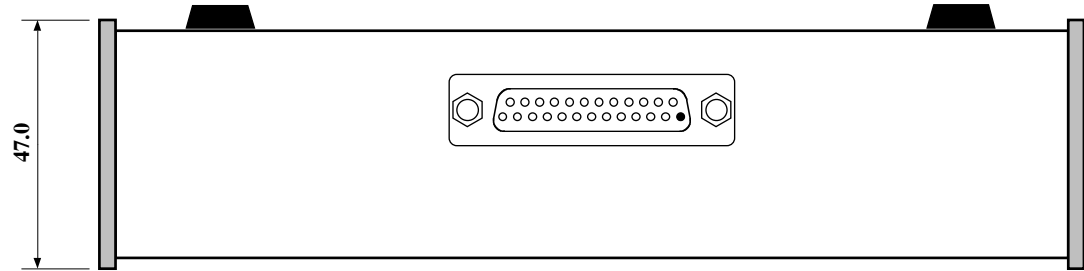
REMOTE DSUB25-M

01 SW COM 0V	14 LP COM +V
02 SW 1	15 LP 1
03 SW 2	16 LP 2
04 SW 3	17 LP 3
05 SW 4	18 LP 4
06 SW 5	19 LP 5
07 SW 6	20 LP 6
08 SW 7	21 LP 7
09 SW 8	22 LP 8
10	23
11	24
12	25
13	

SPECIFICATIONS

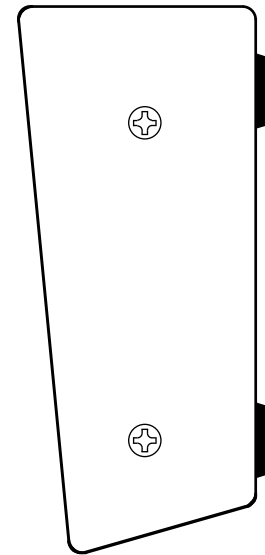
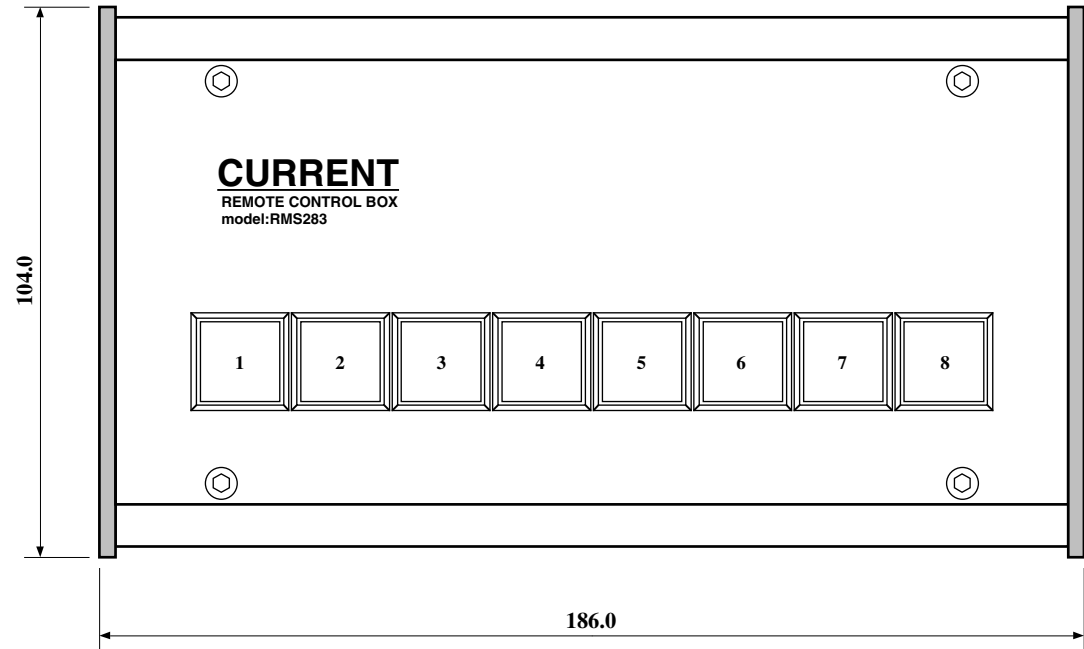
- ♣ **BUTTON:** MOMENTARY
- ♣ **CIRCUIT CONFIRMATION:** SWITCHES & LAMPS COMMON
- ♣ **SWITCH RATING:** 24VDC 50mA
- ♣ **TALLY VOLTAGE:** 5V to 24VDC
- ♣ **CONNECTOR:** Dsub25-M (#4-40)
- ♣ **DIMENSIONS:** 166Wx47Hx104D 1kg

Remote box	RMS283	¥96,000
Remote cable 10m	RMS283W10	¥32,000
Remote box	RMS283W05	¥24,000
accessory : None		



REMOTE DSUB25-M (#4-40)

01 SW COM 0V	14 LP COM +V
02 SW 1	15 LP 1
03 SW 2	16 LP 2
04 SW 3	17 LP 3
05 SW 4	18 LP 4
06 SW 5	19 LP 5
07 SW 6	20 LP 6
08 SW 7	21 LP 7
09 SW 8	22 LP 8
10	23
11	24
12	25
13	



CONNECTOR:D25-M(#4-40)

(c)CURRENT,INC.	REMOTE CONTROL BOX RMS283	May.2003
H.ICHIHASHI	PANEL DIAGRAM	RMS283-D

RMS283 "REMOTE" D25-M(#4-40) Connector Pin List

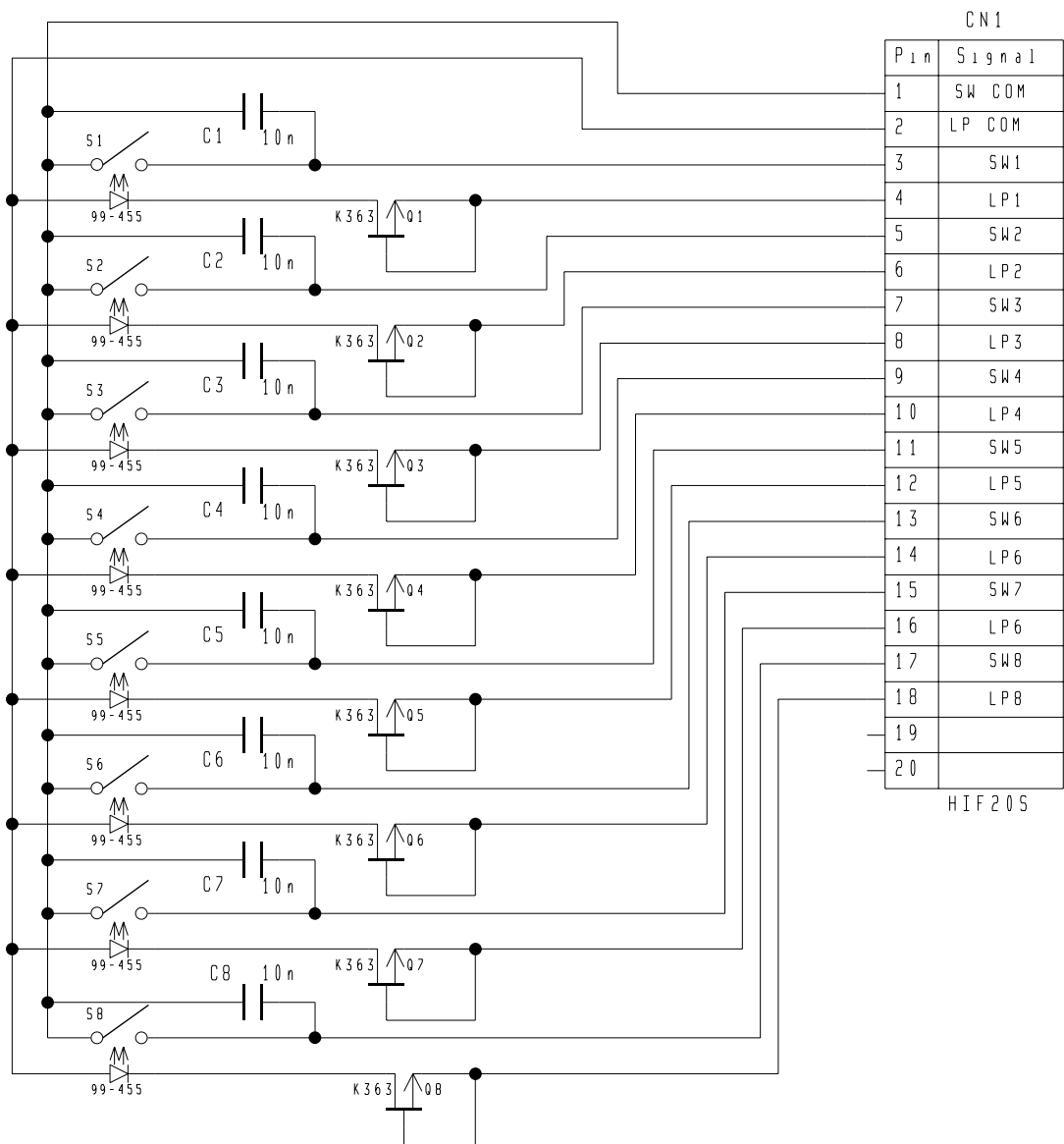
Ribbon	Hard	Signal name	Designation	Active
1	1	SW COM	SWITCHES COMMON	0V
2	14	LP COM	LAMPS COMMON	+5V-+24V
3	2	SW1	SWITCH 1	Lo
4	15	LP1	TALLY 1	Lo
5	3	SW2	SWITCH 2	Lo
6	16	LP2	TALLY 2	Lo
7	4	SW3	SWITCH 3	Lo
8	17	LP3	TALLY 3	Lo
9	5	SW4	SWITCH 4	Lo
10	18	LP4	TALLY 4	Lo
11	6	SW5	SWITCH 5	Lo
12	19	LP5	TALLY 5	Lo
13	7	SW6	SWITCH 6	Lo
14	20	LP6	TALLY 6	Lo
15	8	SW7	SWITCH 7	Lo
16	21	LP7	TALLY 7	Lo
17	9	SW8	SWITCH 8	Lo
18	22	LP8	TALLY 8	Lo
19	10			
20	23			
21	11			
22	24			
23	12			
24	25			
25	13			

注意！

Dサブコネクタの接続はHardピン番号で接続してください。

取付ビスは# 4 - 40インチビスを使用して下さい

CAUTION! D-Connector for wiring refer to Hard pin number Description.



CN1	
Pin	Signal
1	SW COM
2	LP COM
3	SW1
4	LP1
5	SW2
6	LP2
7	SW3
8	LP3
9	SW4
10	LP4
11	SW5
12	LP5
13	SW6
14	LP6
15	SW7
16	LP6
17	SW8
18	LP8
19	
20	

HIF205

LED for S1-8 are TLYE262A
 Q1-8 CRD E-562 were 2SK363
 C1-8 unused were 10n

(c)CURRENT INC.	CSP310 SWITCH PANEL	DEC 96
H. ICHIHASHI	CP.1.310.102	1 OF 1