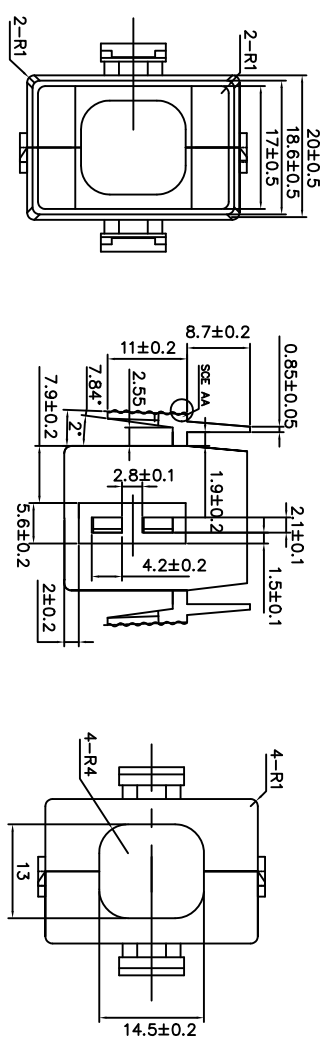


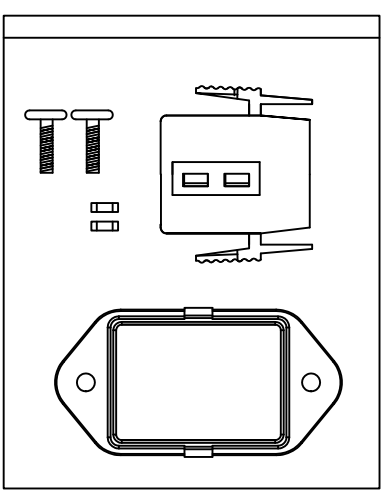
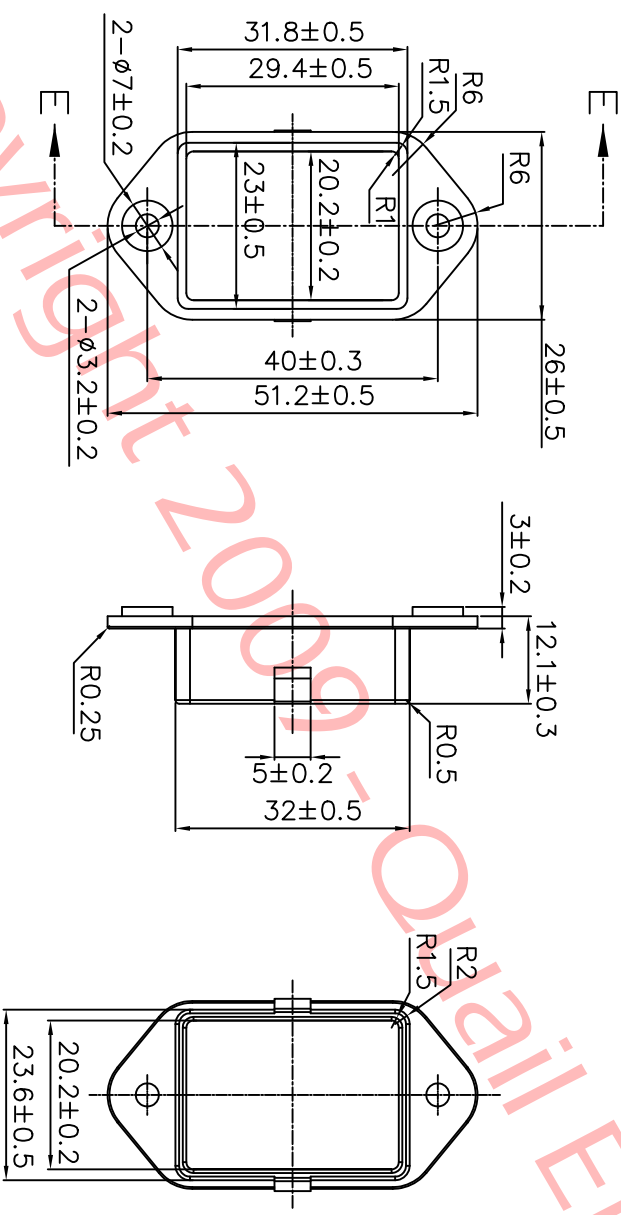
ROHS (2002/95/EC) COMPLIANT

CUSTOMER: P/N: SAFE.LOCK-C13B REV. APPROVED BY:

REVISIONS			
REV.	DESCRIPTION	DATE	APPVD.
Δ			
Δ			
Δ			
Δ			
Δ			




NOTES:



PRODUCT SPECIFICATION :

- (1) COLOR BLACK
- (2) TITLE WS-JK-002+OR-002

THE INFORMATION CONTAINED HEREIN IS PROPRIETARY TO QUAL ELECTRONICS, INC. ANY USE OR DISCLOSURE OF THIS INFORMATION, EXCEPT FOR THE EXCLUSIVE BENEFIT OF QUAL ELECTRONICS, INC. IS PROHIBITED.

ENGINEER:	SIGNATURE	 <p>QUAIL ELECTRONICS, INC. http://www.quail.com</p>
MANAGER:		
CHECKED BY:		
DRAWN BY:		
PRODUCT NO.:	DATE: 2006.7.10	
UNIT: mm	SHEET: 1 OF 1	REV.
DWG NO: 0096-2301		A