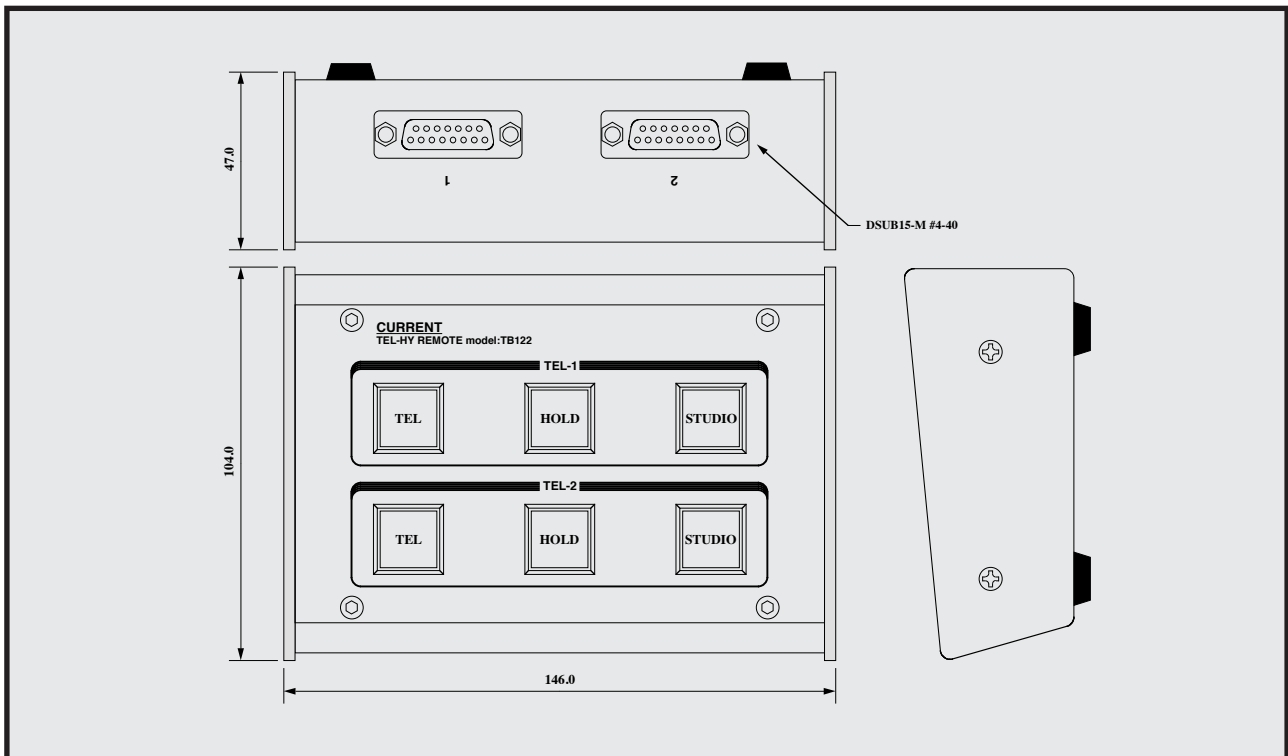


CURRENT PRODUCTS model:TB120/122

TEL-HY REMOTE



Conform STUDER DSP hybrid
 2 TEL-HY remote
 Self illuminate switch
 A compact

As for TB120, TB122, as for one TB120, two remote is possible in TB122 in a remote box for STUDER DSP telephone hybrid.

"Control"

As for the control switch, TEL like the main frame, HOLD, a switch of STUDIO equal it for 2 of them.

Can be connected in one-to-one connection with the Dsub15.

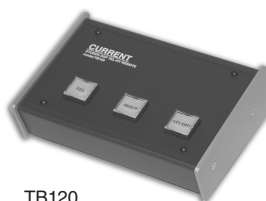
In addition, illuminated switches can be easily interchanged name.

"Others"

It can also be used as a general-purpose remote switch box common, so common lamp type.

Also, please contact us so can be mounted to a panel, such as a console.

DSUB15-M	
01	09
02	10
03	11
04 +5V	12 +5V
05 0V	13 B-TEL
06 B-HOLD	14 B-STUDIO
07 S-STUDIO	15 S-HOLD
08 S-TEL	

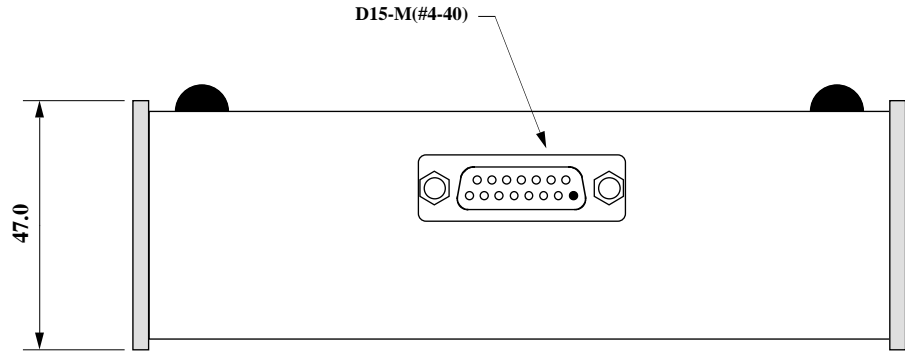


TB120

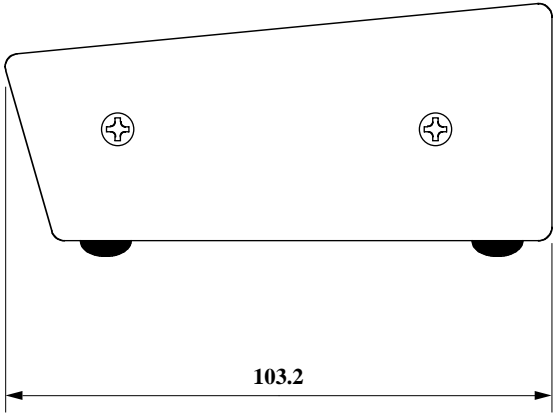
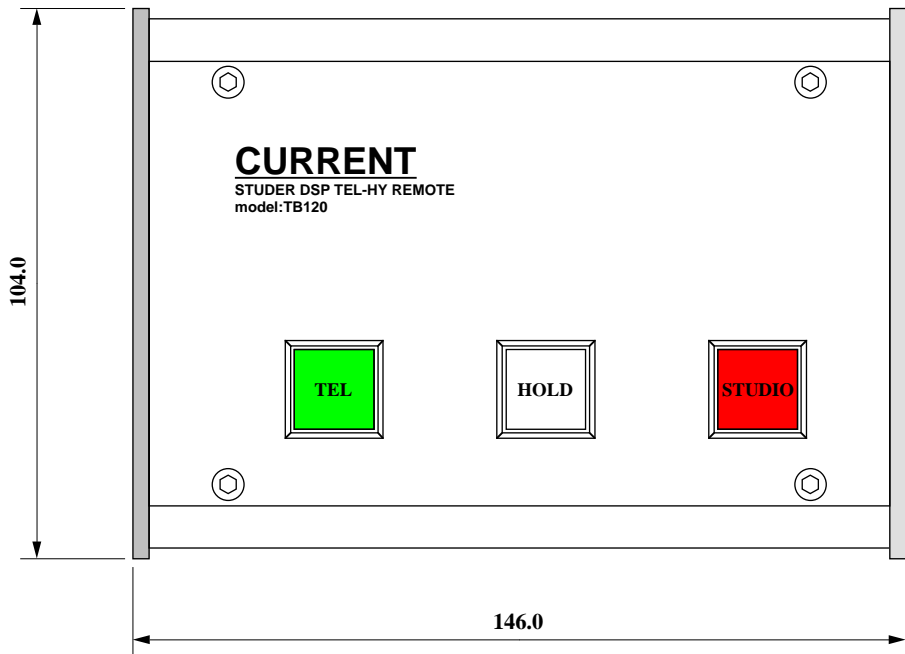
SPECIFICATIONS

- CONTROL: TEL, HOLD, STUDIO
- CONNECTOR: D-15M (#4-40)
- DIMENSIONS: 140Wx47Hx104D, 0.5kg

Hybrid controller	TB120	¥80,000
Hybrid controller	TB122	¥96,000
Remote cable	TB120W05	¥32,000
accessory : None		

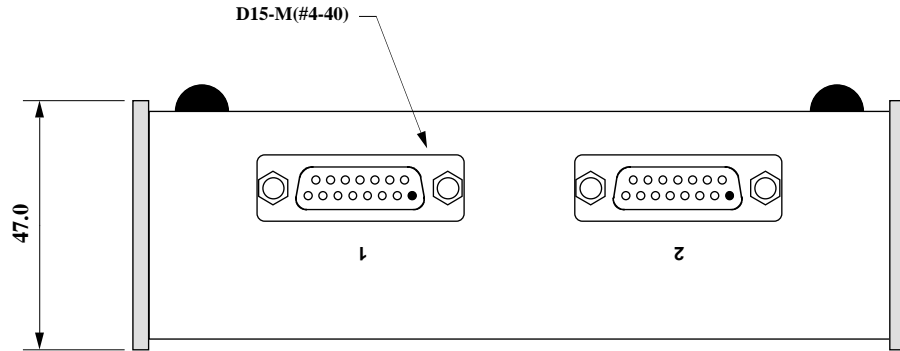


Dsub15-M #4-40	
01	09
02	10
03	11
04 +5V	12 +5V
05 0V	13 B-TEL
06 B-HOLD	14 B-STUDIO
07 S-STUDIO	15 S-HOLD
08 S-TEL	

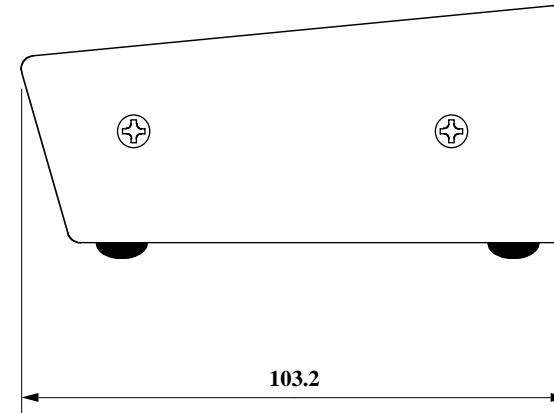
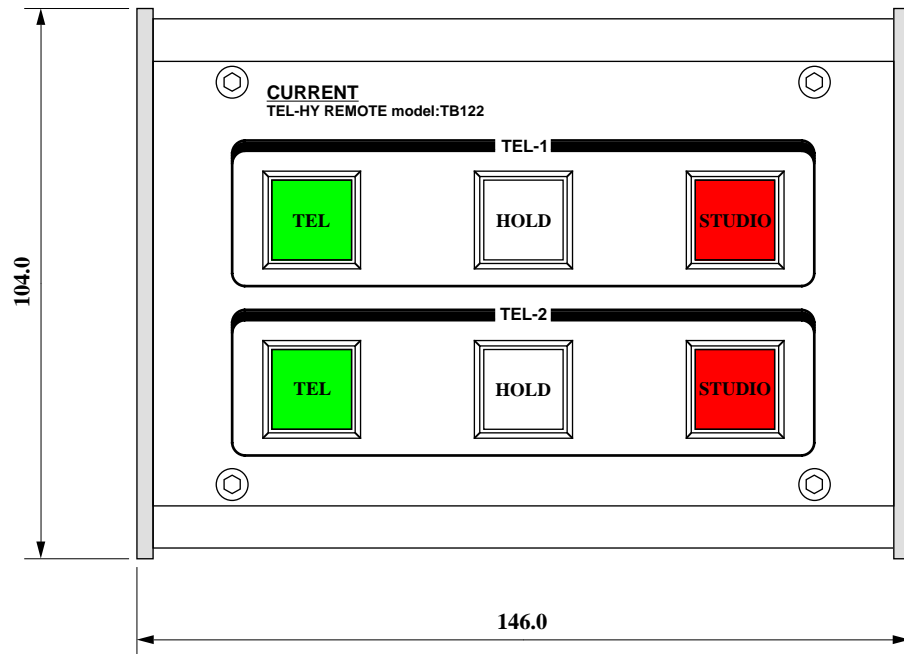


Mar.2007

(c)CURRENT,INC.	STUDER DSP TEL-HY REMOTE TB120	Feb.1996
H.ICHIHASHI	PANEL DIAGRAM	TB120-D



Dsub15-M #4-40	
01	09
02	10
03	11
04 +5V	12 +5V
05 0V	13 B-TEL
06 B-HOLD	14 B-STUDIO
07 S-STUDIO	15 S-HOLD
08 S-TEL	



Oct.2005

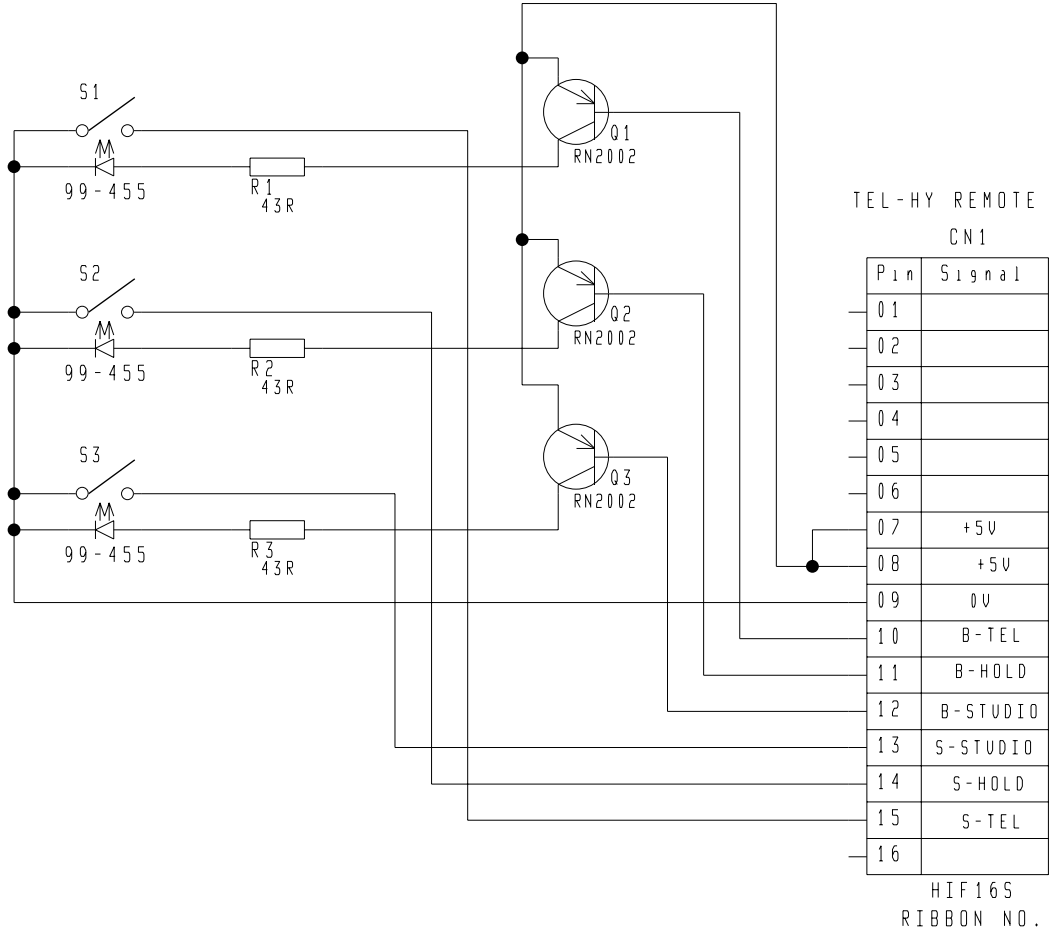
(c)CURRENT,INC.	STUDER DSP TEL-HY REMOTE TB122	Feb.1997
H.ICHIHASHI	PANEL DIAGRAM	TB122-D

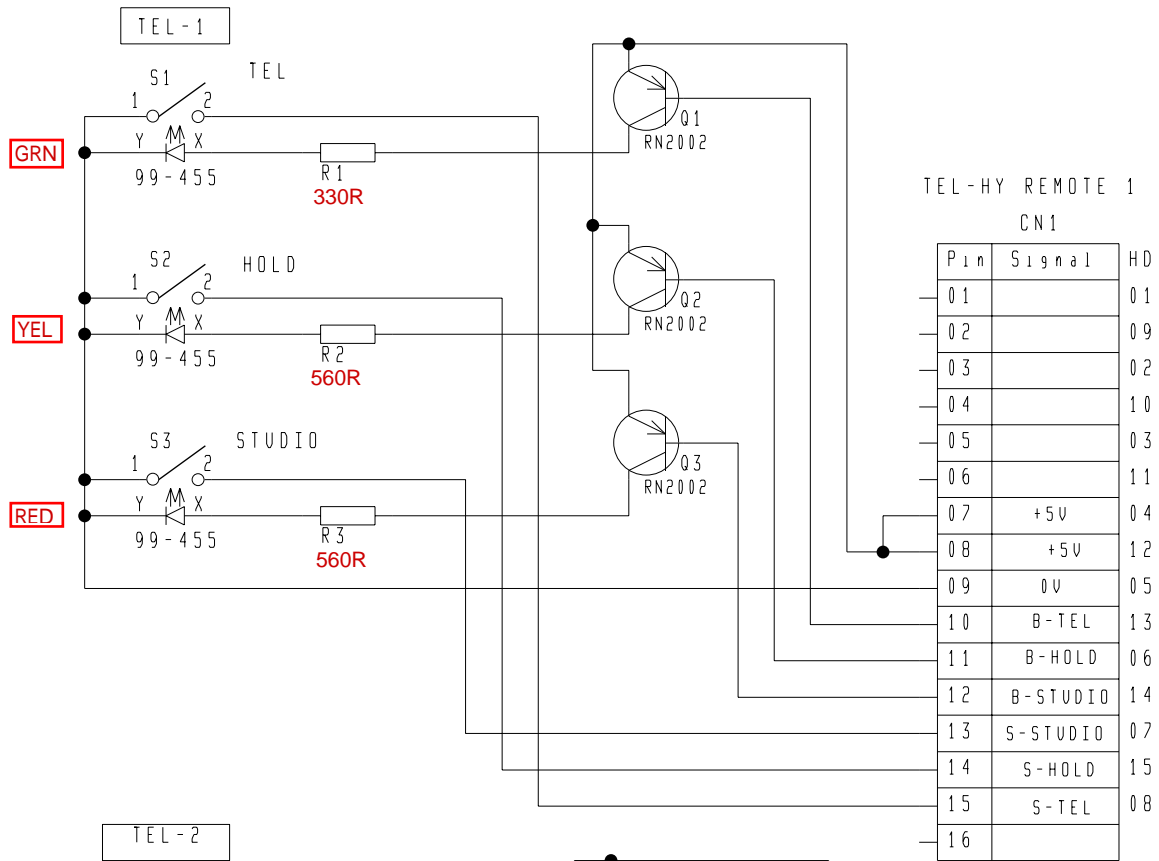
"TB120/122" Connector Pin List

Ribbon	Hard	Signal name	Designation	Active
1	1			
2	9			
3	2			
4	10			
5	3			
6	11			
7	4	+5V	LAMPS COMMON	+5V
8	12	+5V	LAMPS COMMON	+5V
9	5	0V	SWITCHES COMMON	0V
10	13	B-TEL	TEL LAMP	Lo
11	6	B-HOLD	HOLD LAMP	Lo
12	14	B-STUDIO	STUDIO LAMP	Lo
13	7	S-STUDIO	STUDIO SWITCH	Lo
14	15	S-HOLD	HOLD SWITCH	Lo
15	8	S-TEL	TEL SWITCH	Lo

注意！ Dサブコネクタの接続はHARDピン番号で接続してください。取付ビスは#4-40インチビスを使用して下さい。

CAUTION! D-Connector for wiring refer toHard pin number Description. Mounting screw for D-connector use #4-40 size.

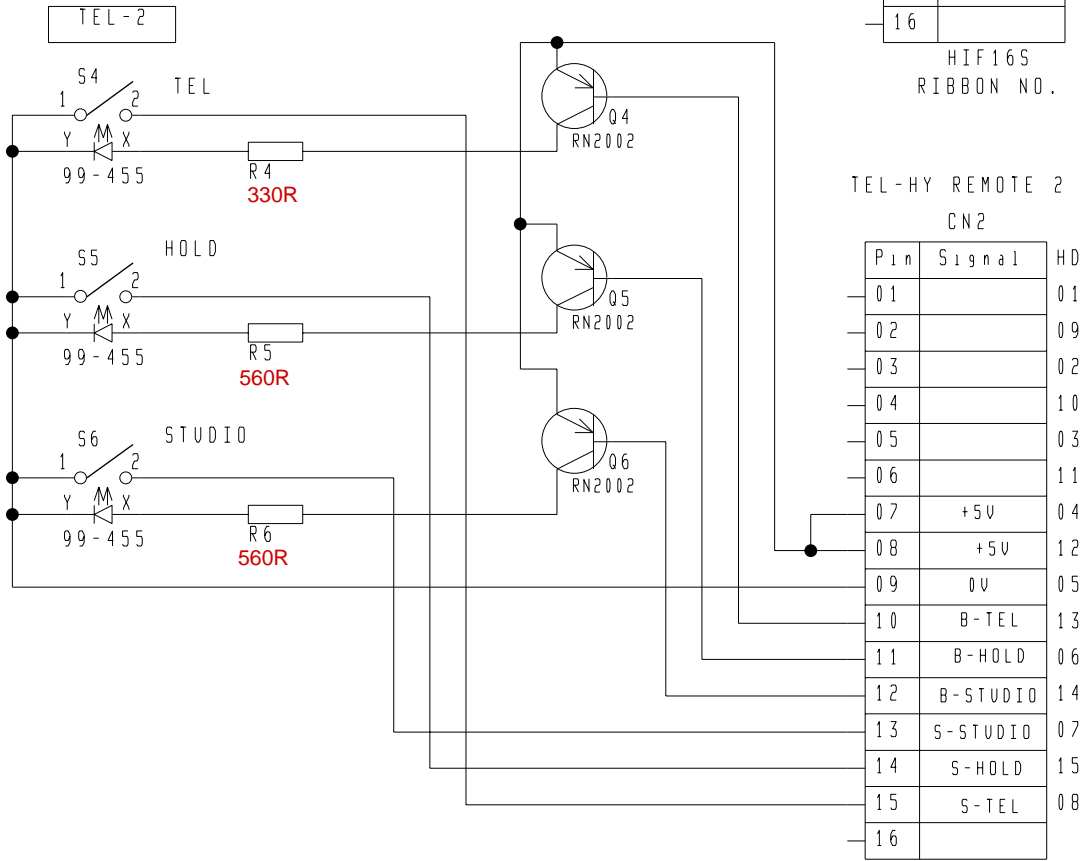




TEL-HY REMOTE 1
CN1

Pin	Signal	HD
01		01
02		09
03		02
04		10
05		03
06		11
07	+5V	04
08	+5V	12
09	0V	05
10	B-TEL	13
11	B-HOLD	06
12	B-STUDIO	14
13	S-STUDIO	07
14	S-HOLD	15
15	S-TEL	08
16		

HIF16S
RIBBON NO.



TEL-HY REMOTE 2
CN2

Pin	Signal	HD
01		01
02		09
03		02
04		10
05		03
06		11
07	+5V	04
08	+5V	12
09	0V	05
10	B-TEL	13
11	B-HOLD	06
12	B-STUDIO	14
13	S-STUDIO	07
14	S-HOLD	15
15	S-TEL	08
16		

HIF16S
RIBBON NO.