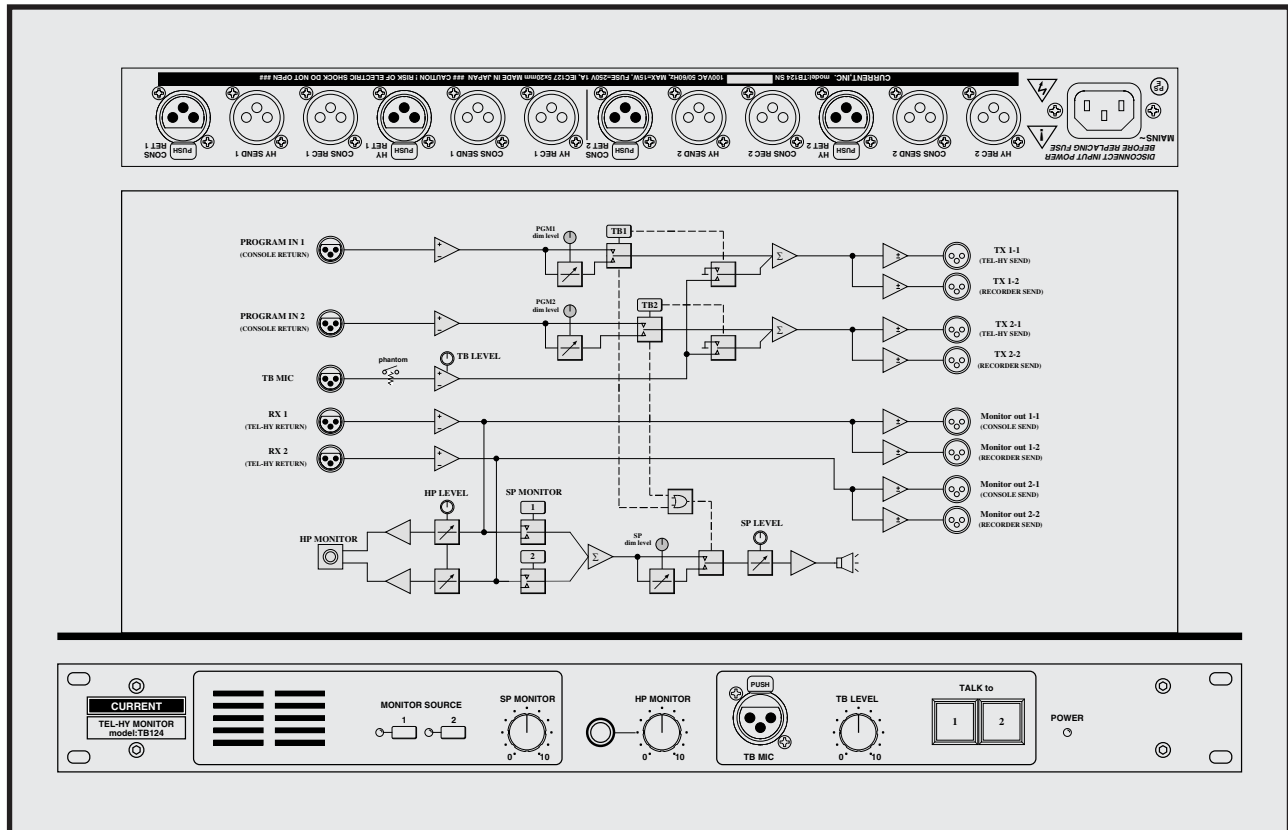


# CURRENT PRODUCTS model:TB124

## TALKBACK SYSTEM



Bidirectional talkback system  
 Speaker monitor  
 Headphone monitor  
 With REC out  
 Telephone hybrid line monitor  
 19 inches 1U size

**TB124 is a bidirectional talkback system. Talkback is made for the destination of 2 systems individually and it chooses each return and can monitor it with a built-in speaker and headphone. It can apply it to the monitor for the telephone hybrid system.**

### "TB microphone"

It can supply the phantom power supply of +12V for condenser microphones to XLR of the front panel. (factory ON)  
 In addition, the goose neck microphone that the operability is good with an option is available. (approximately 300mm)

### "TX (console to TEL)"

When it uses it by a telephone hybrid system, the signal sent by a console is sent to the telephone hybrid and is output to REC out. In addition, DIM works to the main line in the talkback and it mixes a talkback signal and outputs it. 2 TEL lines can do the talkback independently. In addition, microphone preamplifier is built in it for talkback input.

### "RX (monitor) "

The return from telephone hybrid is sent to a console and is output in REC out.  
 It can confirm the monitor signal with a speaker and headphone and is

including the independent volume each. RX2 is connected to RX1 in L of the headphone. In addition, with the speaker monitor, it mixes 1 or 2 or both and can monitor it.

### "Others"

Please refer about changing the talk switch to the lock-type switch and with guard.



## SPECIFICATIONS

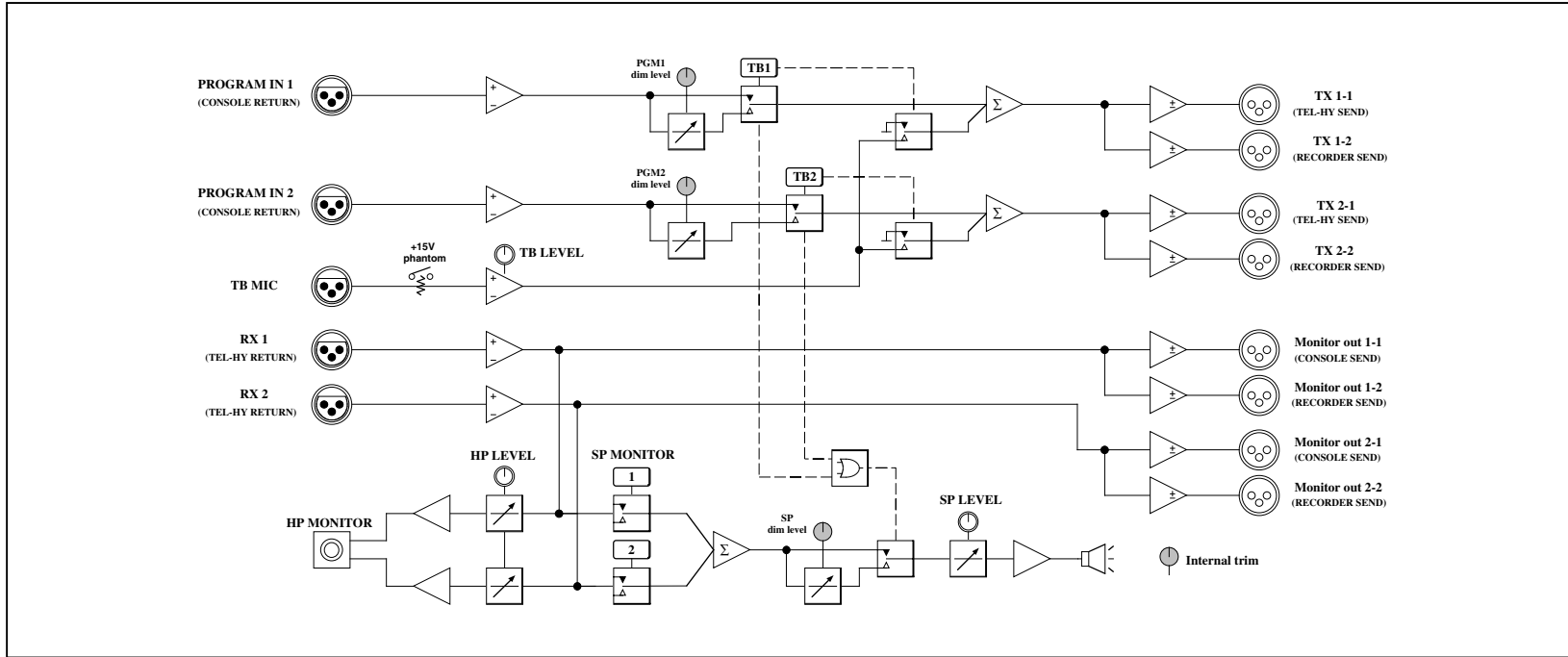
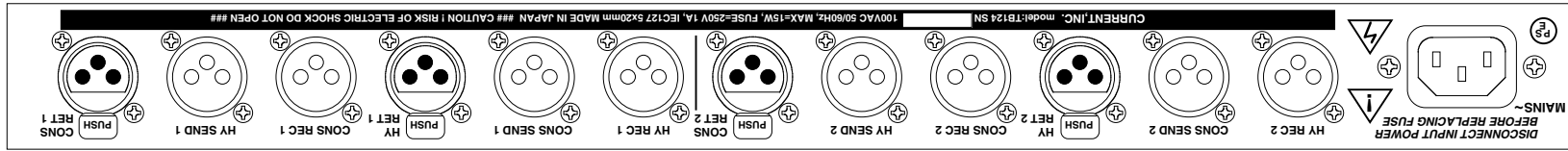
- 🔊 **CONSOLE RET:** XLR3-F, +4dBu
- 🔊 **HY SEND:** XLR3-M, +4dBu
- 🔊 **CONS REC:** XLR3-M, +4dBu
- 🔊 **HY RET:** XLR3-F, +4dBu
- 🔊 **CONS SEND:** XLR3-M, +4dBu
- 🔊 **HY REC:** XLR3-M, +4dBu
- 🔊 **Frequency Response:** 20 to 20kHz ±0.1dB
- 🔊 **THD:** < 0.01%
- 🔊 **Noise:** < -90dBu
- 🔊 **Headphones:** >50Ω, max=500mW
- 🔊 **Mains:** 100VAC 50/60Hz, 15W
- 🔊 **Dimensions:** 482Wx44Hx303D 4kg

Talkback unit	TB124	¥298,000
Goose neck mic	PRO49Q	¥28,000
accessory : AC cable		

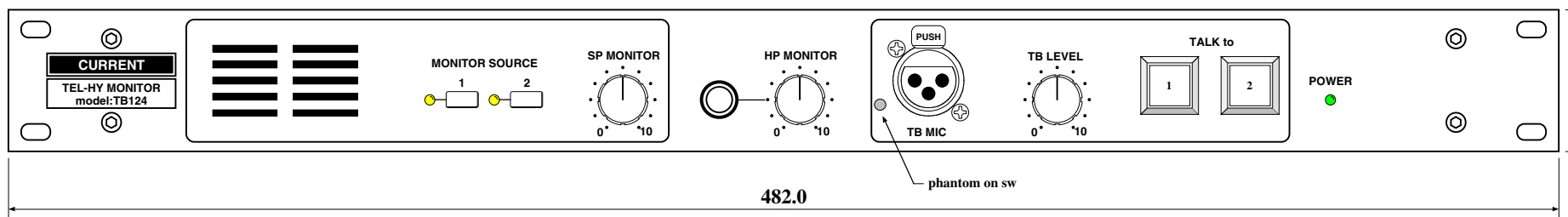
The specifications are subject to change without notice.  
 2-26-11 AKATSUTSUMI, SETAGAYA-KU, TOKYO, 156-0044 JAPAN

MONITOR SYSTEM  
 HEADPHONES AMP  
 CUE SYSTEM  
 COMMUNICATION  
 TB CONSOLE SYSTEM  
 MATRIX AMP  
 AUDIO ROUTER  
 AUDIO VIDEO  
 SWITCHER  
 SYSTEM SWITCHER  
 EMERGENCY  
 AUDIO VIDEO  
 DISTRIBUTOR  
 METER SYSTEM  
 ANALOG, DIGITAL  
 PREAMP MIXER  
 LEVEL UNIT  
 DIGITAL AUDIO  
 FADER UNIT  
 AUTO FADER  
 TALLY FADER  
 CLOCK TIMER  
 EVENT SYSTEM  
 SPECIAL PRODUCTS  
 ETC.

PGM1 TX1-1 TX1-2 RX1 MON1-1 MON1-2 PGM2 TX2-1 TX2-2 RX2 MON2-1 MON2-2



302.6



(c)CURRENT,INC.	TEL-HY MONITOR TB124	Apr.2015
H.ICHIHASHI	PANEL DIAGRAM	TB124-D2015