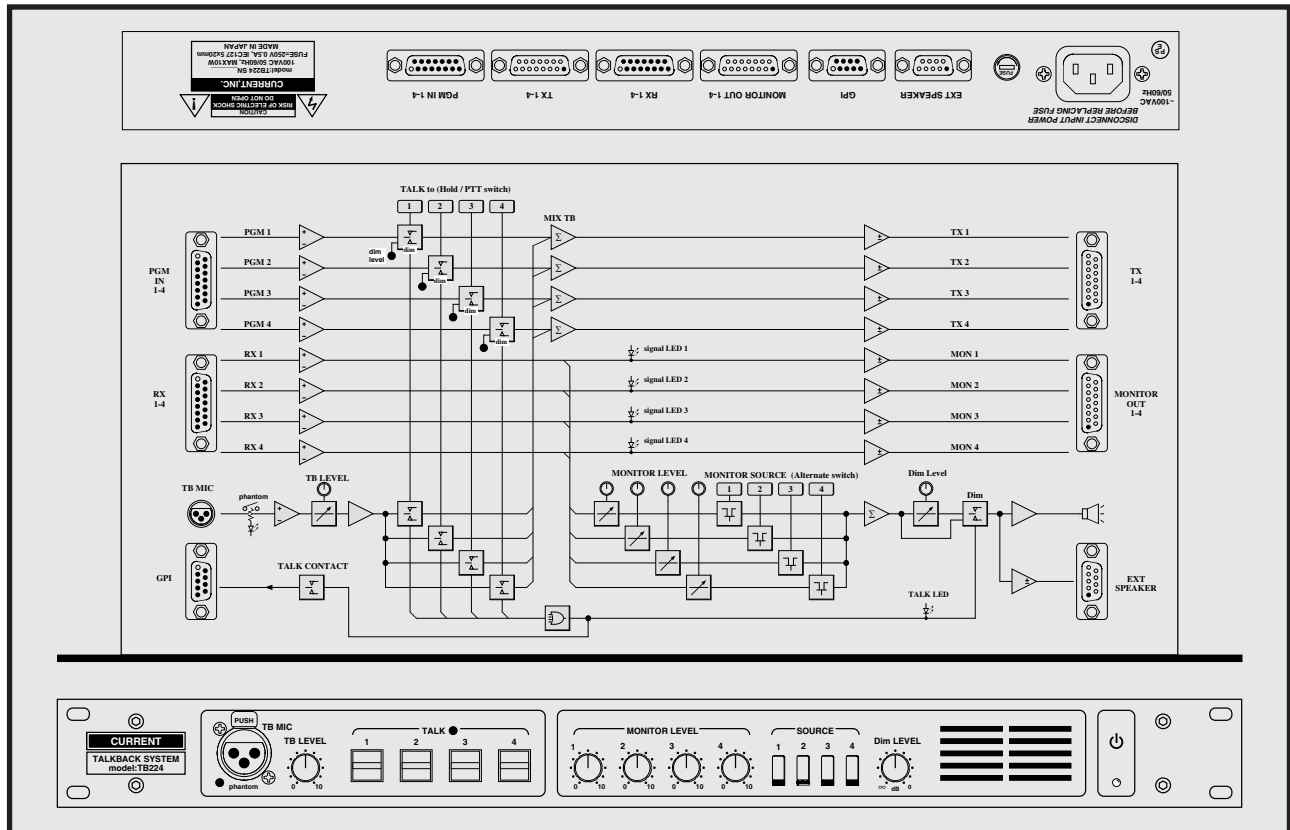


CURRENT PRODUCTS model:TB224

TALKBACK SYSTEM



- 4 bidirectional talkback systems
- Speaker monitor
- RX signal indicator
- Variable monitor
- Monitor DIM level
- Output for external monitors
- 19 inches 1U size

TB224 is 4 bidirectional route talkback systems. It can do talkback for destination individually and it chooses each return and can monitor it with a built-in speaker.

"TX"

It operates the talkback with a paddle locker switch. It makes Hold when it raises a lever, and it is with a PTT working when it lowers it. The microphone amplifier of the compressor built-in allows the communication that the clarity is high. TALK lamp turns on in the TB, and DIM works to a monitor speaker. It is possible for a variable to level TB with a knob of the speaker side. In addition, with internal switch setting, it can supply TB microphone with the phantom power supply of +15V, too. (at the time of the shipment ON)

"RX"

1-4 sources mix the channel which it chose and can monitor it with a speaker. When it is chosen, the dual color LED of the selecting switch turns on with green and turns on with red when it detects an input signal. It is in this way superior in visibility because it emits light in orange when it detects a signal during choice. In addition, it can set each source level individually.

"External monitor"

The signal of the 'EXT SPEAKER' port is the same as that of built-in speaker and can connect an external speaker to this port.

"GPI"

The relay contact which is closed when one of 4 TALK switches is ON to a GPI

port is output and can use this function for control of the external equipment.

"TB microphone"

It can supply the phantom power of +15V for condenser microphones to XLR of the front panel. (factory ON)
In addition, the goose neck microphone that it is optional, and the operability is good can conjugate. (approximately 300mm)
The optional goose neck microphone (approximately 300mm) also available.



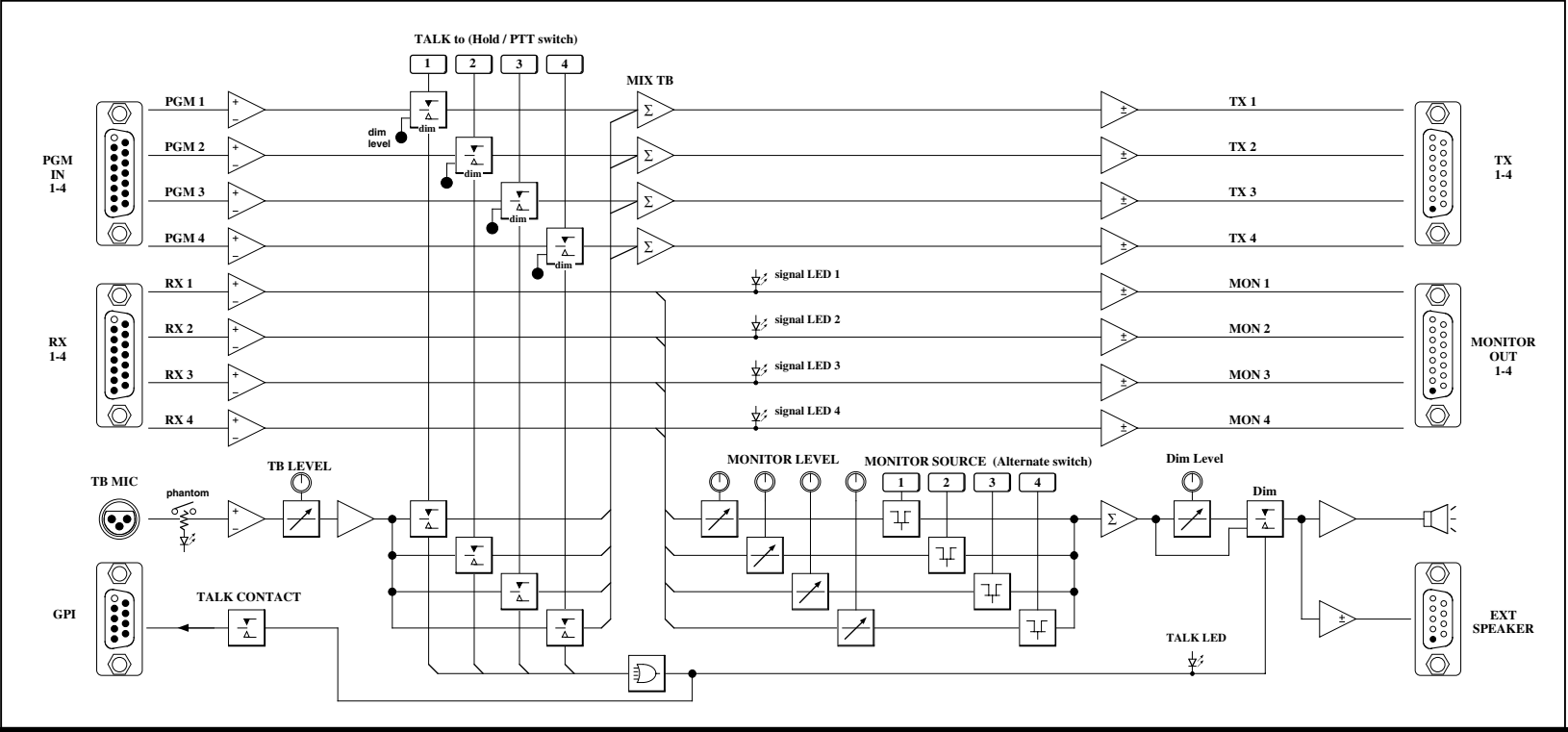
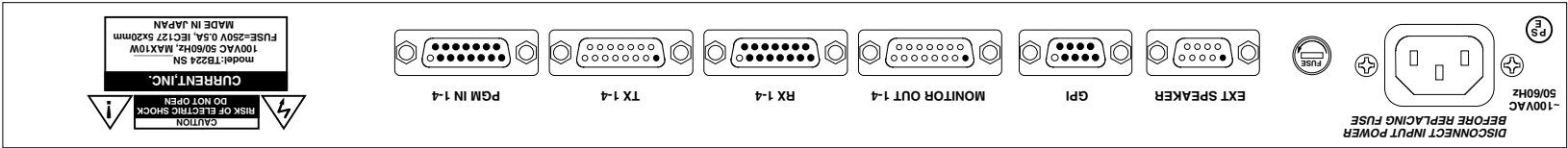
SPECIFICATIONS

- 🍏 PGM INPUTS 1-4: balanced 47kΩ, Dsub15-F (#4-40)
- 🍏 TX 1-4: balanced 50Ω, Dsub15-M (#4-40)
- 🍏 RX 1-4: balanced 47kΩ, Dsub15-F (#4-40)
- 🍏 MON OUT 1-4: balanced 50Ω, Dsub15-M (#4-40)
- 🍏 REFERENCE LEVEL: +4dBu, max=+24dBu
- 🍏 FREQ.RESPONSE: 20 to 20kHz ±0.5dB
- 🍏 THD: <0.01% at 1kHz ref.level
- 🍏 GPI: TALK contact max=100mA, Dsub9-F (#4-40)
- 🍏 EXT SPEAKER: balanced 50Ω, Dsub9-M (#4-40)
- 🍏 DIMENSIONS: 482Wx444Hx303D 4kg

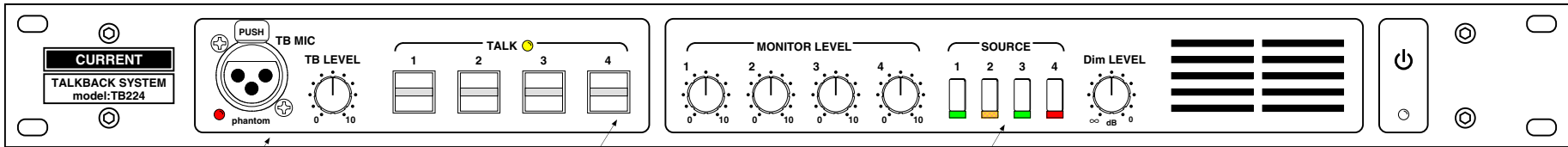
Talkback system	TB224	¥480,000
Goose neck mic	PRO49Q	¥28,000
	accessory : AC cable	

The specifications are subject to change without notice.
2-26-11 AKATSUTSUMI, SETAGAYA-KU, TOKYO, 156-0044 JAPAN

MONITOR SYSTEM
HEADPHONES AMP
CUE SYSTEM
COMMUNICATION
TB GOOSE SYSTEM
MATRIX AMP
AUDIO ROUTER
AUDIO VIDEO
SWITCHER
SYSTEM SWITCHER
EMERGENCY
AUDIO VIDEO
DISTRIBUTOR
METER SYSTEM
ANALOG, DIGITAL
PREAMP MIXER
LEVEL UNIT
DIGITAL AUDIO
FADER UNIT
AUTO FADER
TALLY FADER
CLOCK TIMER
EVENT SYSTEM
SPECIAL PRODUCTS
ETC.



302.6



44.0

+15V mic power with internal switch

↑ HOLD, ↓ Press to Talk

Select & Signal Indicator (Dual Color Green+Red)

482.0

(c)CURRENT, INC.	TB224 TALKBACK SYSTEM	Dec.2007
H.ICHIMASHI	PANEL DIAGRAM	TB224-D

TB224 Connector Pin List

TB224 "PGM IN 1-4" D15-F(#4-40) Connector				
Ribbon	Hard	Signal name	Designation	Active
1	1	PGM 1 +	PGM INPUT 1 +	
2	9	PGM 1 -	PGM INPUT 1 -	
3	2	PGM 1 GND	PGM INPUT 1 GND	
4	10	PGM 2 +	PGM INPUT 2 +	
5	3	PGM 2 -	PGM INPUT 2 -	
6	11	PGM 2 GND	PGM INPUT 2 GND	
7	4	PGM 3 +	PGM INPUT 3 +	
8	12	PGM 3 -	PGM INPUT 3 -	
9	5	PGM 3 GND	PGM INPUT 3 GND	
10	13	PGM 4+	PGM INPUT 4 +	
11	6	PGM 4 -	PGM INPUT 4 -	
12	14	PGM 4 GND	PGM INPUT 4 GND	
13	7			
14	15			
15	8			

TB224 "TX 1-4" D15-M(#4-40) Connector				
Ribbon	Hard	Signal name	Designation	Active
1	1	TX 1 +	TX 1 +	
2	9	TX 1 -	TX 1 -	
3	2	TX 1 GND	TX 1 GND	
4	10	TX 2 +	TX 2 +	
5	3	TX 2 -	TX 2 -	
6	11	TX 2 GND	TX 2 GND	
7	4	TX 3 +	TX 3 +	
8	12	TX 3 -	TX 3 -	
9	5	TX 3 GND	TX 3 GND	
10	13	TX 4+	TX 4 +	
11	6	TX 4 -	TX 4 -	
12	14	TX 4 GND	TX 4 GND	
13	7			
14	15			
15	8			

注意！ Dサブコネクタの接続はHARDピン番号で接続してください。取付は#4-40インチビスです。

CAUTION! D-Connector for wiring refer to Hard pin number Description. Mounting screw for D-connector use #4-40 size.

TB224 Connector Pin List

TB224 "RX 1-4" D15-F(#4-40) Connector

Ribbon	Hard	Signal name	Designation	Active
1	1	RX 1 +	RX 1 +	
2	9	RX 1 -	RX 1 -	
3	2	RX 1 GND	RX 1 GND	
4	10	RX 2 +	RX 2 +	
5	3	RX 2 -	RX 2 -	
6	11	RX 2 GND	RX 2 GND	
7	4	RX 3 +	RX 3 +	
8	12	RX 3 -	RX 3 -	
9	5	RX 3 GND	RX 3 GND	
10	13	RX 4+	RX 4 +	
11	6	RX 4 -	RX 4 -	
12	14	RX 4 GND	RX 4 GND	
13	7			
14	15			
15	8			

TB224 "MONITOR OUT 1-4" D15-M(#4-40) Connector

Ribbon	Hard	Signal name	Designation	Active
1	1	MON 1 +	MONITOR OUTPUT 1 +	
2	9	MON 1 -	MONITOR OUTPUT 1 -	
3	2	MON 1 GND	MONITOR OUTPUT 1 GND	
4	10	MON 2 +	MONITOR OUTPUT 2 +	
5	3	MON 2 -	MONITOR OUTPUT 2 -	
6	11	MON 2 GND	MONITOR OUTPUT 2 GND	
7	4	MON 3 +	MONITOR OUTPUT 3 +	
8	12	MON 3 -	MONITOR OUTPUT 3 -	
9	5	MON 3 GND	MONITOR OUTPUT 3 GND	
10	13	MON 4+	MONITOR OUTPUT 4 +	
11	6	MON 4 -	MONITOR OUTPUT 4 -	
12	14	MON 4 GND	MONITOR OUTPUT 4 GND	
13	7			
14	15			
15	8			

注意！ Dサブコネクタの接続はHARDピン番号で接続してください。取付は#4 - 40インチビスです。

CAUTION! D-Connector for wiring refer to Hard pin number Description. Mounting screw for D-connector use #4-40 size.

TB224 Connector Pin List

TB224 "GPI" D9-F(#4-40) Connector

Ribbon	Hard	Signal name	Designation	Active
1	1	Y-TALK_a	TALK RELAY CONTACT a	
2	6	Y-TALK_b	TALK RELAY CONTACT b	
3	2			
4	7			
5	3			
6	8			
7	4			
8	9			
9	5			

TB224 "EXT SPEAKER" D9-M(#4-40) Connector

Ribbon	Hard	Signal name	Designation	Active
1	1	EXT SP +	EXT MONITOR SPEAKER +	
2	6	EXT SP -	EXT MONITOR SPEAKER -	
3	2	EXT SP GND	EXT MONITOR SPEAKER GND	
4	7			
5	3			
6	8			
7	4			
8	9			
9	5			

注意！ Dサブコネクタの接続はHARDピン番号で接続してください。取付は#4 - 40インチビスです。

CAUTION! D-Connector for wiring refer to Hard pin number Description. Mounting screw for D-connector use #4-40 size.