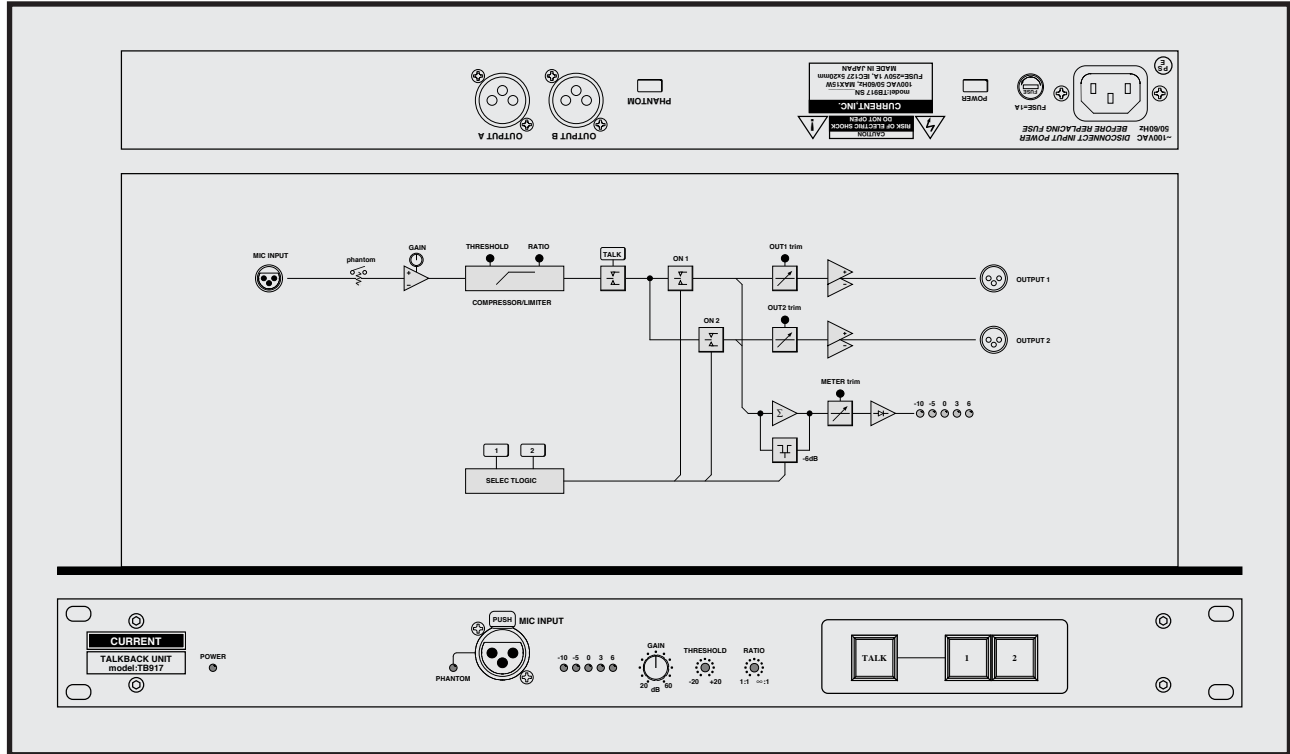


CURRENT PRODUCTS model:TB917

TALKBACK UNIT



2 system talkback
 Microphone compressor built-in
 Condenser microphone available
 Level meter
 19 inches 1U size

The optional goose neck microphone (approximately 300mm) also available.

TB917 is a talkback unit with 2 system talkback output. When it uses a condenser microphone, it can supply a phantom power supply.

"Microphone amplifier"

As for the gain of the microphone amplifier of TB917, continuous variables are possible from +20 to +60dB. In an internal circuitry, it provides very superior S/N and high-quality sound by using a component and an equivalent device using for special preamp.

"Compressor"

A compressor is built in it to improve clarity in the talkback in TB917. A threshold and the ratio of the compressor allow the most suitable setting in accord with operating environment.

"TB control"

The switch choosing 2 destinations can do ON/OFF individually and can do talkback to the route which it chose when it presses TALK.

"Meter"

It can confirm the output level with 5 points of LED.

"TB microphone"

It can use the goose neck microphone that the operability is good for XLR of the front panel. The phantom power switch of +12V for condenser microphones is implemented by rear panel.



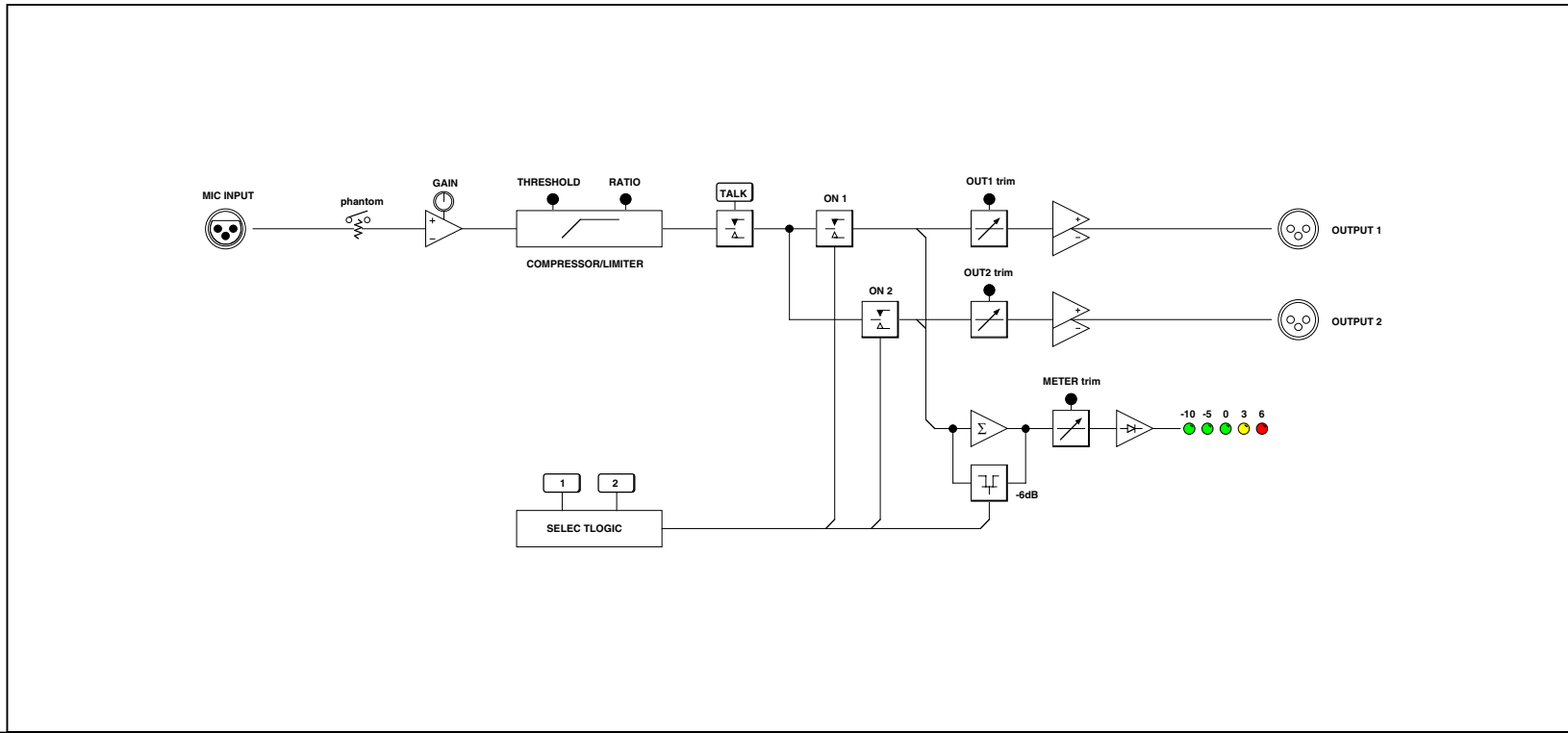
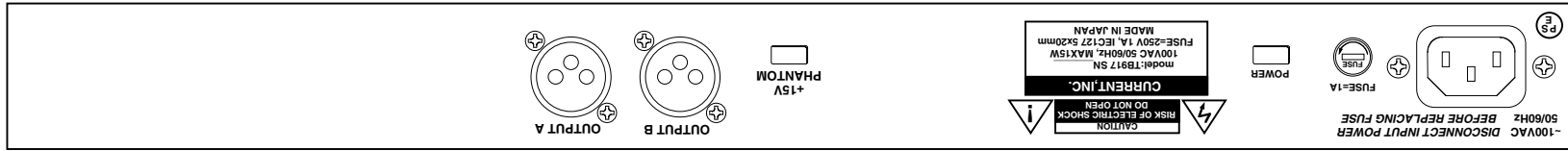
SPECIFICATIONS

- 🍏 **MIC INPUT:** BALANCED, 2kΩ, XLR3-F
- 🍏 **MIC GAIN:** +20~+60dB
- 🍏 **COMP THRESHOLD:** -20 ~ +20dB
- 🍏 **COMP RATIO:** 1:1 ~ ∞:1
- 🍏 **TB OUTPUT:** BALANCED, 50Ω, XLR3-F
- 🍏 **CONTROL:** TALK Switch, A, B
- 🍏 **DISPLAY:** 5 point LED -10, -5, 0, +3, +6 Reference Level +4dBu
- 🍏 **Phantom Power:** +12VDC
- 🍏 **DIMENSIONS:** 482Wx44Hx303D 4kg
- 🍏 **POWER:** 100VAC 50/60Hz, max 10W

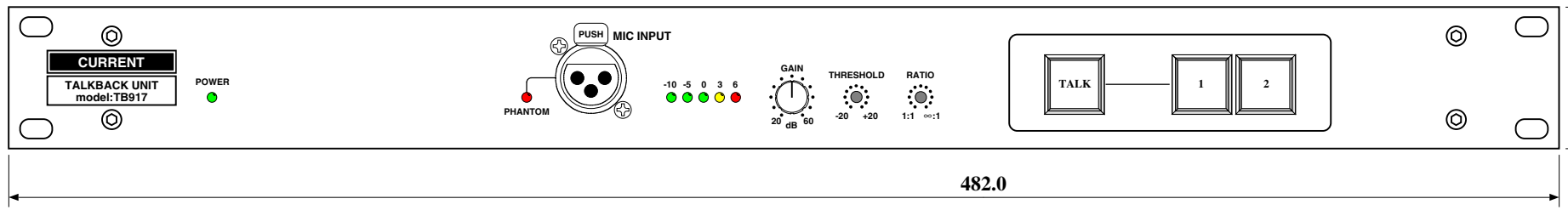
Talkback unit	TB917	¥248,000
Goose neck mic	PRO49Q	¥28,000
accessory : AC cable		

The specifications are subject to change without notice.
 2-26-11 AKATSUTSUMI, SETAGAYA-KU, TOKYO, 156-0044 JAPAN

MONITOR SYSTEM HEADPHONES AMP CUE SYSTEM COMMUNICATION TB COUGH SYSTEM MATRIX AMP AUDIO ROUTER AUDIO VIDEO SWITCHER SYSTEM SWITCHER EMERGENCY AUDIO VIDEO DISTRIBUTOR METER SYSTEM ANALOG, DIGITAL PREAMP MIXER LEVEL UNIT DIGITAL AUDIO FADER UNIT AUTO FADER TALLY FADER CLOCK, TIMER EVENT SYSTEM SPECIAL PRODUCTS ETC.



303



482.0

44.0

CURRENT, INC.	TALKBACK UNIT TB917	Dec.2007
H.ICHIHASHI	PANEL DIAGRAM	TB917-D2007