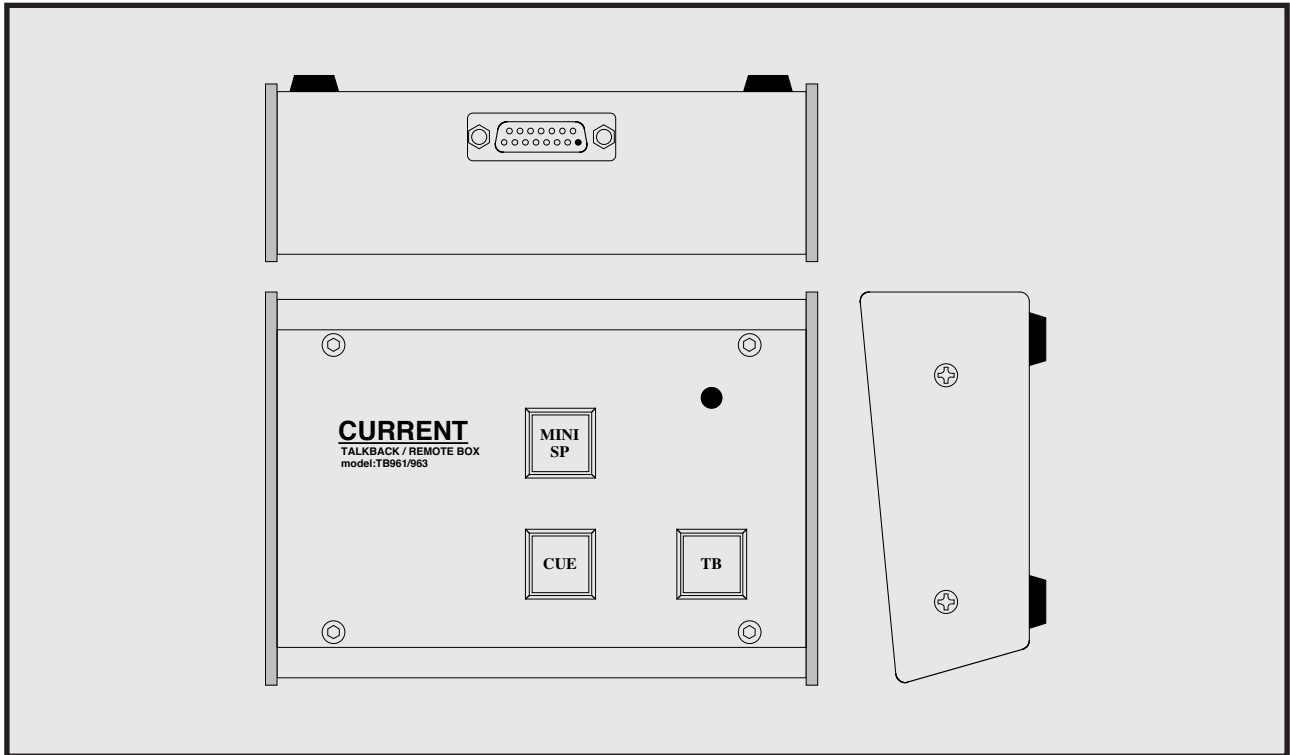


# CURRENT PRODUCTS model:TB963/G

## TALKBACK BOX



### Sophisticated design

#### Talkback microphone built-in

It can implement up to 4 switches with an option

It can be directly connected with CSP349, AF201A, AF2201, AF224

Any console is connectable

It is most suitable for talkback, CUE sign box

**TB963 is talkback/CUE sign box developed as recording, the broadcasting, post production studio business. TB and CUE and speaker select switch are mounted in TB963. (as for the speaker switch a function of AF201)**

#### "Tarry lamp"

The LED lamp of each switch of TB963 supports to DC5V - 24V. It can support in the range of DC5V - 24V in the previous version by changing internal resistance. Additionally, the tarry in the standard specifications is self illuminated, but it cuts an internal link and can turn it on by a tarry of connected equipment.

#### "Microphone"

An electret condenser microphone is built in TB963 by default, and it is not necessary to prepare a microphone for communication extra. There is the goose neck type of high-quality sound, too. When it connects a microphone amplifier for external talkback to the console which does not have directly, a microphone amplifier prepares extra or requires interface such as AF201A.

#### "Others"

There are a standard built-in microphone type and goose neck type in TB963. Additionally, it can attach the switch to up to 4 with an option.

Please refer about 48V phantom power support or the microphone amplifier built-in



TB963G Gooseneck model

specifications.

#### "Attention about the wiring"

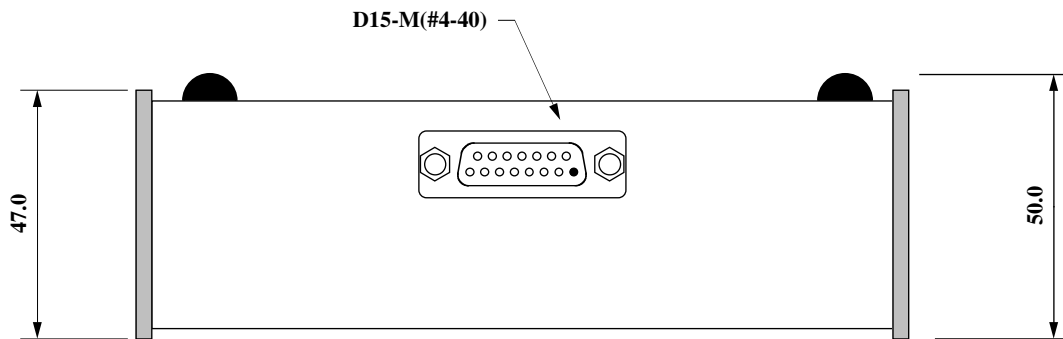
Please connect the microphone line using 2 core shield cable for prevention of noise by all means.

DSUB15-M (#4-40)	
01	09
02 LP COM	10 SW COM
03 TB SW	11 (TB LP)
04 CUE SW	12 (CUE LP)
05 MINI SW	13 (MINI LP)
06	14
07 MIC +5V(hot)	15 MIC sig(cold)
08 MIC GND	

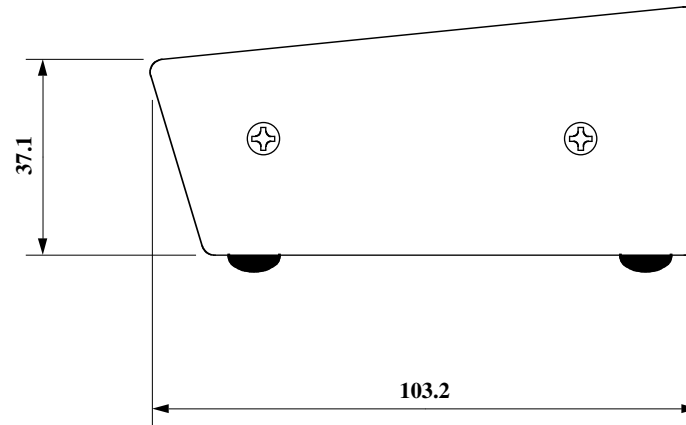
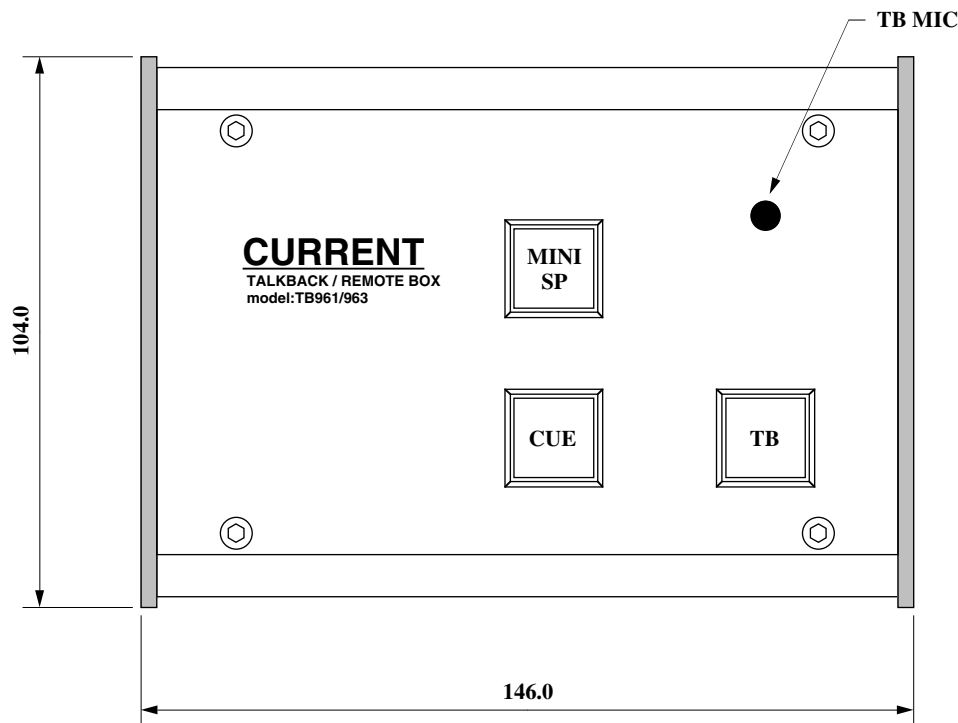
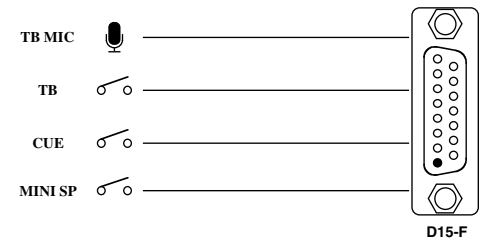
### SPECIFICATIONS

- 🍏 **TB SWITCH:** MOMENTARY, MAKE CONTACT
- 🍏 **CUE SWITCH:** MOMENTARY, MAKE CONTACT
- 🍏 **MINI SWITCH:** ALTERNATE, MAKE CONTACT
- 🍏 **BUILT-IN MIC:** ECM or GOOSENECK
- 🍏 **TALLY LED:** 5~24VDC
- 🍏 **TALLY CURRENT:** approx. 5mA
- 🍏 **SWITCH CONTACT RATING:** 24VDC 50mA
- 🍏 **CONNECTOR:** Dsub15-M (#4-40)
- 🍏 **POWER:** +5VDC for mic
- 🍏 **DIMENSIONS:** 146Wx47Hx104D 0.5kg

Talkback box	TB963	¥68,000
Talkback box	TB963G	¥99,000
Talkback box	TB963G30	¥104,000
Talkback box	TB963-48	¥76,000
Talkback box	TB963G-48	¥122,000
Talkback box	TB963G30-48	¥126,000
	accessory : None	

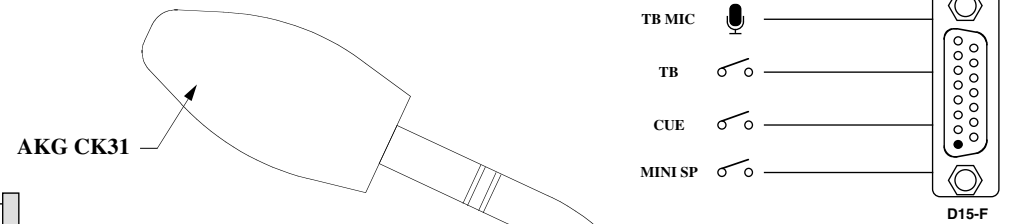
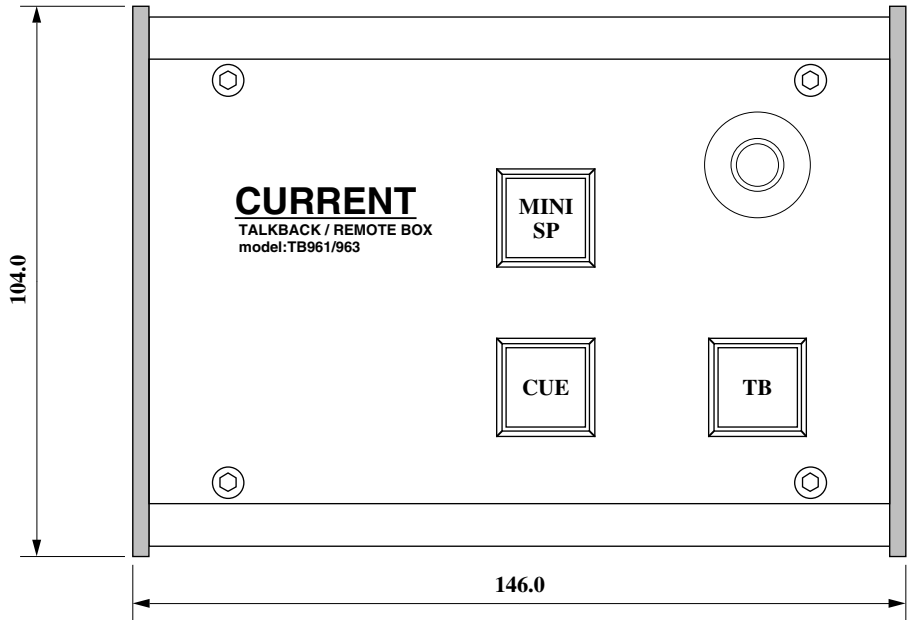
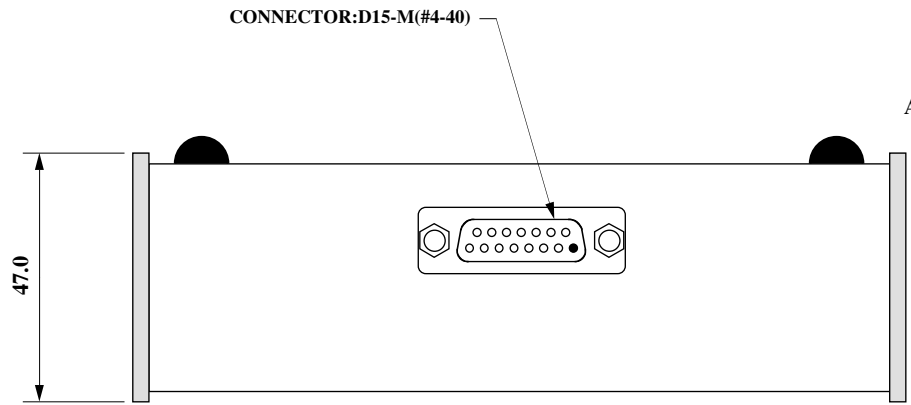


Dsub15-M #4-40	
01	09
02 LP COM +5 to +24V	10 SW COM 0V
03 TB SW	11
04 CUE SW	12
05 MINI SW (TB963/G)	13
06	14
07 MIC +5V (hot)	15 MIC signal (cold)
08 MIC GND	



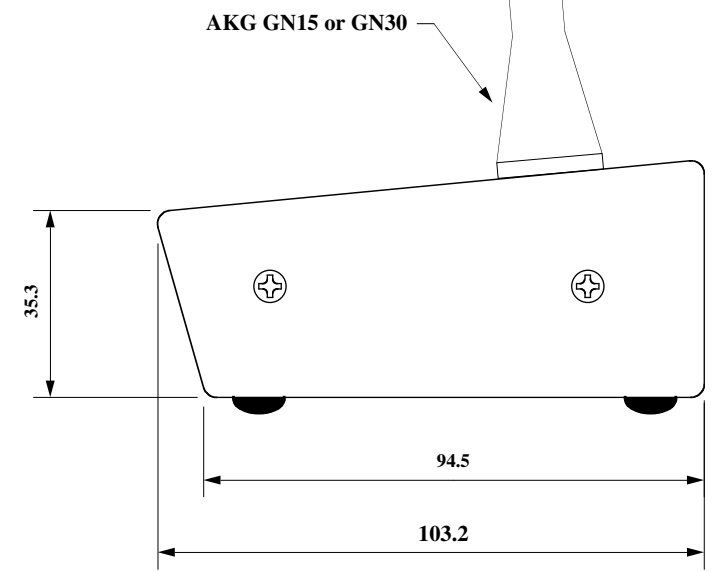
May.2007  
Apr.2003

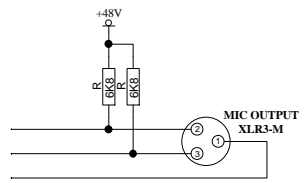
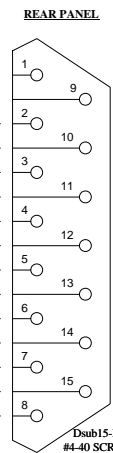
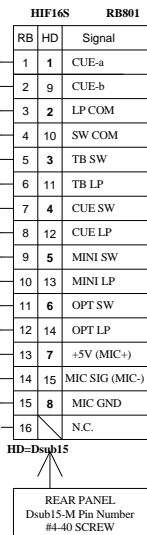
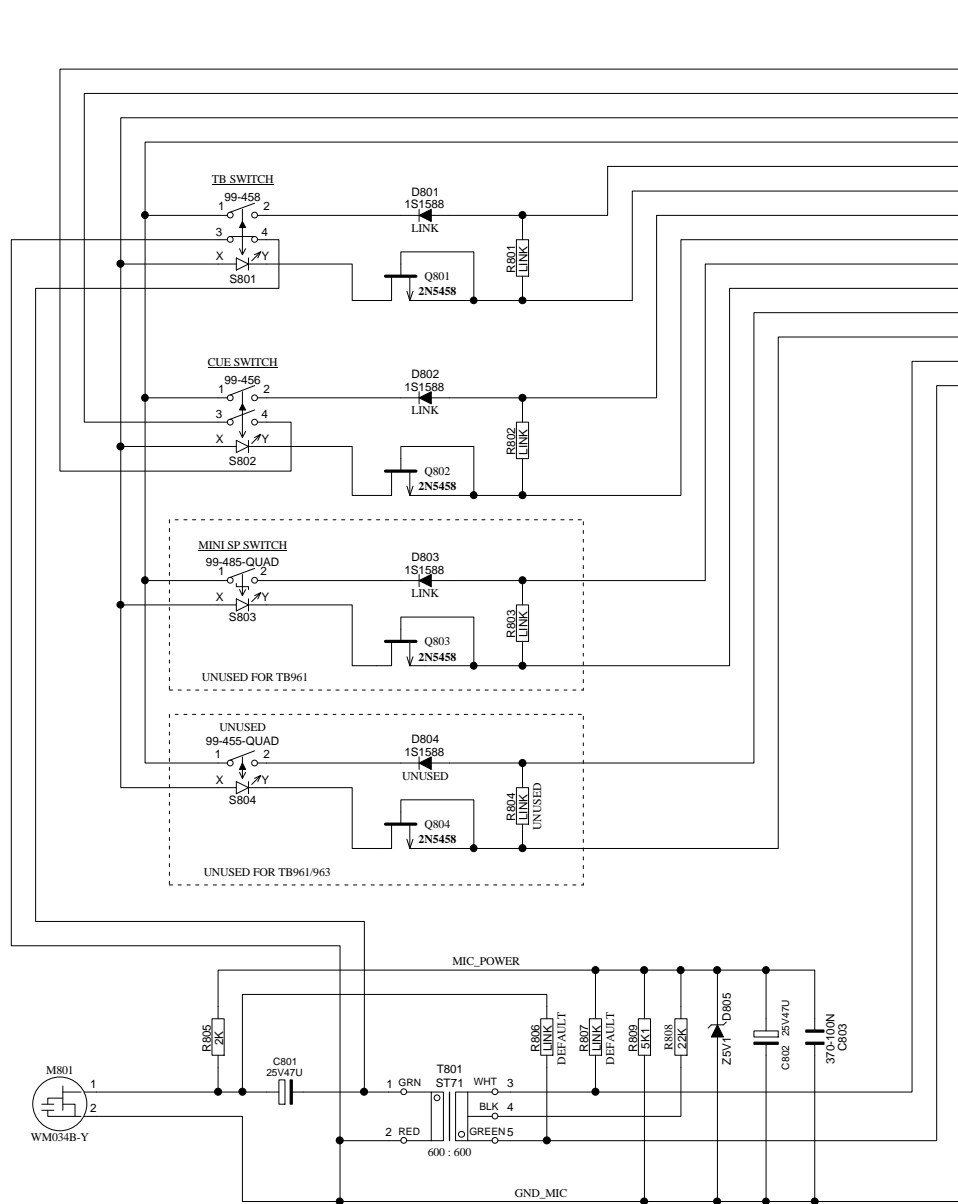
(c)CURRENT,INC.	TALKBACK BOX TB963	Jul.1995
H.ICHIHASHI	PANEL DIAGRAM	TB963-D2007



Dsub15-M #4-40

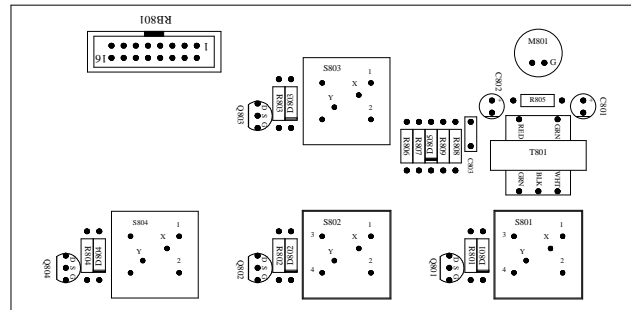
01	09
02 LP COM +5 to +24V	10 SW COM 0V
03 TB SW	11
04 CUE SW	12
05 MINI SW (TB963/G)	13
06	14
07 MIC +5V (hot)	15 MIC signal(cold)
08 MIC GND	





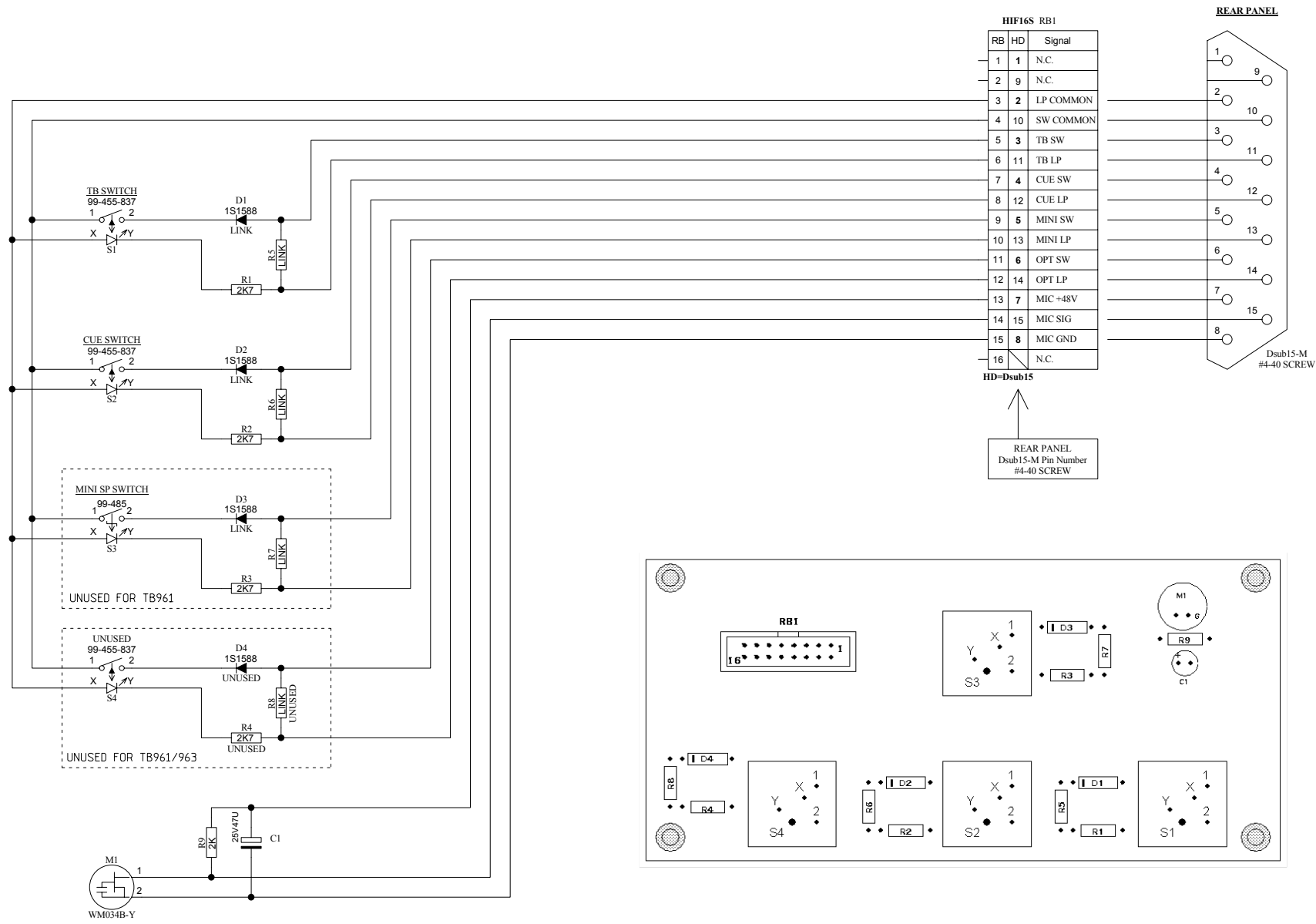
NOT MOUNTED

	TB961	TB961G	TB961-48	TB961G-48	TB963	TB963G	TB963-48	TB963G-48
S801, D801, R801, Q801								
S802, D802, R802, Q802								
S803, D803, R803, Q803								
S804, D804, R804, Q804								
C801								
T801								
D805								
R805, R806, R807								
R808								
R809								
M801								



# TB961/963

(c)CURRENT,INC.	TB961/963 TALKBACK BOX	SEP.2007
H.ICHIHASHI	1.100.203	1 OF 1



This is old circuit board version