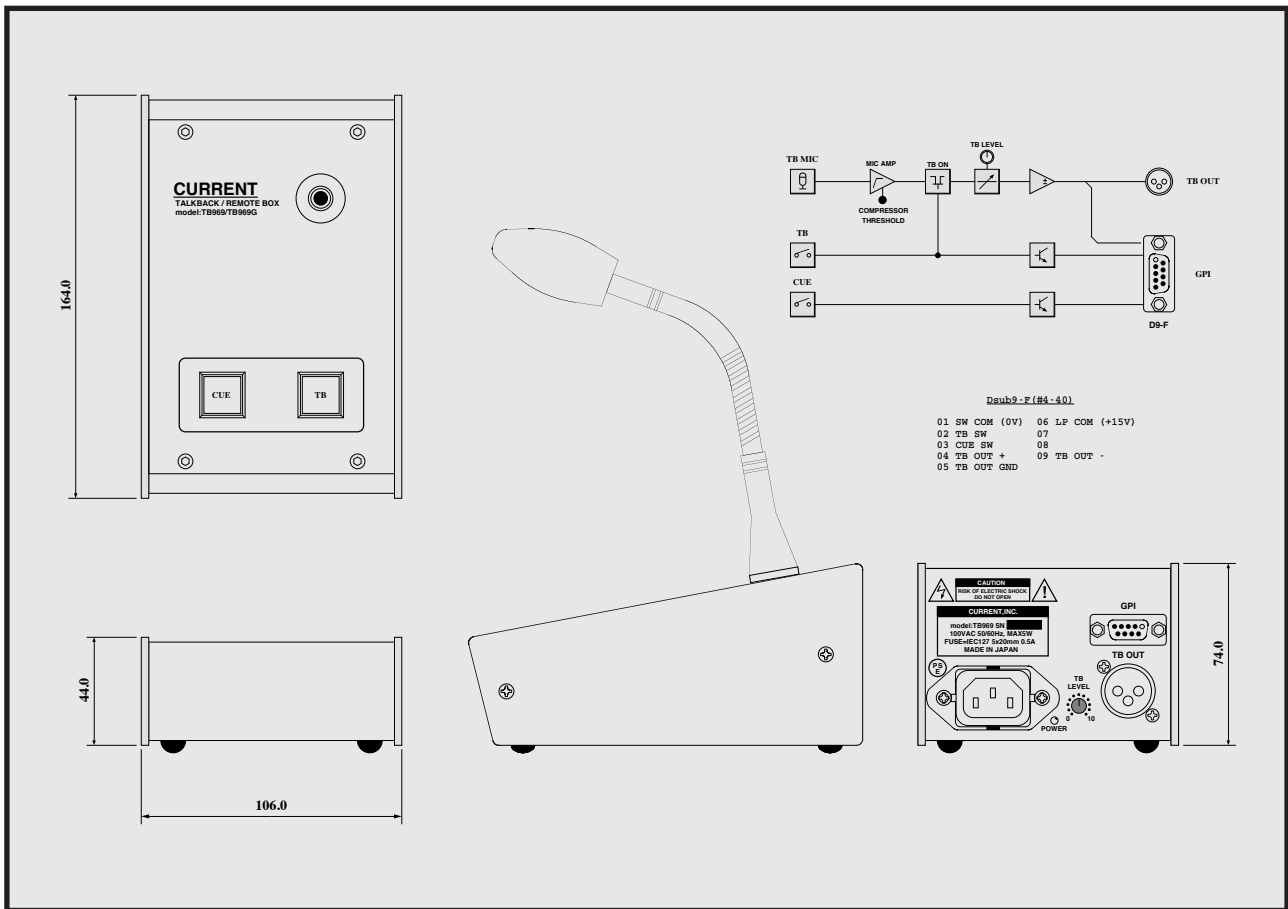


CURRENT PRODUCTS model:TB969

TALKBACK BOX



Talkback box
 Power supply built-in, all-in-one
 TB and CUE
 Built-in or goose neck

TB969 is the TB box which it can use alone. It does not need the installation work for the all in one type that a power supply is built in. A TB signal is output by XLR connector just to press the TB button. Microphone compressor is built in it and provides the communication environment where the clarity is high.

"Function"

It is equipped with the CUE button other than talkback and uses it for CUE lamp and can use it as a trigger purpose of the Other equipment.

"GPI"

A TB command, CUE command and TB audio signal are output, and, please use it depending on a system.

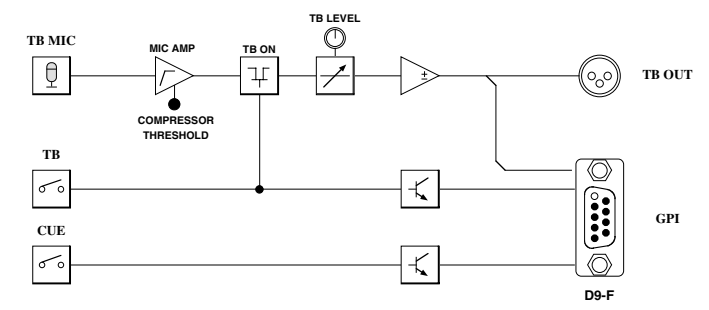
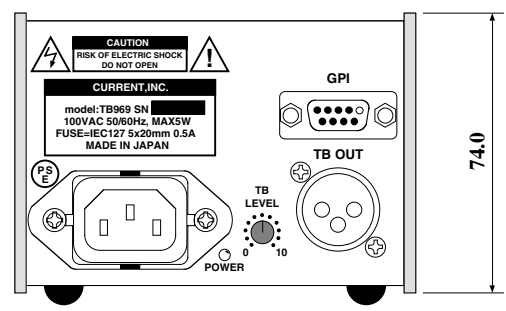
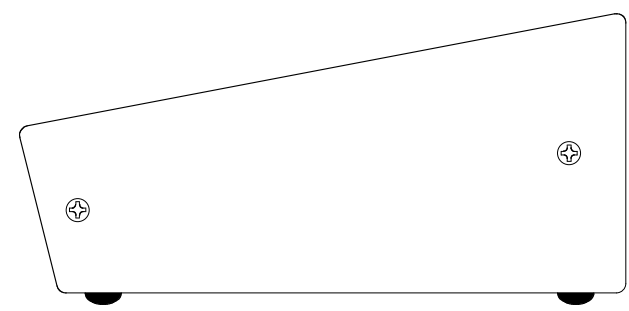
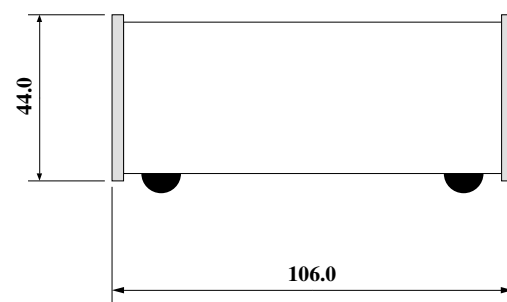
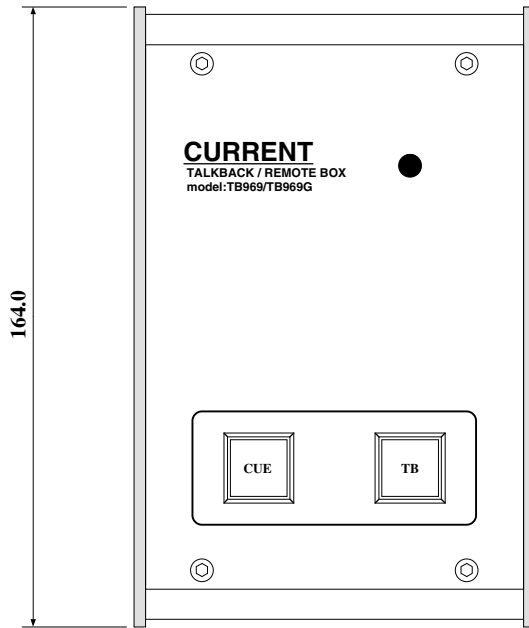
"Others"

It can choose TB969 of the built-in microphone, TB969G15 (15cm) of the goose neck microphone type or TB969G30 (30cm).

SPECIFICATIONS

- 🍏 **TB OUTPUT:** BALANCED, 50Ω, XLR3-M
- 🍏 **MIC GAIN:** +20--+60dB
- 🍏 **GPI:** Dsub-9F (#4-40), open collector
- 🍏 **CONTROL:** TB, CUE
- 🍏 **POWER:** 100VAC 50/60Hz, max 5W
- 🍏 **DIMENSIONS:** 106Wx74Hx164D 1kg

Talkback box	TB969	¥160,000
Talkback box	TB969G15	¥195,000
Talkback box	TB969G30	¥198,000
accessory : AC cable		

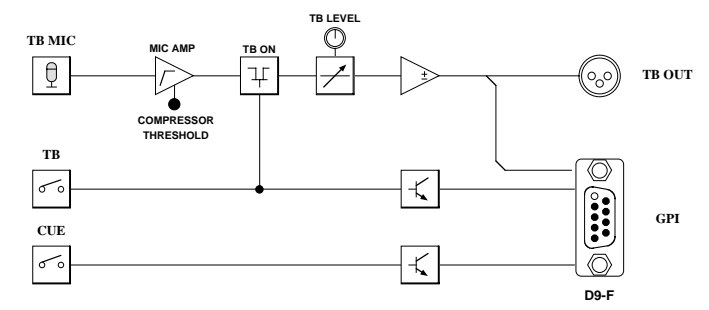
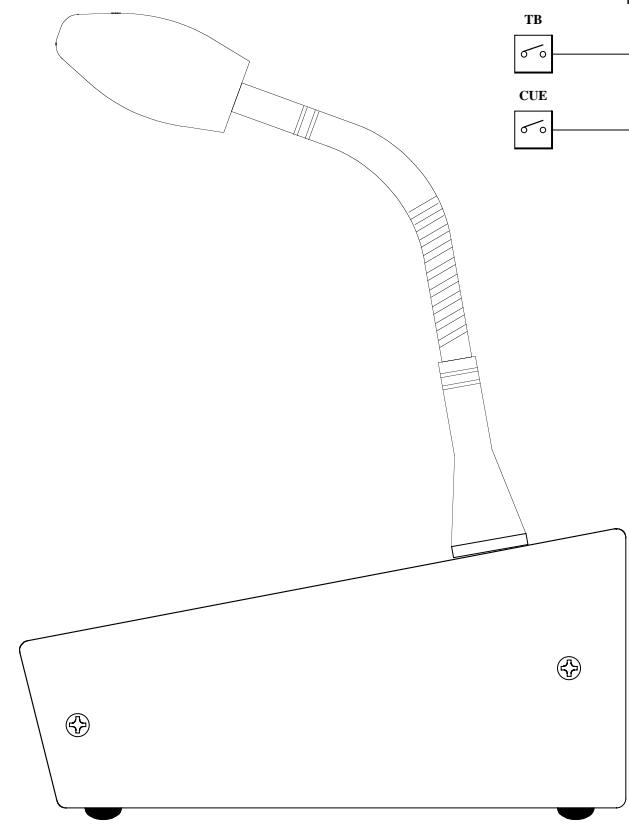
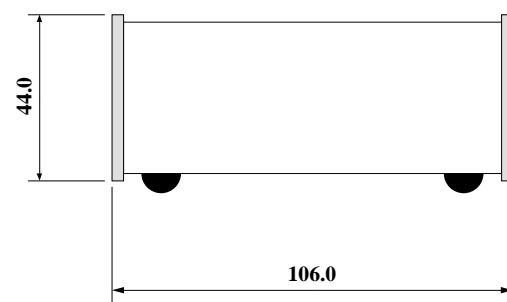
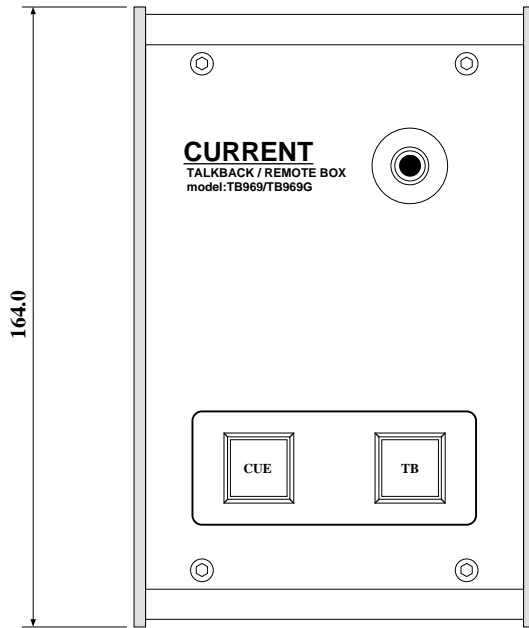


Dsub9-F (#4-40)

01 SW COM (0V)	06 LP COM (+15V)
02 TB SW	07
03 CUE SW	08
04 TB OUT +	09 TB OUT -
05 TB OUT GND	

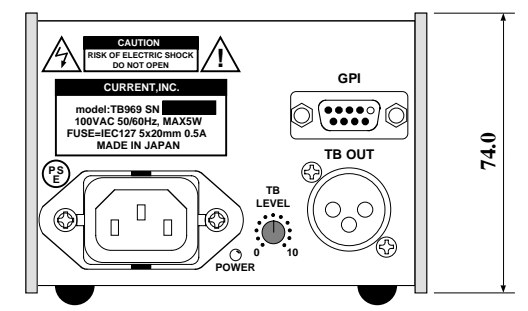
TB969
Built-in microphone

(c)CURRENT,INC.	TB969 TALKBACK BOX	Nov.2008
H. ICHIHASHI	PANEL DIAGRAM	TB969-D



Dsub9-F (#4-40)

01 SW COM (0V)	06 LP COM (+15V)
02 TB SW	07
03 CUE SW	08
04 TB OUT +	09 TB OUT -
05 TB OUT GND	



TB969G
Goose-neck microphone (15cm)

(c)CURRENT,INC.	TB969G TALKBACK BOX	Nov.2008
H. ICHIHASHI	PANEL DIAGRAM	TB969G-D