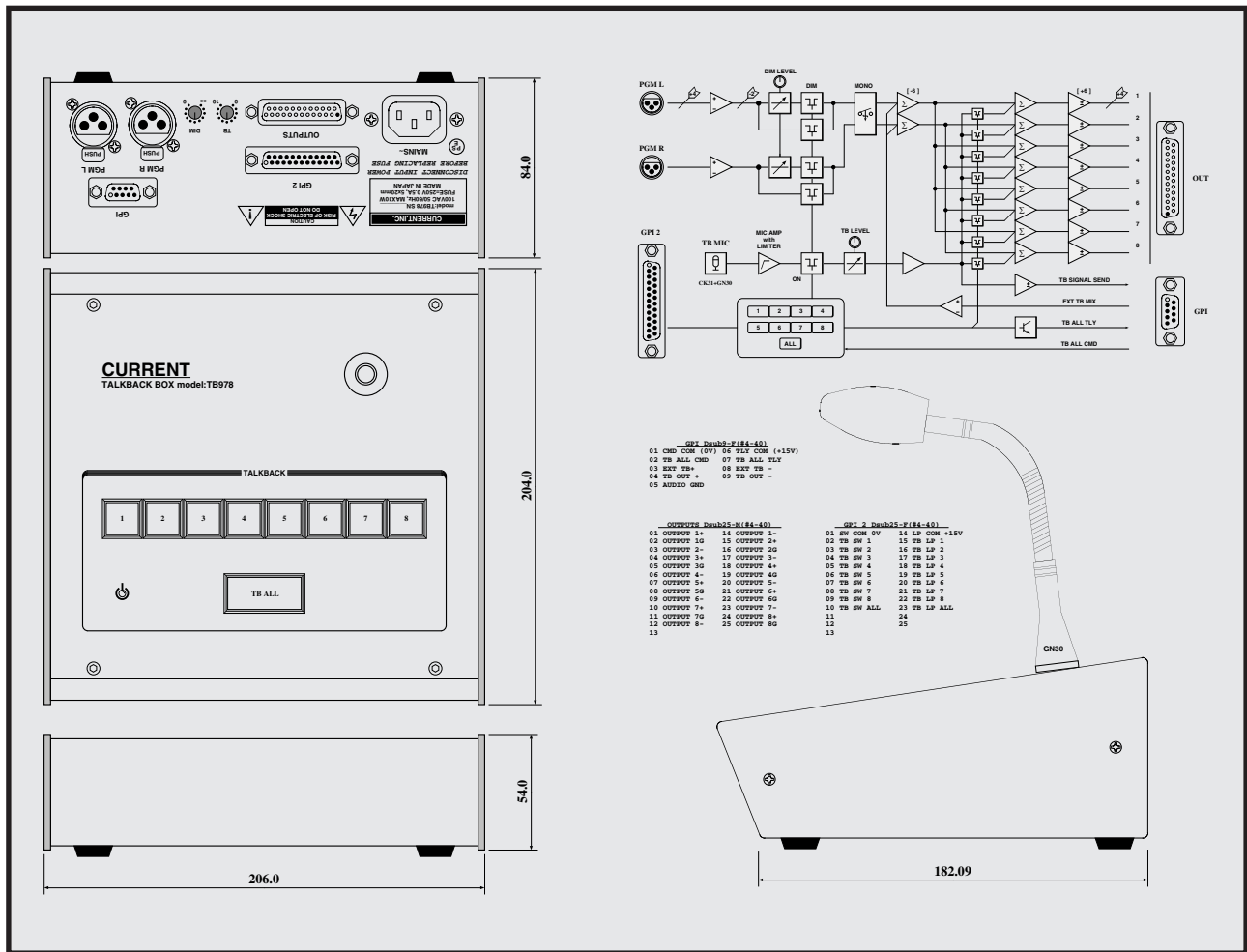


# CURRENT PRODUCTS model:TB978

## TALKBACK BOX



- Multi talkback box
- 8 channel output
- All-in-one of the power supply built-in
- TB mix from ext
- The external control is possible
- Goose neck microphone

**TB978 is the multi-output TB box which it can use alone. It does not need the installation work for the all in one type that a power supply is built in. It can make talkback to the output of 8 channel individually or simultaneously. It implements a GPI port, and the external control is possible, too. Moreover, it provides the communication environment of the high clarity by a microphone with a built-in compressor.**

### "Program"

As for the stereo input source, it is mixed by default mono with internal switch setting. With the stereo mode, an odd corresponds to the L output, and an even corresponds to the R output. In this case, it is necessary to change the specifications of the TB switch because it is the output configuration of 4 stereo channel.

### "TB"

It mixes a talkback signal with a program source, and the output of any

8 channel can output it individually. With 'TB ALL' button, all channel can output it simultaneously. It can set a program DIM level and the TB level in the TB by trim of the rear panel.

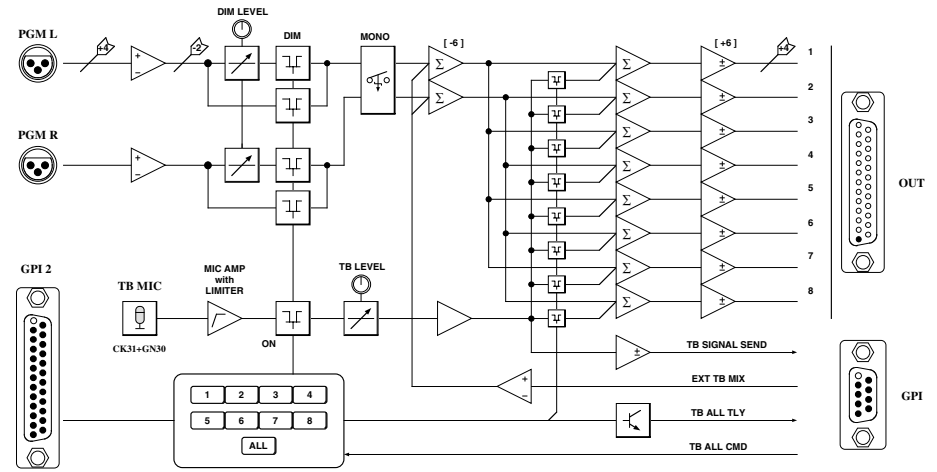
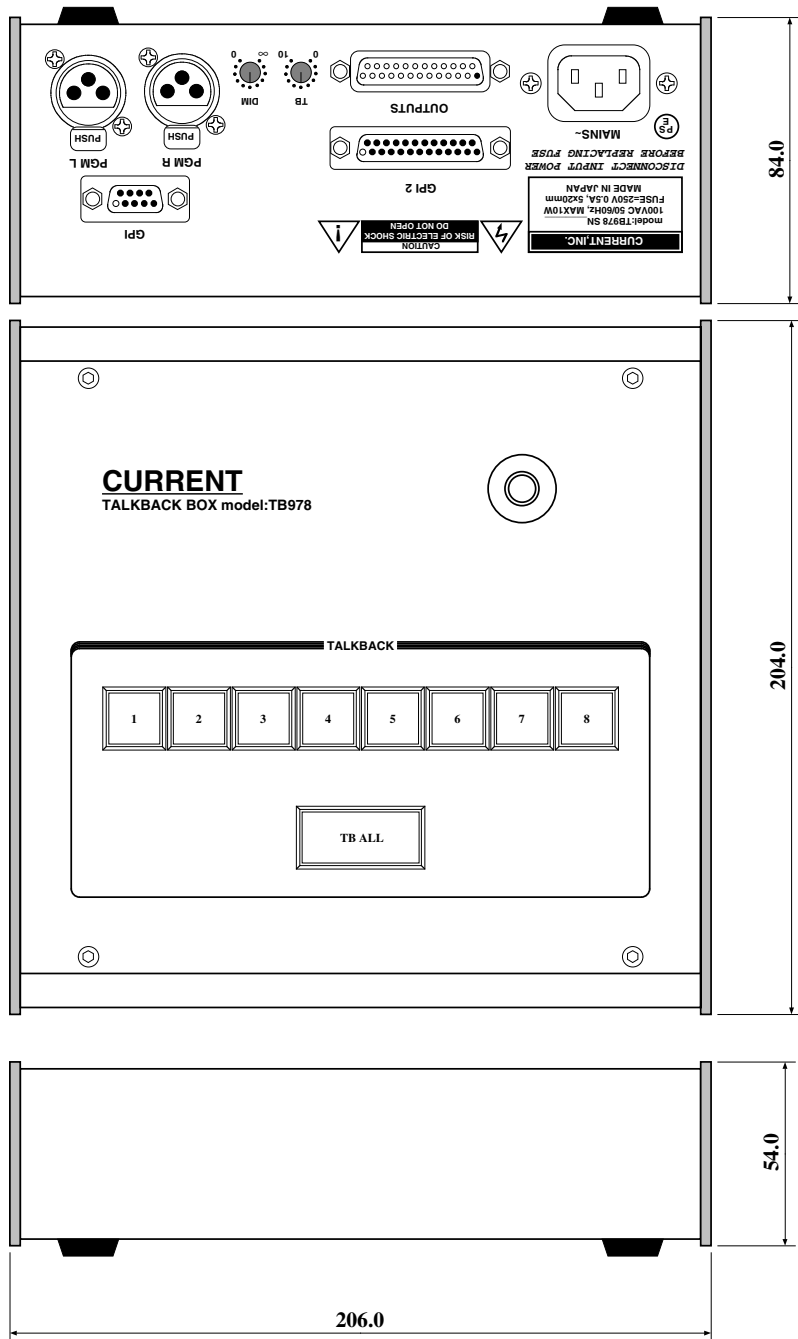
### "GPI"

'TB ALL' command, a tally and a TB signal are output to a GPI port of the rear panel, and there is the TB signal input to mix TB source from external. In addition, the parallel remote signal of the panel is output in GPI2.

## SPECIFICATIONS

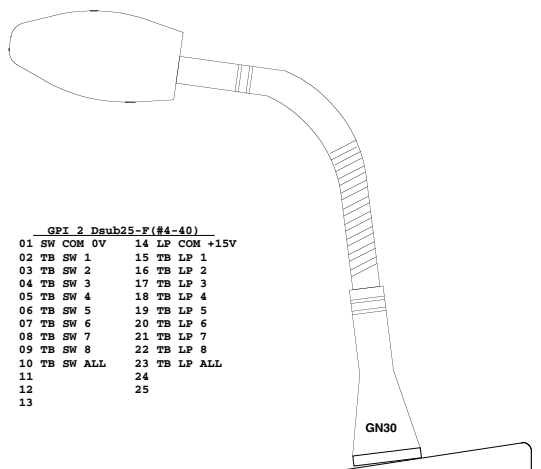
- PGM INPUTS: STEREO, BALANCED, 12kΩ, XLR3-F
- MIC: AKG CK31+GN30
- MIC GAIN: 0~+60dB automatic
- CONTROL: TB 1-8, TB ALL
- POWER: 100VAC 50/60Hz, max 10W
- DIMENSIONS: 206Wx84Hx204D 2kg

Order number: TB978 ¥480,000  
accessory : AC cable

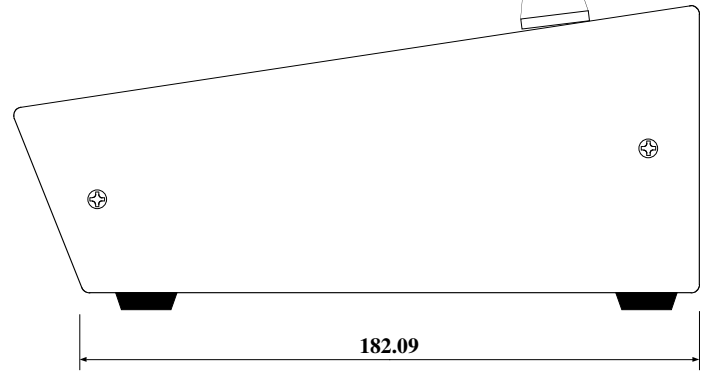


- GPI Dsub9-F(#4-40)
- 01 CMD COM (0V) 06 TLY COM (+15V)
  - 02 TB ALL CMD 07 TB ALL TLY
  - 03 EXT TB+ 08 EXT TB -
  - 04 TB OUT + 09 TB OUT -
  - 05 AUDIO GND

- OUTPUTS Dsub25-M(#4-40)
- 01 OUTPUT 1+ 14 OUTPUT 1-
  - 02 OUTPUT 1G 15 OUTPUT 2+
  - 03 OUTPUT 2- 16 OUTPUT 2G
  - 04 OUTPUT 3+ 17 OUTPUT 3-
  - 05 OUTPUT 3G 18 OUTPUT 4+
  - 06 OUTPUT 4- 19 OUTPUT 4G
  - 07 OUTPUT 5+ 20 OUTPUT 5-
  - 08 OUTPUT 5G 21 OUTPUT 6+
  - 09 OUTPUT 6- 22 OUTPUT 6G
  - 10 OUTPUT 7+ 23 OUTPUT 7-
  - 11 OUTPUT 7G 24 OUTPUT 8+
  - 12 OUTPUT 8- 25 OUTPUT 8G
  - 13



- GPI 2 Dsub25-F(#4-40)
- 01 SW COM 0V 14 LP COM +15V
  - 02 TB SW 1 15 TB LP 1
  - 03 TB SW 2 16 TB LP 2
  - 04 TB SW 3 17 TB LP 3
  - 05 TB SW 4 18 TB LP 4
  - 06 TB SW 5 19 TB LP 5
  - 07 TB SW 6 20 TB LP 6
  - 08 TB SW 7 21 TB LP 7
  - 09 TB SW 8 22 TB LP 8
  - 10 TB SW ALL 23 TB LP ALL
  - 11 24
  - 12 25
  - 13



(c)CURRENT,INC.	TALKBACK BOX TB978	Jul.2012
H.ICHIHASHI	PANEL DIAGRAM	TB978-D